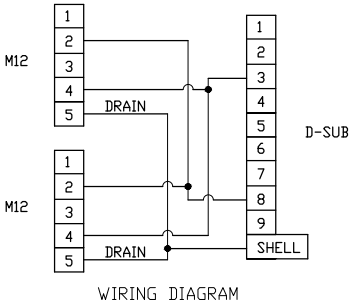
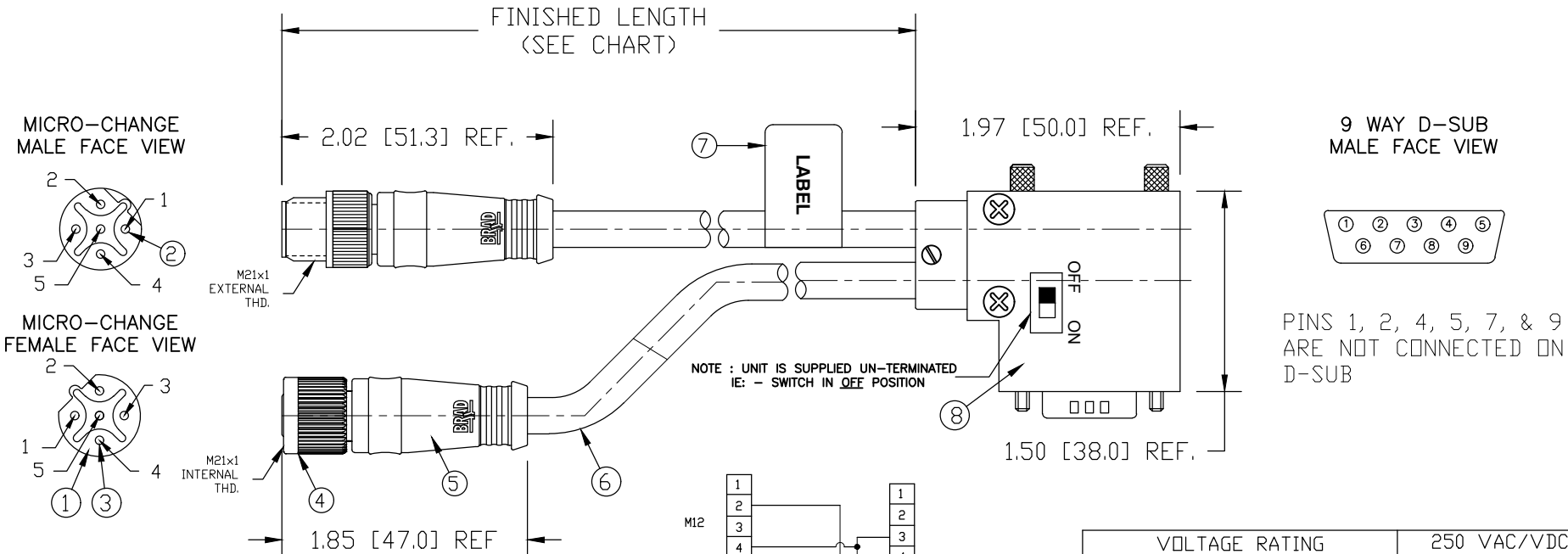


MATERIAL NUMBER	ENGINEERING NUMBER	FINISHED LENGTH
1200980051	BM5G72PP4M010	1.0M +55.6mm -0 [3.28' +2.19" -0]
1200980053	BM5G72PP4M050	5.0M +165.1mm -0 [16.40' +6.50" -0]



VOLTAGE RATING	250 VAC/VDC
AMPERAGE RATING	4 AMPS
PROTECTION FOR M12 CONNECTOR	IP67
PROTECTION FOR D-SUB	IP40
OPERATING TEMPERATURE - M12 HEAD	-20°C TO 80°C
OPERATING TEMPERATURE - D-SUB	0°C TO 60°C

ITEM	COMPONENT	MATERIAL	FINISH
1	M12 INSERT	NYLON	BLACK
2	CONTACT PIN	COPPER ALLOY	GOLD OVER NICKEL
3	CONTACT SOCKET	COPPER ALLOY	GOLD OVER NICKEL
4	COUPLING NUT	BRASS	NICKEL PLATED
5	OVERMOLD	PUR	YELLOW
6	CABLE- 24 AWG, COPPER STRANDING, TWISTED PAIR, SHIELD WITH BRAID	PUR	PURPLE
7	LABEL	MLYAR	BLACK/YELLOW
8	D-SUB	ABS	BLACK

THIS DRAWING CONTAINS INFORMATION THAT IS PROPRIETARY TO MOLEX ELECTRONIC TECHNOLOGIES, LLC AND SHOULD NOT BE USED WITHOUT WRITTEN PERMISSION

FUNCTIONAL SYMBOLS	DIMENSION UNITS	SCALE	CURRENT REV DESC: CHANGE WIRE GAUGE FROM 22AWG
$F_A=0$	INCH/MM	1:1	
$F_C=0$	GENERAL TOLERANCES (UNLESS SPECIFIED)		EC NO: 639089
$F_P=0$	mm	INCH	DRWN: CCHRSTKA 2020/06/05
DIVISIONAL SYMBOLS	4 PLACES ±----	±----	CHK'D: MZIELINSKI 2020/06/08
	3 PLACES ±----	±----	APPR: BWOODMAN 2020/06/11
	2 PLACES ±----	±----	INITIAL REVISION:
	1 PLACE ±----	±----	DRWN: LHARTMAN 2009/08/27
	0 PLACES ±----	±----	APPR: JFMURPHY 2009/08/28
	ANGULAR TOL ± °----		
	DRAFT WHERE APPLICABLE MUST REMAIN WITHIN DIMENSIONS	THIRD ANGLE PROJECTION	DRAWING A-SIZE
		SERIES 120098	MATERIAL NUMBER SEE TABLE
		CUSTOMER GENERAL MARKET	SHEET NUMBER 1 OF 1

molex

MICRO-CHANGE PROFIBUS
5P MA/FE REV KEY - D-SUB #24/2 SHLD PURPLE PUR

PRODUCT CUSTOMER DRAWING

DOCUMENT NUMBER: SD-120098-018
DOC TYPE: PSD
DOC PART: 001
REVISION: B