

ISL8215M

15A 42V Single-Channel DC/DC Step-Down Power Module

FN8878  
Rev.2.00  
Nov 26, 2018

The [ISL8215M](#) power module is a single-channel, synchronous step-down, non-isolated complete power supply, capable of delivering up to 15A of continuous current. Operating from a single 7V to 42V wide input power rail and integrating the controller, power inductor, and MOSFETs, the ISL8215M requires only a few external components to operate and is optimized for space constrained applications.

The ISL8215M is based on a valley current mode PWM control scheme and provides fast transient response and excellent loop stability. It offers an adjustable output voltage range of 0.6V to 12V with better than 1.5% accuracy over line, load, and temperature. A 40ns typical minimum on-time and an adjustable operating frequency allow it to support low duty cycle, single-step down conversions to point-of-load voltages and its operating frequency can also be synchronized with an external clock signal. The ISL8215M implements a selectable Pulse Skipping Mode (PSM) with Diode Emulation Mode (DEM) to improve light-load efficiency for battery related applications. A programmable soft-start reduces the inrush current from the input supply while a dedicated enable pin and power-good flag allow for easy system power rails sequencing with voltage tracking capability. Excellent efficiency and low thermal resistance permit full power operation without heatsinks.

Input Undervoltage Lockout (UVLO), over-temperature, programmable overcurrent, output overvoltage, and output prebias start-up protections ensure safe operations under abnormal operating conditions.

The ISL8215M is available in a compact RoHS compliant thermally-enhanced 19mmx13mmx5.3mm HDA package.

Features

- 15A single-channel complete power supply
  - Integrates controller, MOSFETs, and inductor
- 7V to 42V wide input voltage range
- Adjustable output voltage
  - 0.6V to 12V wide output voltage range
  - 40ns on-time low duty cycle conversion capable
  - ±1.5% accuracy over line, load, and temperature
  - Up to 96.5% efficiency
- 300kHz to 2MHz adjustable PWM operations
  - External synchronization up to 1MHz
  - Selectable light-load PSM/DEM efficiency mode
- Enable pin and power-good flag
- Programmable soft-start or voltage tracking
- Complete protection
  - UVLO, programmable overcurrent, overvoltage, and over-temperature
  - Prebias output start-up
- 19mm x 13mm x 5.3mm HDA package

Applications

- Industrial and medical equipment
- Aftermarket automotive
- Telecom and datacom equipment

Related Literature

For a full list of related documents, visit our website:

- [ISL8215M](#) product page

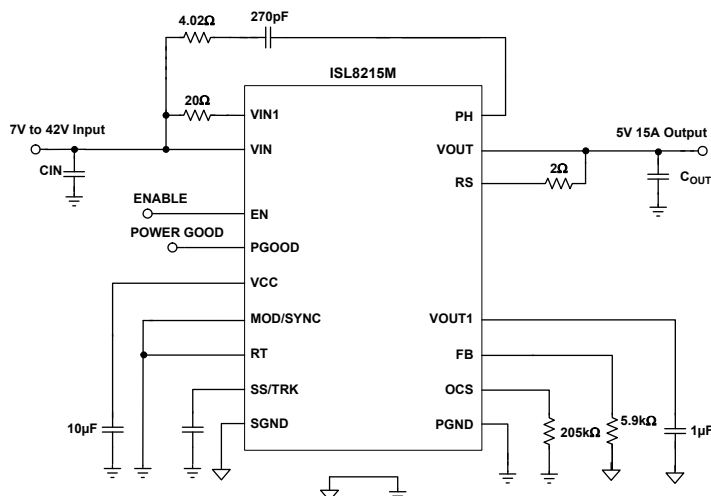


Figure 1. Typical Application Circuit

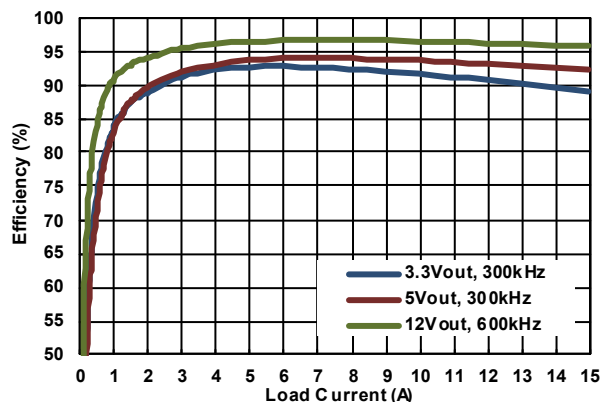


Figure 2.  $V_{IN} = 24V$

## Contents

<b>1. Overview</b>	<b>4</b>
1.1 Typical Application Circuits	4
1.2 Block Diagram	6
1.3 Ordering Information	7
1.4 Pin Configuration	7
1.5 Pin Descriptions	7
<b>2. Specifications</b>	<b>10</b>
2.1 Absolute Maximum Ratings	10
2.2 Thermal Information	10
2.3 Recommended Operating Conditions	10
2.4 Electrical Specifications	11
<b>3. Typical Performance Curves</b>	<b>14</b>
3.1 Efficiency Performance	14
3.2 Output Voltage Ripple	15
3.3 Load Transient Response Performance	16
3.4 Start-Up Waveforms	17
3.5 Derating	18
<b>4. Functional Description</b>	<b>19</b>
4.1 Power-Good Indicator	19
4.2 Self-Enable Operation	19
4.3 Enable	20
4.4 Prebiased Power-Up	20
4.5 PWM/CCM Mode	20
4.6 PSM/DEM Light-Load Efficiency Mode	20
4.7 Internal 5V Linear Regulator (VCC)	20
4.8 Gate Control Logic Optimization	20
<b>5. Application Information</b>	<b>21</b>
5.1 Output Voltage Programming	21
5.2 Switching Frequency Selection	21
5.3 External Frequency Synchronization	22
5.4 Soft-Start Operation	22
5.5 Tracking Operation	23
5.6 Input Voltage Range	25
5.7 Input Capacitor Selection	25
5.8 Output Capacitor Selection	25
<b>6. Protection Circuits</b>	<b>27</b>
6.1 Undervoltage Lockout (UVLO)	27
6.2 Overcurrent Protection	27

6.3 Overvoltage Protection . . . . . 28

6.4 Over-Temperature Protection . . . . . 28

**7. Layout Guidelines . . . . . 29**

7.1 Layout Considerations . . . . . 29

**8. Thermal Considerations . . . . . 31**

**9. Package Description . . . . . 32**

9.1 PCB Layout Pattern Design . . . . . 32

9.2 Thermal Vias . . . . . 32

9.3 Stencil Pattern Design . . . . . 32

9.4 Reflow Parameters . . . . . 33

**10. Revision History . . . . . 34**

**11. Package Outline Drawing . . . . . 35**

# 1. Overview

## 1.1 Typical Application Circuits

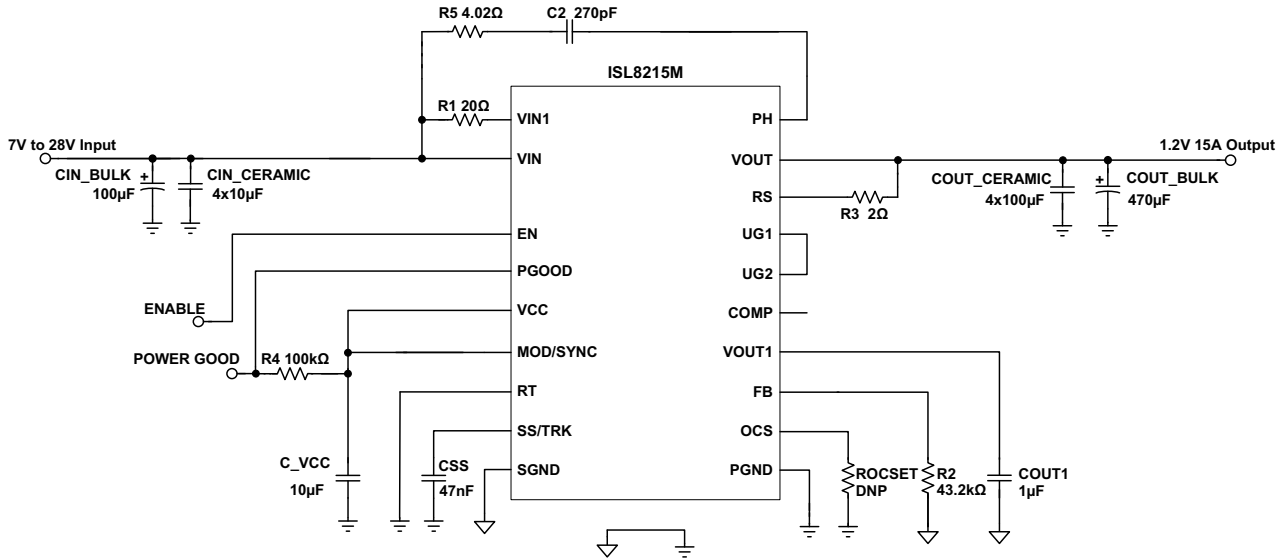


Figure 3.  $V_{OUT} = 1.2V$ ,  $f_{SW} = 300kHz$ , Light-Load Mode,  $t_{SS} = 15ms$

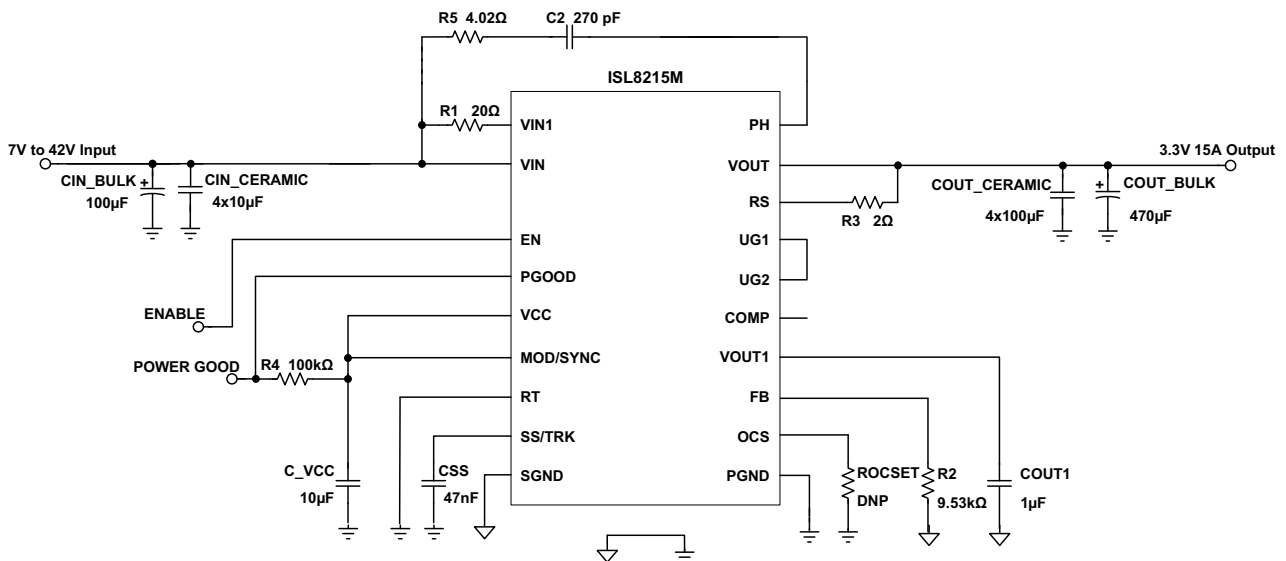


Figure 4.  $V_{OUT} = 3.3V$ ,  $f_{SW} = 300kHz$ , Light-Load Mode,  $t_{SS} = 15ms$

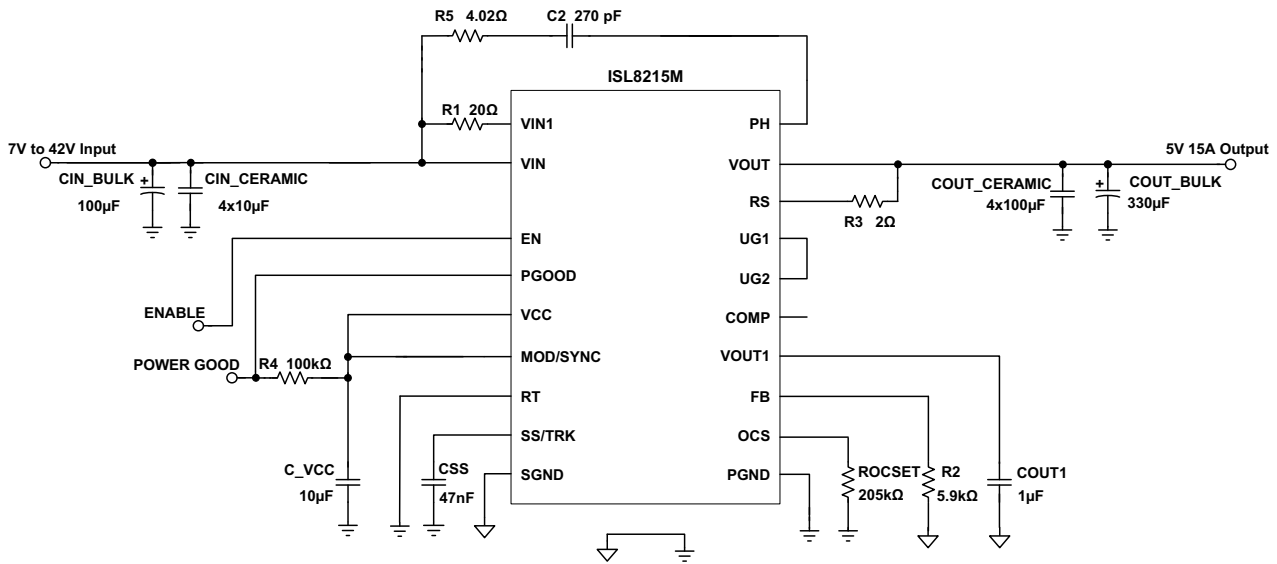


Figure 5.  $V_{OUT} = 5V$ ,  $f_{SW} = 300kHz$ , Light-Load Mode,  $t_{SS} = 15ms$

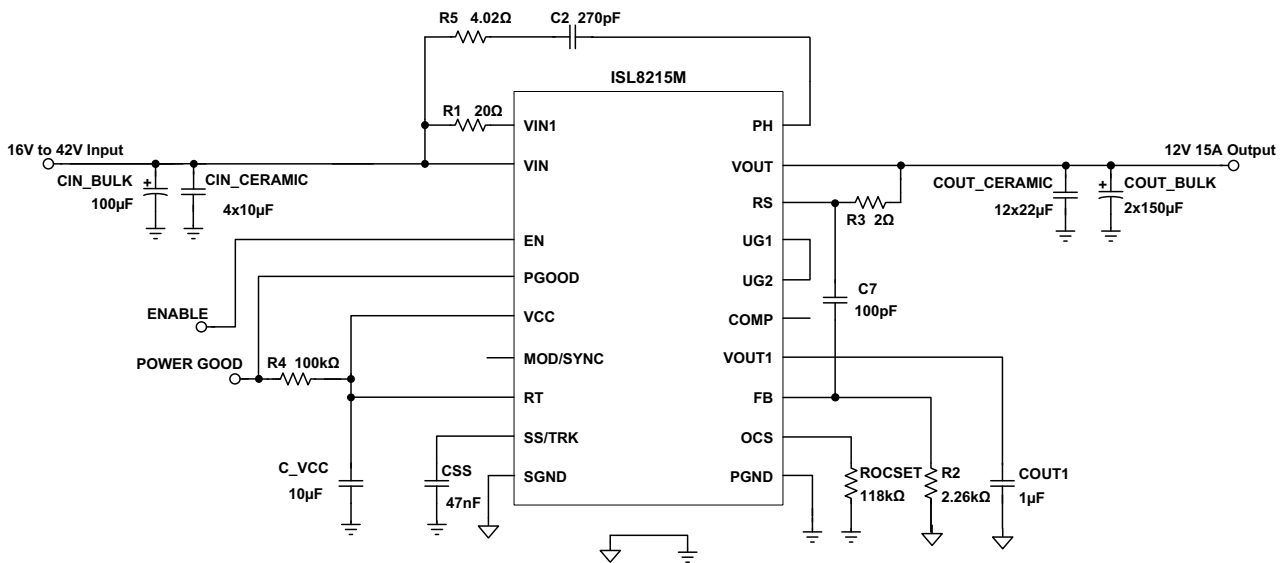


Figure 6.  $V_{OUT} = 12V$ ,  $f_{SW} = 600kHz$ , PWM Only,  $t_{SS} = 15ms$

## 1.2 Block Diagram

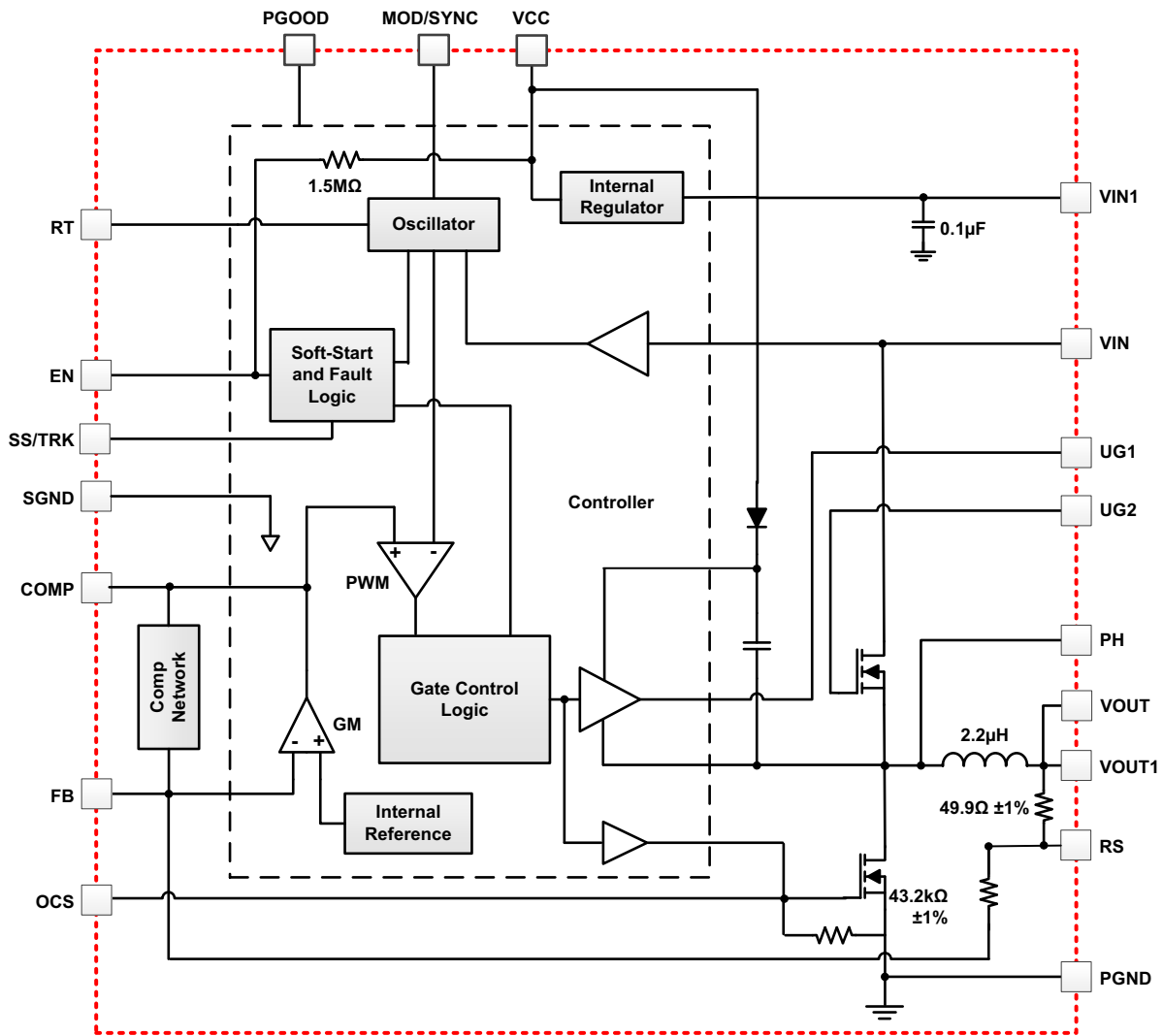


Figure 7. Block Diagram

### 1.3 Ordering Information

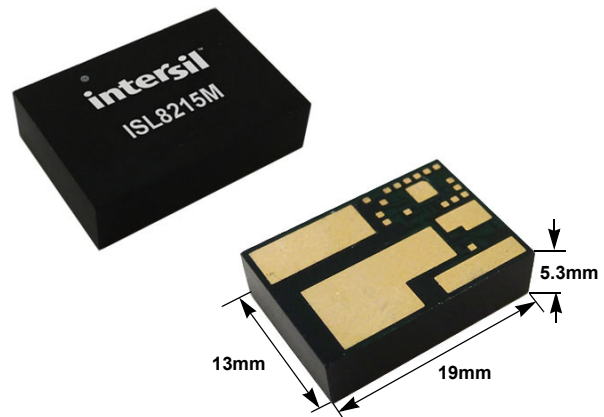
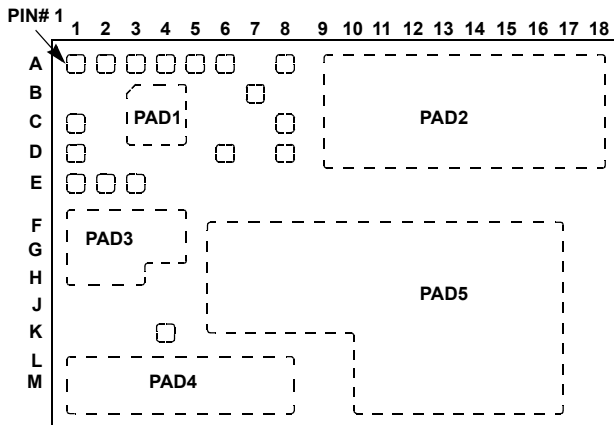
Part Number (Notes 2, 3)	Part Marking	Temp. Range (°C)	Tape and Reel (Units) (Note 1)	Package (RoHS Compliant)	Pkg. Dwg. #
ISL8215MIRZ	ISL8215M	-40 to +125	-	19x13 HDA	Y22.19x13
ISL8215MIRZ-T	ISL8215M	-40 to +125	350	19x13 HDA	Y22.19x13
ISL8215MIRZ-T1	ISL8215M	-40 to +125	100	19x13 HDA	Y22.19x13
ISL8215MEVAL2Z	Evaluation Board				

Notes:

1. Refer to [TB347](#) for details about reel specifications.
2. These plastic packaged products are RoHS compliant by EU exemption 7C-I and employ special Pb-free material sets; molding compounds/die attach materials and NiPdAu plate - e4 termination finish which is compatible with both SnPb and Pb-free soldering operations. RoHS compliant products are MSL classified at Pb-free peak reflow temperatures that meet or exceed the Pb-free requirements of IPC/JEDEC J STD-020.
3. For Moisture Sensitivity Level (MSL), refer to the [ISL8215M](#) product information page. For information about MSL, refer to [TB363](#).

### 1.4 Pin Configuration

22 Ld 19x13 HDA  
Top View



### 1.5 Pin Descriptions

Pin Number	Pin Name	Function
PAD1	SGND	Signal ground. The small-signal ground is common to all control circuitry and all voltage levels are measured with respect to this pin. Tie SGND to a solid low noise GND plane. Refer to <a href="#">"Layout Considerations" on page 29</a> and <a href="#">Figure 48 on page 30</a> for details.
PAD2	VOUT	Regulated power supply output. Apply the output load between this pin and PGND. An external resistor on the FB pin sets the output voltage in a range of 0.6V to 12V. Refer to <a href="#">"Typical Performance Curves" on page 14</a> for maximum load current at various output voltage.
PAD3	PGND	Power ground. This pin is connected to the source of the lower MOSFET inside the module. Connect it to the (-) terminals of the external input capacitors and output capacitors.
PAD4	VIN	Power input. Connect this pin directly to an input rail in a range of 7V to 42V. Connect input ceramic capacitors between this pin and PGND as close as possible to the device.

Pin Number	Pin Name	Function
PAD5	PH	Phase node connection. This pin is connected to the junction of the high-side MOSFET's source, output filter inductor, and low-side MOSFET's drain. A 4.02Ω 1206 resistor and a 270pF X7R 100V 0603 capacitor in series from PH to VIN (see <a href="#">Figures 3 through 6</a> ) are required for a switching frequency of 300kHz and a 42V input. Refer to <a href="#">"Layout Considerations" on page 29</a> for details.
A1	COMP	Voltage error amplifier output. Internal compensation networks are implemented to stabilize the system and achieve optimal transient response across the full range of input and output operating conditions. Leave this pin floating.
A2	SS/TRK	Soft-start/tracking pin. Connecting a capacitor from this pin to power ground sets the soft-start output voltage ramp rate. For tracking control, an external supply rail applied to this pin with a resistor divider is tracked by the output voltage. Leave this pin floating to enable a soft-start time of 1.5ms. Refer to <a href="#">"Tracking Operation" on page 23</a> .
A3	RT	Switching frequency selection. Connect to SGND to set the operating frequency to 300kHz. Connect to VCC or float this pin to set the operating frequency to 600kHz. Connect a resistor from RT to SGND to program the switching frequency. Refer to <a href="#">"Switching Frequency Selection" on page 21</a> .
A4	PGOOD	Open-drain, power-good output. The PGOOD signal is asserted when the output voltage is within ±12.5% of the nominal set output voltage and de-asserted when the output voltage is outside of the stated range or the EN pin is pulled low.
A5	MOD/SYNC	Light-load mode selection/synchronization input. Connect to VCC to enable light load PSM/DEM mode with pulse skipping at light loads. Connect to power ground or leave floating to enable constant frequency PWM only mode. Connect to external clock to synchronize the internal switching operations to an external clock; PWM mode only.
A6, A8	EN	Enable inputs. Connect to logic high level or leave floating to enable the device. An internal pull-up resistor allows for self enable operations upon application of VIN. Connect to logic low level or SGND to disable the device. Connect these two pins together externally through a PCB trace.
B7	VIN1	This pin should be tied to the input rail through a 20Ω 0603 resistor. It provides power to the internal linear drive circuitry and is also used by the feed-forward controller to adjust the amplitude of the PWM sawtooth.
C1	FB	Feedback input. Connect a resistor between this pin and SGND to adjust the output voltage. Refer to <a href="#">"Output Voltage Programming" on page 21</a> .
D1	RS	Output voltage remote sense feedback. Connect to the positive output regulation point. To achieve best regulation performance, connect a 2Ω resistor between the RS pin and the point of load. Use an internal 49.9Ω resistor connected between the RS pin and the VOUT1 pin to inject a small signal for loop gain measurements.
D6	UG1	High-side MOSFET gate driver output. Connect this pin to UG2 externally through a PCB trace.
K4	UG2	Pin connected to the gate of high-side MOSFET. Connect this pin to UG1 externally through a PCB trace.
E1	VOUT1	Power supply output. Connect a 1μF ceramic decoupling capacitor between this pin and SGND.
E2	OCS	Low-side MOSFET gate driver output and OC set pin. Use a resistor between this pin and ground to set the overcurrent threshold. Inside the module, a 26.1k resistor is connected between this pin and SGND. An external resistor in parallel with the internal 26.1k resistor can be used to reduce the overcurrent threshold. Refer to <a href="#">"Overcurrent Protection" on page 27</a> for more details.
E3	VCC	5V internal linear regulator output. This output supplies bias for the IC, the low-side gate driver and the internal boot circuitry for the high-side gate driver. Decouple with a 10μF ceramic capacitor placed close to the pin to power ground. Do not allow the voltage at VCC to exceed VIN at any time.
C8, D8	NC	No connection. Do not connect these pins.



Table 1. ISL8215M Design Guide Matrix (Refer to [Figures 3 Through 6](#))

Case	V <sub>IN</sub> (V)	V <sub>OUT</sub> (V)	R <sub>2</sub> (kΩ)	C <sub>IN</sub> (Bulk) (μF)	C <sub>IN</sub> (Ceramic) (μF)	C <sub>OUT</sub> (Bulk) (μF)	C <sub>OUT</sub> (Ceramic) (μF)	Freq (kHz)	RT Config	ROCSET (kΩ)	C <sub>7</sub> (pF)	R5 (Package) (Note 4)
1	12	0.8	130	1x100	4x10	1x470	4x100	300	SGND	DNP	Open	0402
2	12	0.9	86.6	1x100	4x10	1x470	4x100	300	SGND	DNP	Open	0402
3	12	1	64.9	1x100	4x10	1x470	4x100	300	SGND	DNP	Open	0402
4	12	1.2	43.2	1x100	4x10	1x470	4x100	300	SGND	DNP	Open	0402
5	12	1.8	21.5	1x100	4x10	1x470	4x100	300	SGND	DNP	Open	0402
6	12	2.5	13.7	1x100	4x10	1x470	4x100	300	SGND	DNP	Open	0402
7	12	3.3	9.65	1x100	4x10	1x470	4x100	300	SGND	DNP	Open	0402
8	12	5	5.90	1x100	4x10	1x330	4x100	300	SGND	205	Open	0402
9	24	0.9	86.6	1x100	4x10	1x470	4x100	300	SGND	DNP	Open	0603
10	24	1	64.9	1x100	4x10	1x470	4x100	300	SGND	DNP	Open	0603
11	24	1.2	43.2	1x100	4x10	1x470	4x100	300	SGND	DNP	Open	0603
12	24	1.8	21.5	1x100	4x10	1x470	4x100	300	SGND	DNP	Open	0603
13	24	2.5	13.7	1x100	4x10	1x470	4x100	300	SGND	DNP	Open	0603
14	24	3.3	9.65	1x100	4x10	1x470	4x100	300	SGND	DNP	Open	0603
19	24	5	5.90	1x100	4x10	1x330	4x100	300	SGND	205	Open	0603
20	7 to 42	1.5	28.7	1x100	4x10	1x470	4x100	300	SGND	DNP	Open	1206
21	7 to 42	1.8	21.5	1x100	4x10	1x470	4x100	300	SGND	DNP	Open	1206
22	7 to 42	2.5	13.7	1x100	4x10	1x470	4x100	300	SGND	DNP	Open	1206
23	7 to 42	3.3	9.65	1x100	4x10	1x470	4x100	300	SGND	DNP	Open	1206
24	7 to 42	5	5.90	1x100	4x10	1x330	4x100	300	SGND	205	Open	1206
27	16 to 42	12	2.26	1x100	4x10	2x150	12x22	600	Open	118	100	1210

Note:

- Refer to ["Layout Considerations" on page 29](#) for more details about package selection size for R5.

Table 2. Recommended Input/Output Capacitor

Vendor	Value	Part Number
Murata, Output Ceramic	100μF, 10V, 1210	GRM32ER61A107ME20L
Murata, Output Ceramic	22μF, 16V, 1210	GRM32ER71C226KE18L
Murata, Input Ceramic	10μF, 50V, 1210	GRM32ER71H106KA12L
Panasonic, Output Bulk	470μF, 6.3V	6TPF470MAH
Panasonic, Output Bulk	330μF, 6.3V	6TPF330M9L
Panasonic, Output Bulk	150μF, 16V	16TQC150MYF
United Chemi-Con, Input Bulk	100μF, 50V	EMZA500ADA101MHA0G
Murata	270pF, 100V, X7R	GRM188R72A271KA01D

## 2. Specifications

### 2.1 Absolute Maximum Ratings

Parameter	Minimum	Maximum	Unit
VCC to SGND	-0.3	+5.9	V
VIN to PGND	-0.3	+45	V
VIN1 to PGND	-0.3	+45	V
EN, PGOOD, SS/TRK, FB, COMP to SGND	-0.3	$V_{CC} + 0.3$	V
VOUT to PGND	-0.3	+16	V
VOUT1 to PGND	-0.3	+16	V
RS to PGND	-0.3	+16	V
UG1 to PHASE	-0.3	$V_{CC} + 0.3$	V
UG2 to PHASE	-20	+20	V
OCS to SGND	-0.3	$V_{CC} + 0.3$	V
RT, MOD/SYNC to SGND	-0.3	$V_{CC} + 0.3$	V
ESD Rating	Value		Unit
Human Body Model (Tested per JS-001-2014)	2		kV
Machine Model (Tested per JESD22-A115C)	200		V
Charged Device Model (Tested per JS-002-2014)	750		V
Latch-Up (Tested per JESD78E; Class II, Level A, +125°C)	100		mA

CAUTION: Do not operate at or near the maximum ratings listed for extended periods of time. Exposure to such conditions may adversely impact product reliability and result in failures not covered by warranty.

### 2.2 Thermal Information

Thermal Resistance (Typical)	$\theta_{JA}$ (°C/W)	$\theta_{JC}$ (°C/W)
22 Ld HDA Package ( <a href="#">Notes 5, 6</a> )	11.7	1.9

Notes:

- $\theta_{JA}$  is measured in free air with the module mounted on a 4-layer thermal test board 4.5x3 inch in size with significant coverage of 2.8oz Cu on top and bottom and 2oz Cu on buried plane layers, with numerous vias.
- For  $\theta_{JC}$ , the "case temp" location is the center of the package underside.

Parameter	Minimum	Maximum	Unit
Storage Temperature Range	-65	+150	°C
Pb-Free Reflow Profile	Refer to <a href="#">TB493</a>		

### 2.3 Recommended Operating Conditions

Parameter	Minimum	Maximum	Unit
$V_{IN}$ to GND	7	42	V
Output Voltage, $V_{OUT}$	0.6	12	V
Junction Temperature Range, $T_J$	-40	+125	°C

## 2.4 Electrical Specifications

Unless otherwise noted, typical specifications are measured at  $V_{IN} = 7V$  to  $42V$ ,  $V_{OUT} = 1.2V$ ,  $C_{VCC} = 10\mu F$ ,  $T_A = +25^\circ C$ . **Boldface limits apply across the internal junction temperature range,  $-40^\circ C$  to  $+125^\circ C$ .**

Parameter	Symbol	Test Conditions	Min (Note 9)	Typ	Max (Note 9)	Unit
<b><math>V_{IN}</math> Supply</b>						
Input Voltage Range	$V_{IN}$		<b>7</b>		<b>42</b>	V
<b>Controller Input Current</b>						
Shutdown Current (Note 7)	$I_{VIN1Q}$	EN = 0 PGOOD is floating $V_{IN1} = 12V$		5	<b>10</b>	$\mu A$
Operating Current (Note 8)	$I_{VIN1OP}$	PGOOD is floating $V_{IN1} = 12V$		2.5	<b>4</b>	mA
<b><math>V_{CC}</math> Supply (Note 7)</b>						
Internal LDO Output Voltage	$V_{CC}$	$V_{IN} = 12V$ , $I_L = 0mA$	<b>4.85</b>	5.10	<b>5.40</b>	V
		$V_{IN} > 7V$ , $I_L = 75mA$	<b>4.75</b>	5.05		V
Maximum Supply Current of Internal LDO	$I_{VCC\_MAX}$	$V_{VCC} = 0V$ , $V_{IN} = 12V$		120		mA
<b>Output Regulation</b>						
Output Continuous Current Range	$I_{OUT}$		<b>0</b>		<b>15</b>	A
Output Voltage Range (Note 13)	$V_{OUT\_RANGE}$		<b>0.6</b>		<b>12.0</b>	V
Output Voltage Set-Point Accuracy	$V_{OUT\_ACCY}$	Total variation with line, load, and temperature ( $-40^\circ C \leq T_J \leq +125^\circ C$ )	<b>-1.5</b>		<b>1.5</b>	%
Line Regulation	$\Delta V_{OUT}/V_{OUT\_SET}$	$V_{IN}$ from 7V to 42V, $I_{OUT} = 0A$ to 15A		0.1		%
Load Regulation	$\Delta V_{OUT}/V_{OUT\_SET}$	From 0A to 15A, $V_{IN} = 7V$ to 42V		0.3		%
Output Ripple Voltage	$V_{OUT(AC)}$	$V_{IN} = 24V$ , $V_{OUT} = 1.2V$ , $I_{OUT} = 15A$ , 4x100 $\mu F$ ceramic capacitor and 1x470 $\mu F$ POSCAP		13		mV <sub>P-P</sub>
<b>Dynamic Characteristics</b>						
Voltage Change of Positive Load Step	$V_{OUT\_DP}$	Current slew rate = 2.5A/ $\mu s$ , $V_{IN} = 24V$ , 4x100 $\mu F$ ceramic capacitor and 1x470 $\mu F$ POSCAP $V_{OUT} = 1.2V$ , $I_{OUT} = 0A$ to 7.5A		60		mV
Voltage Change of Negative Load Step	$V_{OUT\_DN}$	Current slew rate = 2.5A/ $\mu s$ , $V_{IN} = 24V$ , 4x100 $\mu F$ ceramic capacitor and 1x470 $\mu F$ POSCAP $V_{OUT} = 1.2V$ , $I_{OUT} = 7.5A$ to 0A		60		mV
<b>Undervoltage Lockout</b>						
Undervoltage Lockout, Rising	$V_{UVLOTHR}$	$V_{IN}$ voltage, 0mA on $V_{CC}$	<b>3.70</b>	3.90	<b>4.20</b>	V
Undervoltage Lockout, Falling	$V_{UVLOTHF}$	$V_{IN}$ voltage, 0mA on $V_{CC}$	<b>3.35</b>	3.50	<b>3.85</b>	V
<b>EN Threshold</b>						
EN Rise Threshold	$V_{ENSS\_THR}$	$V_{IN} = 12V$	<b>1.25</b>	1.60	<b>1.95</b>	V
EN Fall Threshold	$V_{ENSS\_THF}$	$V_{IN} = 12V$	<b>1.05</b>	1.25	<b>1.55</b>	V
EN Hysteresis	$V_{ENSS\_HYST}$	$V_{IN} = 12V$	<b>180</b>	350	<b>500</b>	mV
<b>Soft-Start Current</b>						
SS/TRK Soft-Start Charge Current	$I_{SS}$	SS/TRK = 0V		2		$\mu A$

Unless otherwise noted, typical specifications are measured at  $V_{IN} = 7V$  to  $42V$ ,  $V_{OUT} = 1.2V$ ,  $C_{VCC} = 10\mu F$ ,  $T_A = +25^\circ C$ . **Boldface limits apply across the internal junction temperature range,  $-40^\circ C$  to  $+125^\circ C$ .** (Continued)

Parameter	Symbol	Test Conditions	Min (Note 9)	Typ	Max (Note 9)	Unit
<b>Default Internal Minimum Soft-Starting</b>						
Default Internal Output Ramping Time	$t_{SS\_MIN}$	SS/TRK open		1.5		ms
<b>Power-Good Monitors</b>						
PGOOD Upper Threshold	$V_{PGOV}$		<b>109.0</b>	112.5	<b>115.0</b>	%
PGOOD Lower Threshold	$V_{PGUV}$		<b>85.0</b>	87.5	<b>92.0</b>	%
PGOOD Low-Level Voltage	$V_{PGLow}$	$I_{SINK} = 2mA$			<b>0.35</b>	V
PGOOD Leakage Current	$I_{PGLKG}$	PGOOD = 5V		20	<b>150</b>	nA
<b>PGOOD Timing</b>						
$V_{OUT}$ Rising Threshold to PGOOD Rising (Note 11)	$t_{PGR}$			1.1	<b>5</b>	ms
$V_{OUT}$ Falling Threshold to PGOOD Falling	$t_{PGF}$			75		$\mu s$
<b>Reference Section</b>						
Internal Reference Voltage	$V_{REF}$			0.600		V
Reference Voltage Accuracy		$T_A = 0^\circ C$ to $+85^\circ C$	-0.75		+0.75	%
		$T_A = -40^\circ C$ to $+125^\circ C$	<b>-1.00</b>		<b>+1.00</b>	%
FB Bias Current	$I_{FBLKG}$		<b>-40</b>	0	<b>40</b>	nA
<b>PWM Controller Error Amplifiers</b>						
Input Common-Mode Range		$V_{IN} = 12V$	0		$V_{CC} - 2$	V
DC Gain		$V_{IN} = 12V$		88		dB
Gain-BW Product	GBW	$V_{IN} = 12V$		8		MHz
Slew Rate	SR	$V_{IN} = 12V$		2.0		V/ $\mu s$
COMP $V_{OL}$		$V_{IN} = 12V$		0.4		V
COMP $V_{OH}$		$V_{IN} = 12V$		2.6		V
COMP Sink Current (Note 12)		$V_{COMP} = 2.5V$			30	mA
COMP Source Current (Note 12)		$V_{COMP} = 2.5V$			30	mA
<b>PWM Regulator</b>						
Minimum Off-Time	$t_{OFF\_MIN}$			308	412	ns
Minimum On-Time (Note 12)	$t_{ON\_MIN}$			40	60	ns
Peak-to-Peak Sawtooth Amplitude	$DV_{RAMP}$	$V_{IN} = 20V$		1.0		V
		$V_{IN} = 12V$		0.6		V
Ramp Offset				1.0		V
<b>Switching Frequency</b>						
Switching Frequency	$f_{SW}$	RT PIN connect to SGND	<b>250</b>	300	<b>350</b>	kHz
Switching Frequency		RT PIN connect to VCC or FLOAT	<b>515</b>	600	<b>645</b>	kHz
Switching Frequency		$R_T = 36k\Omega$	<b>890</b>	1050	<b>1195</b>	kHz
Switching Frequency		$R_T = 16.5k\Omega$	<b>1650</b>	2000	<b>2375</b>	kHz
$R_T$ Voltage	$V_{RT}$	$R_T = 36k\Omega$		770		mV
<b>Synchronization</b>						
SYNC Synchronization Range (Note 12)	$F_{SYNC}$	$R_T = 0\Omega$	<b>354</b>		<b>1000</b>	kHz

Unless otherwise noted, typical specifications are measured at  $V_{IN} = 7V$  to  $42V$ ,  $V_{OUT} = 1.2V$ ,  $C_{VCC} = 10\mu F$ ,  $T_A = +25^\circ C$ . **Boldface limits apply across the internal junction temperature range,  $-40^\circ C$  to  $+125^\circ C$ . (Continued)**

Parameter	Symbol	Test Conditions	Min (Note 9)	Typ	Max (Note 9)	Unit
<b>Diode Emulation Mode Detection</b>						
MOD/SYNC Threshold High (Note 12)	$V_{MODETHH}$		<b>1.1</b>	1.6	<b>2.1</b>	V
MOD/SYNC Hysteresis (Note 12)	$V_{MODEHYS}$			200		mV
Diode Emulation Phase Threshold (Note 10)	$V_{CROSS}$	$V_{IN} = 12V$		-3		mV
<b>Overvoltage Protection</b>						
OVP Threshold	$V_{OVTH}$		<b>116</b>	121	<b>127</b>	%
<b>Overcurrent Protection</b>						
OCP Threshold (Note 14)	$I_{OCTH}$	$R_{OCSET}$ resistor open, at $+125^\circ C$ junction		19.4		A
<b>Over-Temperature</b>						
Over-Temperature Shutdown (Controller Junction Temperature)	$T_{OT-TH}$			150		$^\circ C$
Over-Temperature Hysteresis	$T_{OT-HYS}$			15		$^\circ C$

## Notes:

- In normal operation, in which the device is supplied with voltage on the VIN pin, the VCC pin provides a 5V output capable of sourcing 75mA (minimum). This is the total shutdown current with  $V_{IN} = 7V$  and  $42V$ .
- Operating current is the supply current consumed when the device is active but not switching. It does not include gate drive current.
- Parameters with MIN and/or MAX limits are 100% tested at  $+25^\circ C$ , unless otherwise specified. Temperature limits established by characterization and are not production tested. Controller is independently tested prior to module assembly.
- Threshold voltage at PHASE pin for turning off the bottom MOSFET during DEM.
- When soft-start time is less than 4.5ms,  $t_{PGR}$  increases. With internal soft-start (the fastest soft-start time),  $t_{PGR}$  increases close to its maximum limit 5ms.
- Compliance to limits is assured by characterization and design.
- Maximum limit 100% production tested up to 5V.
- $V_{IN} = 24V$ ,  $V_{OUT} = 3.3V$  at  $125^\circ C$  junction.

### 3. Typical Performance Curves

#### 3.1 Efficiency Performance

Operating condition:  $T_A = +25^\circ\text{C}$ , no air flow. Device in PWM mode. Typical values are used unless otherwise noted.

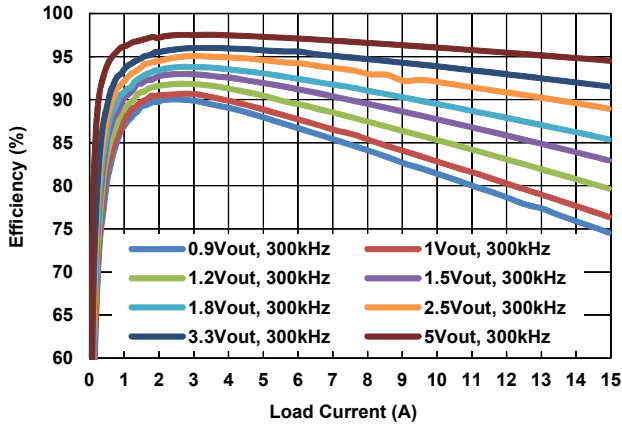


Figure 8.  $V_{IN} = 7\text{V}$

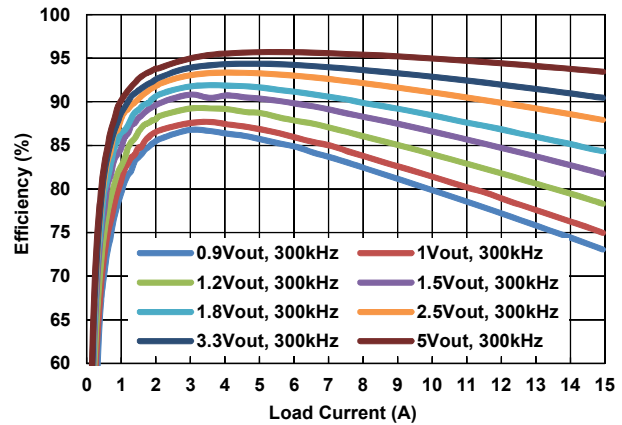


Figure 9.  $V_{IN} = 12\text{V}$

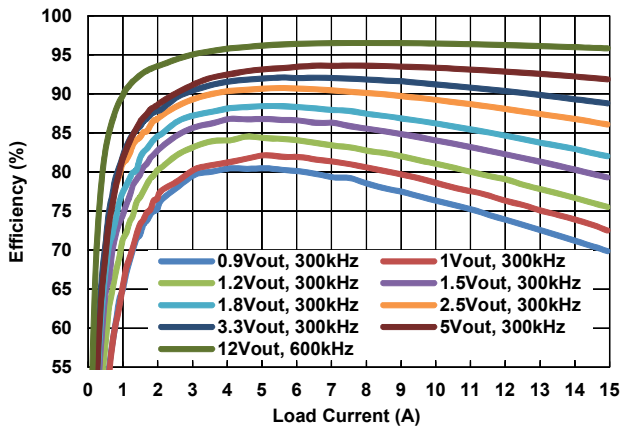


Figure 10.  $V_{IN} = 24\text{V}$

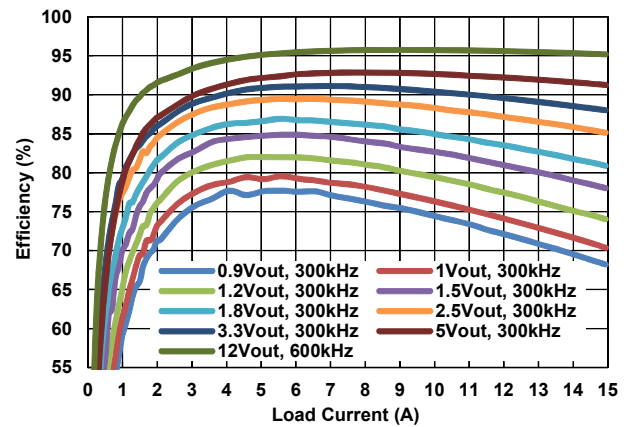


Figure 11.  $V_{IN} = 30\text{V}$

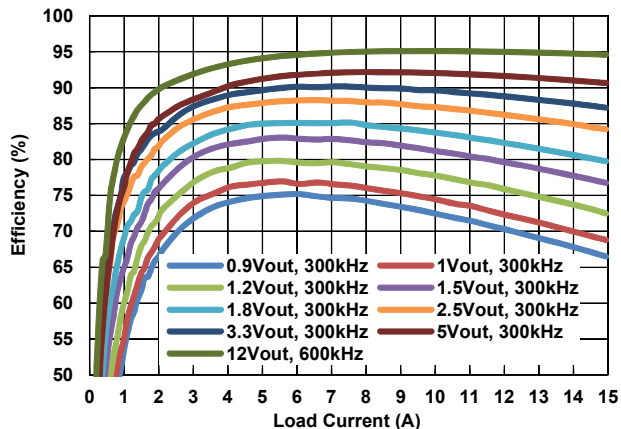


Figure 12.  $V_{IN} = 36\text{V}$

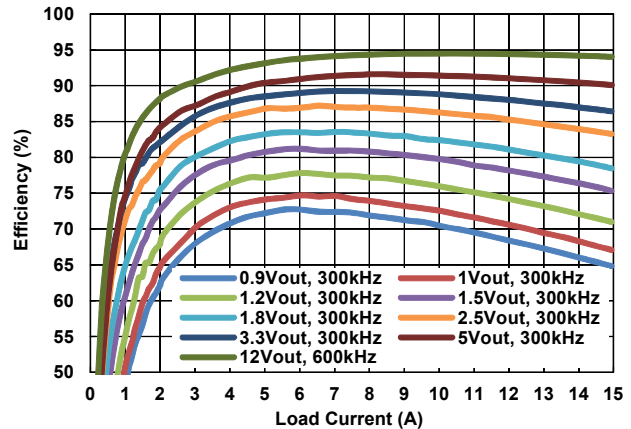


Figure 13.  $V_{IN} = 42\text{V}$

### 3.2 Output Voltage Ripple

Operating condition:  $T_A = +25^\circ\text{C}$ , no air flow.  $V_{IN} = 24\text{V}$ , CCM mode. Typical values are used unless otherwise noted.

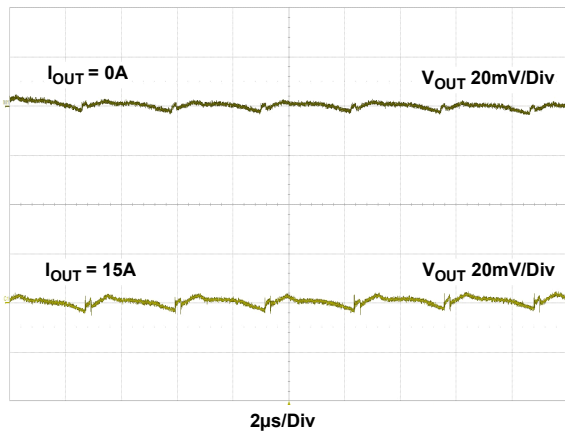


Figure 14. Output Ripple,  $V_{OUT} = 1.2\text{V}$ ,  $f_{SW} = 300\text{kHz}$ ,  $C_{OUT} = 4 \times 100\mu\text{F}$  Ceramic +  $1 \times 470\mu\text{F}$  POSCAP

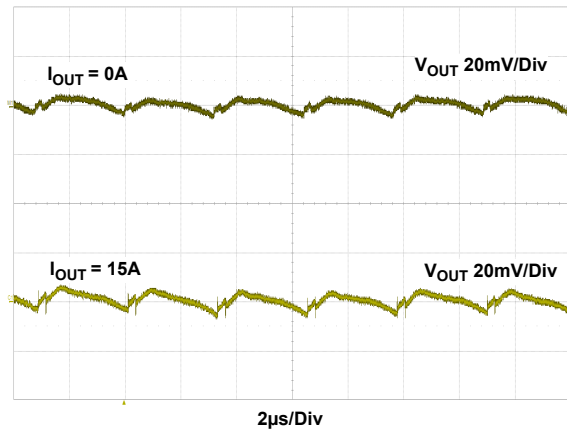


Figure 15. Output Ripple,  $V_{OUT} = 1.8\text{V}$ ,  $f_{SW} = 300\text{kHz}$ ,  $C_{OUT} = 4 \times 100\mu\text{F}$  Ceramic +  $1 \times 470\mu\text{F}$  POSCAP

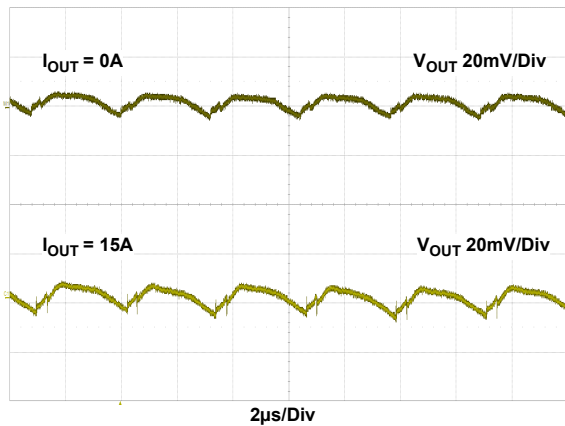


Figure 16. Output Ripple,  $V_{OUT} = 2.5\text{V}$ ,  $f_{SW} = 300\text{kHz}$ ,  $C_{OUT} = 4 \times 100\mu\text{F}$  Ceramic +  $1 \times 470\mu\text{F}$  POSCAP

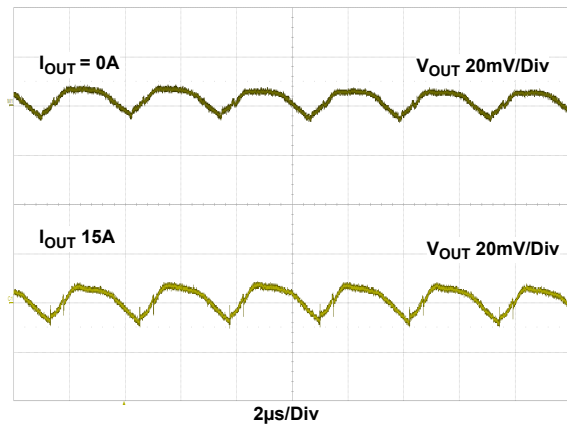


Figure 17. Output Ripple,  $V_{OUT} = 3.3\text{V}$ ,  $f_{SW} = 300\text{kHz}$ ,  $C_{OUT} = 4 \times 100\mu\text{F}$  Ceramic +  $1 \times 470\mu\text{F}$  POSCAP

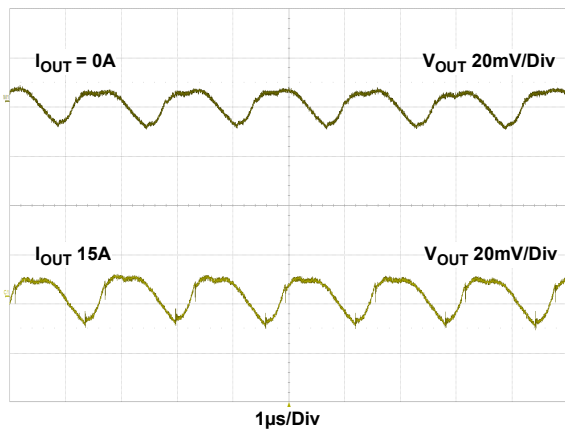


Figure 18. Output Ripple,  $V_{OUT} = 5\text{V}$ ,  $f_{SW} = 300\text{kHz}$ ,  $C_{OUT} = 4 \times 100\mu\text{F}$  Ceramic +  $1 \times 330\mu\text{F}$  POSCAP

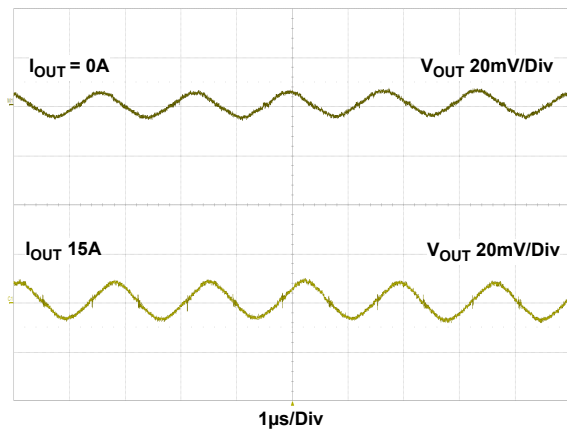


Figure 19. Output Ripple,  $V_{OUT} = 12\text{V}$ ,  $f_{SW} = 600\text{kHz}$ ,  $C_{OUT} = 12 \times 22\mu\text{F}$  Ceramic +  $2 \times 150\mu\text{F}$  POSCAP

### 3.3 Load Transient Response Performance

Operating condition:  $T_A = +25^\circ\text{C}$ , no air flow.  $V_{IN} = 24\text{V}$ , CCM mode, 0A - 7.5A, 2.5A/ $\mu\text{s}$  step load. Typical values are used unless otherwise noted.

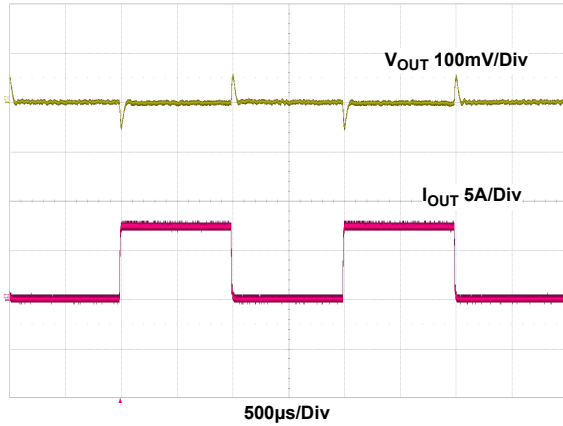


Figure 20.  $V_{OUT} = 1.2\text{V}$ ,  $f_{SW} = 300\text{kHz}$ ,  $C_{OUT} = 4 \times 100\mu\text{F}$  Ceramic + 1x470 $\mu\text{F}$  POSCAP

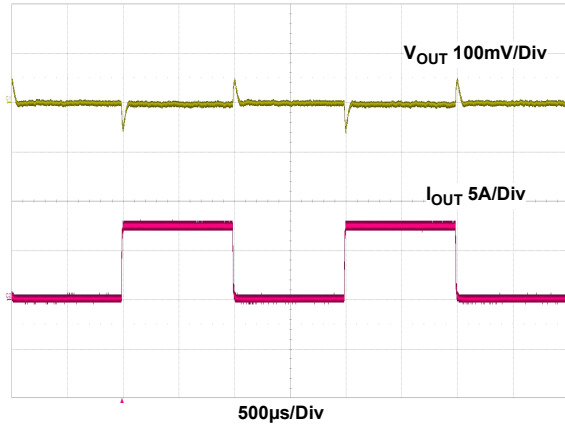


Figure 21.  $V_{OUT} = 1.8\text{V}$ ,  $f_{SW} = 300\text{kHz}$ ,  $C_{OUT} = 4 \times 100\mu\text{F}$  Ceramic + 1x470 $\mu\text{F}$  POSCAP

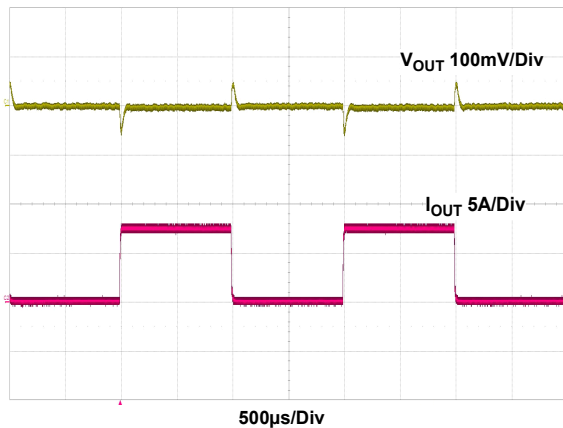


Figure 22.  $V_{OUT} = 2.5\text{V}$ ,  $f_{SW} = 300\text{kHz}$ ,  $C_{OUT} = 4 \times 100\mu\text{F}$  Ceramic + 1x470 $\mu\text{F}$  POSCAP

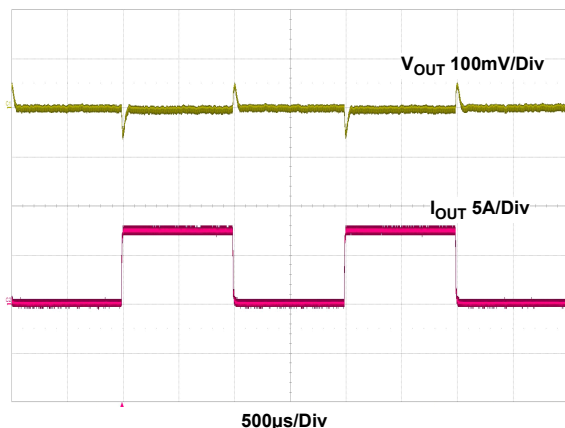


Figure 23.  $V_{OUT} = 3.3\text{V}$ ,  $f_{SW} = 300\text{kHz}$ ,  $C_{OUT} = 4 \times 100\mu\text{F}$  Ceramic + 1x470 $\mu\text{F}$  POSCAP

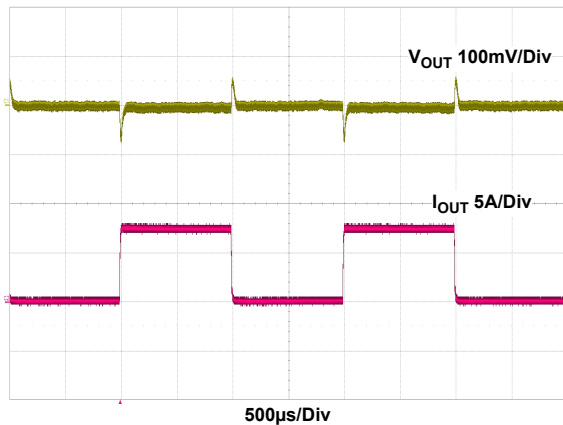


Figure 24.  $V_{OUT} = 5\text{V}$ ,  $f_{SW} = 300\text{kHz}$ ,  $C_{OUT} = 4 \times 100\mu\text{F}$  Ceramic + 1x330 $\mu\text{F}$  POSCAP

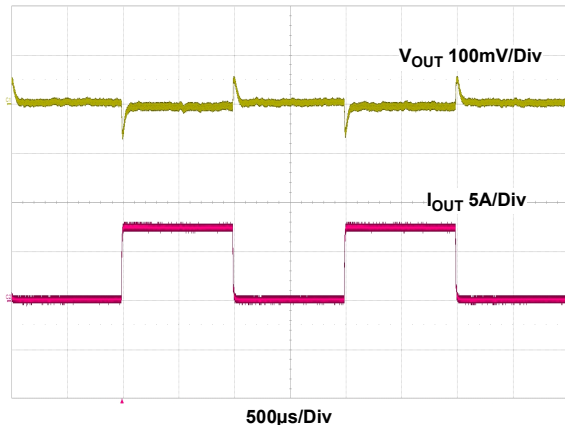


Figure 25.  $V_{OUT} = 12\text{V}$ ,  $f_{SW} = 600\text{kHz}$ ,  $C_{OUT} = 12 \times 22\mu\text{F}$  Ceramic + 2x150 $\mu\text{F}$  POSCAP



### 3.4 Start-Up Waveforms

Operating condition:  $T_A = +25^\circ\text{C}$ , no air flow.  $V_{IN} = 24\text{V}$ ,  $f_{SW} = 300\text{kHz}$ ,  $C_{OUT} = 4 \times 100\mu\text{F CERAMIC} + 1 \times 330\mu\text{F POSCAP}$ , CCM mode. Typical values are used unless otherwise noted.

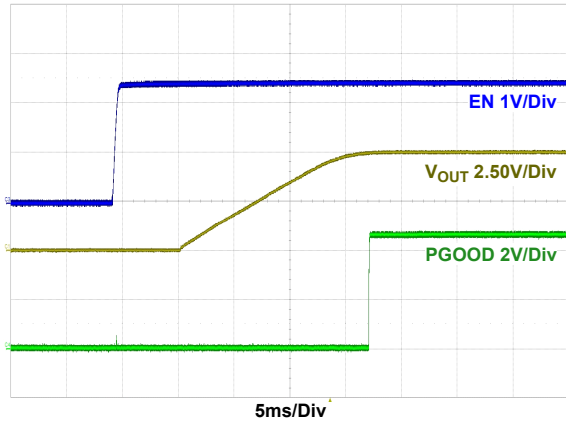


Figure 26. Start-Up Waveforms;  $V_{OUT} = 5\text{V}$ ,  $I_{OUT} = 0\text{A}$

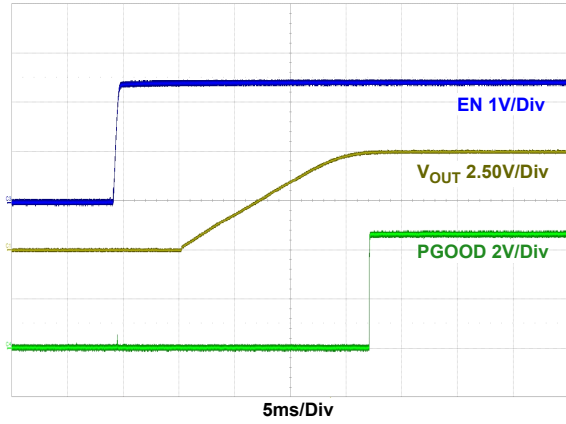


Figure 27. Start-Up Waveforms;  $V_{OUT} = 5\text{V}$ ,  $I_{OUT} = 15\text{A}$

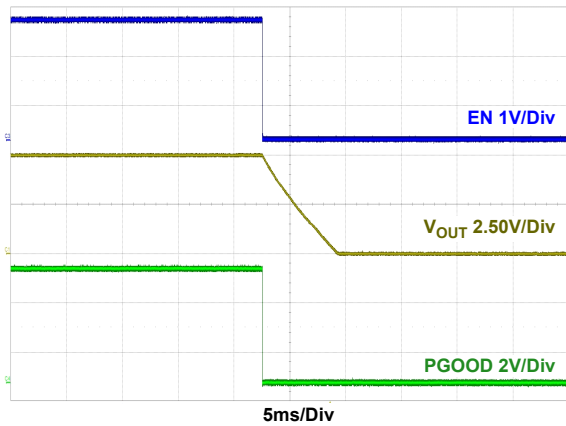


Figure 28. Shutdown Waveforms;  $V_{OUT} = 5\text{V}$ ,  $I_{OUT} = 0.5\text{A}$

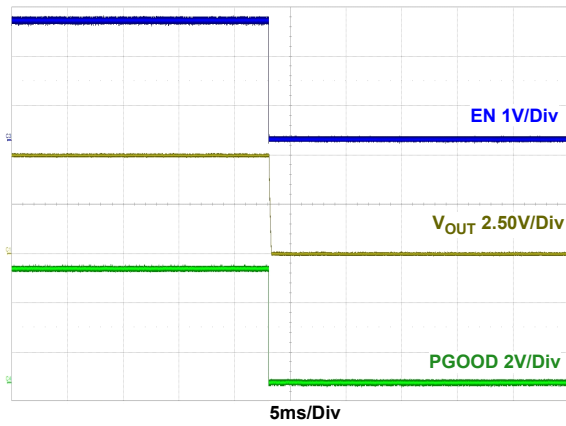


Figure 29. Shutdown Waveforms;  $V_{OUT} = 5\text{V}$ ,  $I_{OUT} = 15\text{A}$

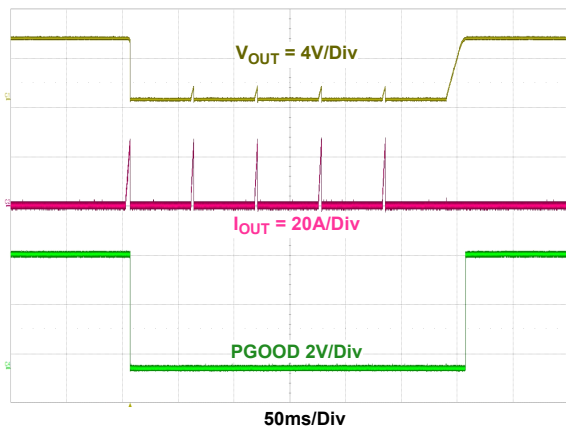


Figure 30. OCP Response; Output Short-Circuited from No Load to Ground and Released,  $V_{OUT} = 5\text{V}$ ,  $I_{OUT} = 0\text{A}$

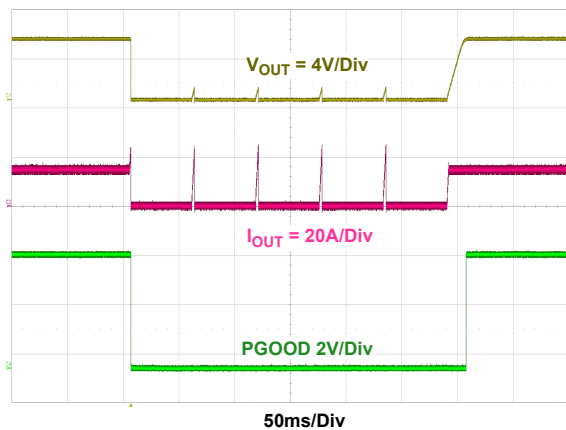


Figure 31. OCP Response; Output Short-Circuited from 15A to Ground and Released,  $V_{OUT} = 5\text{V}$ ,  $I_{OUT} = 15\text{A}$

### 3.5 Derating

Operating condition:  $V_{IN} = 24V$ . All of the following curves were plotted at  $T_J = +120^{\circ}C$ .

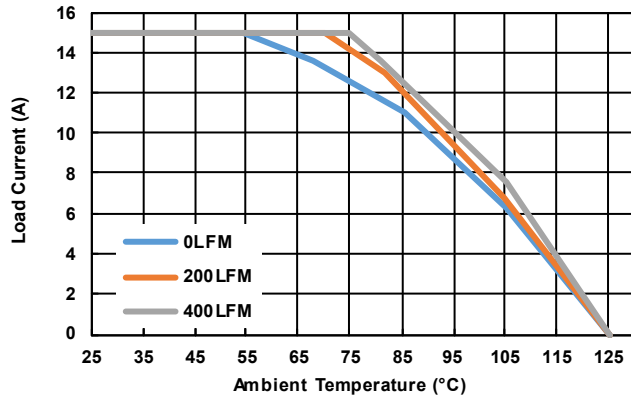


Figure 32. PWM/CCM Mode,  $V_{OUT} = 1.2V$ ,  $f_{SW} = 300kHz$

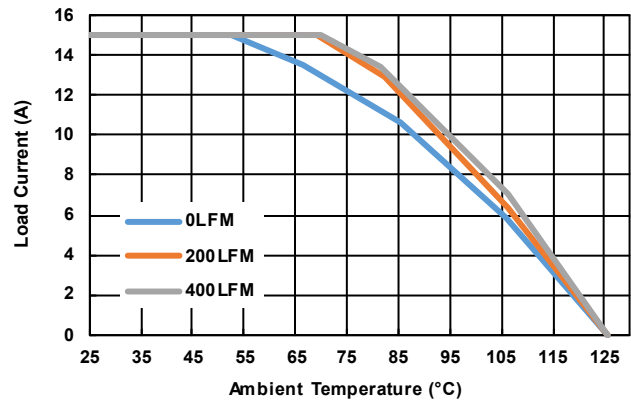


Figure 33. PWM/CCM Mode,  $V_{OUT} = 1.8V$ ,  $f_{SW} = 300kHz$

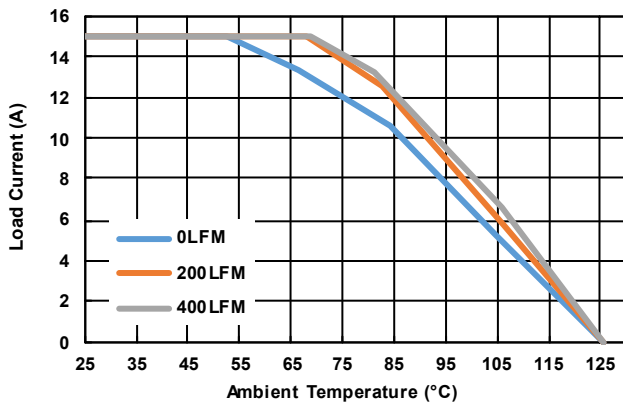


Figure 34. PWM/CCM Mode,  $V_{OUT} = 2.5V$ ,  $f_{SW} = 300kHz$

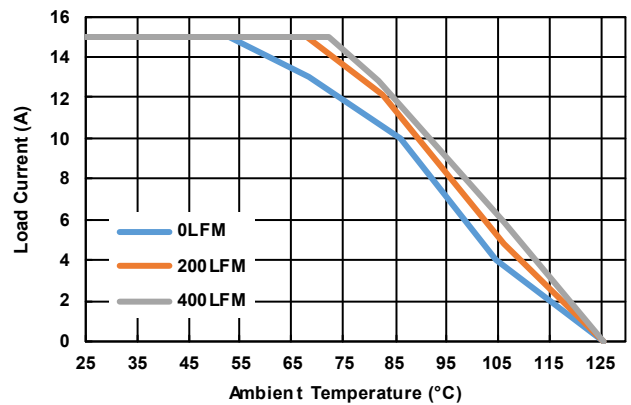


Figure 35. PWM/CCM Mode,  $V_{OUT} = 3.3V$ ,  $f_{SW} = 300kHz$

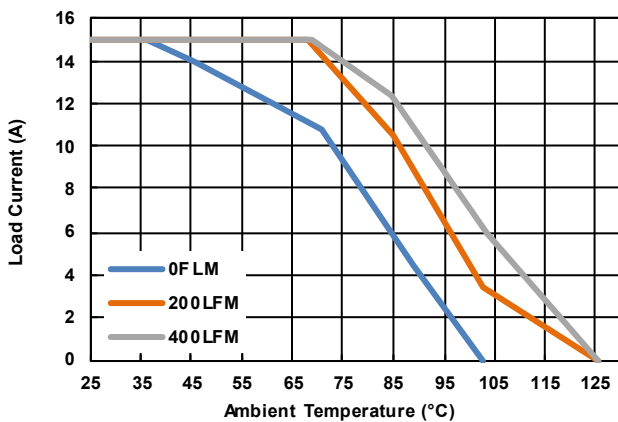


Figure 36. PWM/CCM Mode,  $V_{OUT} = 5V$ ,  $f_{SW} = 300kHz$

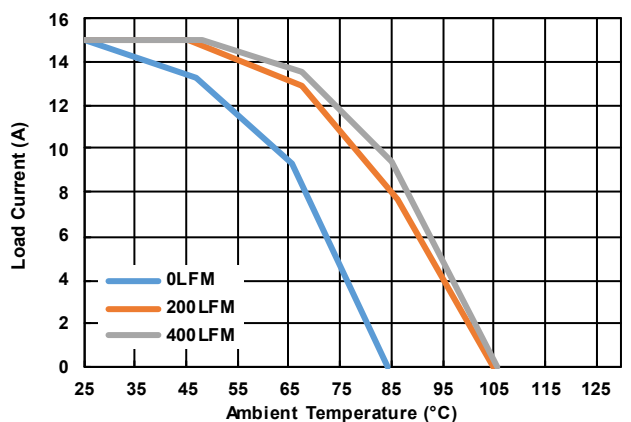


Figure 37. PWM/CCM Mode,  $V_{OUT} = 12V$ ,  $f_{SW} = 600kHz$

## 4. Functional Description

### 4.1 Power-Good Indicator

The power-good signal can be used to monitor the status of the output voltage for undervoltage and overvoltage conditions. This open-drain, PGOOD output is asserted whenever the output voltage is within  $\pm 12.5\%$  of the selected target value. This voltage is measured through the feedback resistive divider and therefore is referenced to the internal 0.6V reference. The PGOOD assertion occurs after a 1.1ms blanking delay upon the output voltage reaching the regulation window. PGOOD is deasserted without any delay when an output undervoltage or overvoltage is detected or when EN is pulled LOW.

### 4.2 Self-Enable Operation

Connect an internal pull-up resistor from EN to VCC to allow self-enabling operation. Leaving the EN pin floating enables the ISL8215M as soon as  $V_{IN}$  reaches the UVLO threshold, at which point the soft-start circuitry is activated.

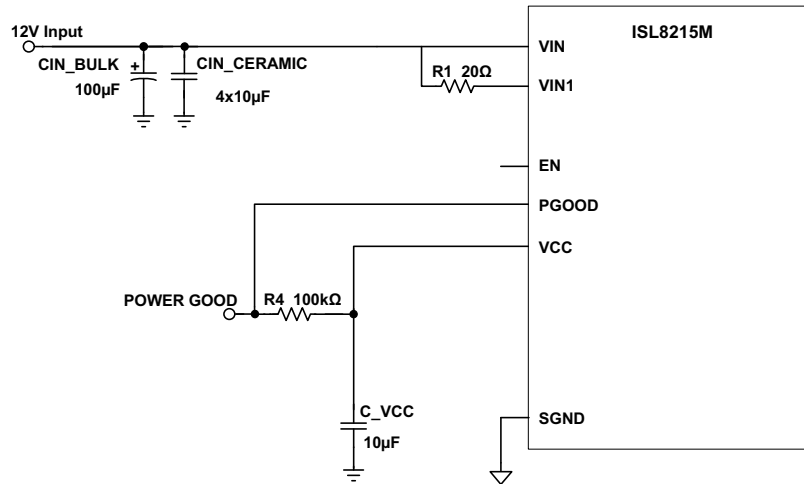


Figure 38. Self-Enable Operation

For operations in which the ISL8215M is required to turn on at a specific input voltage level, external circuitry must be implemented to control the voltage applied on the EN pin through a resistor divider. An optional zener (D1 as shown in [Figure 39](#)) may also be required to maintain the EN voltage within the recommended operating conditions.

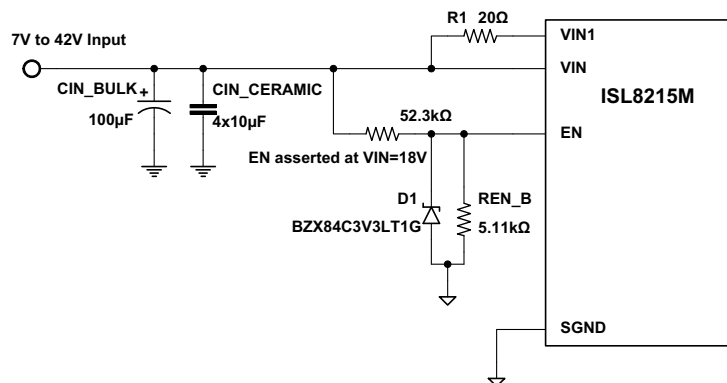


Figure 39. 18V<sub>IN</sub> Minimum Self-Enable Operation

### 4.3 Enable

Driving the Enable (EN) pin high or low enables or disables, respectively, ISL8215M operations. When the EN pin voltage reaches 1.6V, the ISL8215M internal circuit is initialized. Pulling the EN low disables all internal circuitry to achieve a low standby current and discharges the SS/TRK pin to GND by an internal MOSFET with  $70\Omega$   $r_{DS(ON)}$ .

### 4.4 Prebiased Power-Up

The ISL8215M can soft-start with a prebiased output. The output voltage is not pulled down during prebiased startup. PWM operations initiate only when the soft-start ramp reaches the prebiased voltage times the resistive divider ratio. Overvoltage protection is active during soft-start operations.

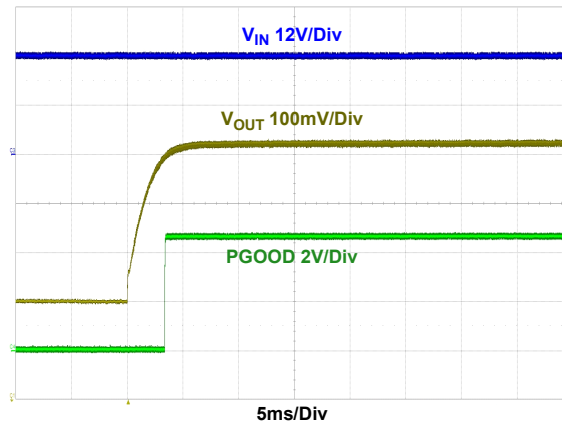


Figure 40. Prebiased Power-Up Waveform, Prebiased Voltage = 3.0V,  $V_{OUT} = 3.3V$ ,  $I_{OUT} = \text{No Load}$

### 4.5 PWM/CCM Mode

Tie the MOD/SYNC pin to power ground or leave it floating to select PWM-only operation mode. In this mode, the ISL8215M operates at a constant frequency at all load currents. While this mode provides lower conversion efficiency at light current load, it may be sometimes required for applications sensitive to electromagnetic interferences.

### 4.6 PSM/DEM Light-Load Efficiency Mode

Tie the MOD/SYNC pin to VCC to select the PSM/DEM enhanced light-load efficiency operation mode. In this mode, the ISL8215M operates in high-efficiency Diode Emulation Mode (DEM) and Pulse Skipping Mode (PSM) at light-load conditions. The inductor current is not allowed to reverse (discontinuous operation) while at very light loads, and the ISL8215M enters the pulse skipping function. Although this mode provides increased conversion efficiency at light load, it also increases the output ripple voltage and operates at a non-constant frequency.

### 4.7 Internal 5V Linear Regulator ( $V_{CC}$ )

An internal low dropout regulator powers all ISL8215M internal circuitry allowing the device to operate from a single, wide-input voltage rail from 7V to 42V. For proper operation, decouple the output of this internal LDO ( $V_{CC}$ ) to power ground with a  $10\mu\text{F}$  capacitor positioned as close as possible to the pin. No other circuitry should be connected to VCC.

### 4.8 Gate Control Logic Optimization

The ISL8215M implements a specific proprietary MOSFET gate control logic that optimizes the performance across a wide range of operating conditions. This circuitry provides adaptive dead time control by monitoring the real gate waveforms of both the high-side and low-side MOSFETs. A shoot-through control logic provides a 16ns dead time to ensure that both the upper and lower MOSFETs do not turn on simultaneously and cause a shoot-through condition.

## 5. Application Information

### 5.1 Output Voltage Programming

The ISL8215M supports an adjustable output voltage range of 0.6V to 12V. A single resistor,  $R_2$ , placed from FB to SGND sets the output voltage according to [Equation 1](#).

$$(EQ. 1) \quad R_2 = \frac{(R_1 \times 0.6)}{(V_{OUT} - 0.6)}$$

where  $R_1$  = fixed high-side resistor value of  $43.2\text{k}\Omega \pm 1\%$  tolerance inside the module and  $R_2$  = resistor connected from FB to SGND in  $\text{k}\Omega$ .

Use [Table 3](#) to select the value of resistor  $R_2$  for typical output voltages. For maximum output voltage accuracy,  $R_2$  should be selected with a tolerance of 0.1% or better.

**Table 3. Output Voltage Resistor Settings**

$V_{OUT}$ (V)	$R_2$ E192 Series
0.6	Open
0.8	130k $\Omega$
0.85	104k $\Omega$
0.90	86.6k $\Omega$
0.95	74.1k $\Omega$
1.0	64.9k $\Omega$
1.1	51.7k $\Omega$
1.2	43.2k $\Omega$
1.5	28.7k $\Omega$
1.8	21.5k $\Omega$
2.5	13.7k $\Omega$
3.3	9.53k $\Omega$
5	5.90k $\Omega$
12	2.26k $\Omega$

### 5.2 Switching Frequency Selection

The switching frequency of the ISL8215M is programmable from 300kHz to 2MHz typical and is set by a resistor connected from the RT pin to power ground according to [Equation 2](#):

$$(EQ. 2) \quad R_T = \left( \frac{39.2}{f_{SW}} - 1.96 \right) \text{k}\Omega$$

where  $f_{SW}$  is the switching frequency in MHz.

The switching frequency can be set to 300kHz when the RT pin is tied to ground. The switching frequency can be increased to 600kHz if the RT pin is tied to VCC or left floating. Switching frequency selection is a trade-off between efficiency, output voltage ripple, and load transient response requirements. Typically, a low switching frequency improves efficiency by reducing MOSFET switching losses while a high switching frequency improves the output voltage ripple and transient response in conjunction with the value and type of the output capacitance.

Use the frequency setting curve shown in [Figure 41 on page 22](#) to select the correct value for the resistor  $R_T$ .

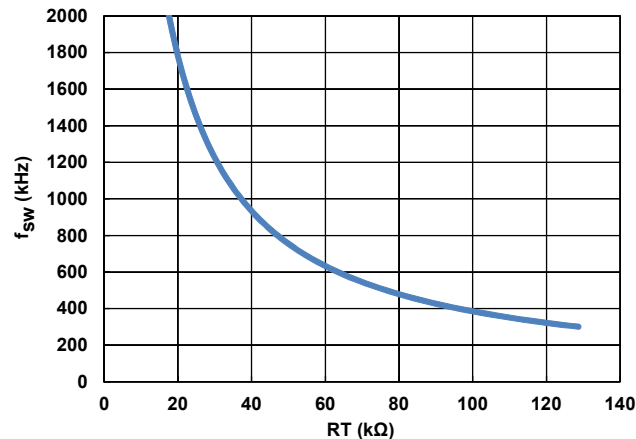


Figure 41. R<sub>T</sub> vs Switching Frequency f<sub>SW</sub>

Configure the control scheme when using the ISL8215M internal oscillator to control switching operations. In this mode, the MOD/SYNC pin selects the required configuration.

### 5.3 External Frequency Synchronization

The ISL8215M can be synchronized to an external clock applied on the MOD/SYNC pin. The external clock should be a square pulse waveform with a frequency in the range of 354kHz - 1MHz. The programmed frequency of the ISL8215M module, which is set by the resistor connected to the RT pin should be lower than the external clock frequency. The duty cycle of the external clock should be within 30% to 70% (typically 50%), while the amplitude should be in the range of 3V to 5V.

To ensure proper operation, the external clock frequency must be at least 18% higher than the programmed default frequency of the module. Disable the module before turning off the external clock. When frequency synchronization is in effect, the ISL8215M operates in forced PWM mode across all loads.

### 5.4 Soft-Start Operation

The ISL8215M provides soft-start operations for applications in which inrush current needs to be reduced during startup. A soft-start capacitor placed between the SS/TRK pin and power ground adjusts the soft-start output voltage ramp rate. The typical soft-start time is based on the soft-start capacitor value and set according to [Equation 3](#):

$$(EQ. 3) \quad t_{SS} = 0.6V \left( \frac{C_{SS}}{2} \right)$$

where C<sub>SS</sub> is in nF and t<sub>SS</sub> in ms.

Use the soft-start time setting curve shown in [Figure 42 on page 23](#) to select the correct value for the capacitor C<sub>SS</sub>. When the soft-start time set by external C<sub>SS</sub> or tracking is less than 1.5ms, an internal soft-start circuitry of 1.5ms takes over the soft-start function. Furthermore, overvoltage protection is active during soft-starting operation.

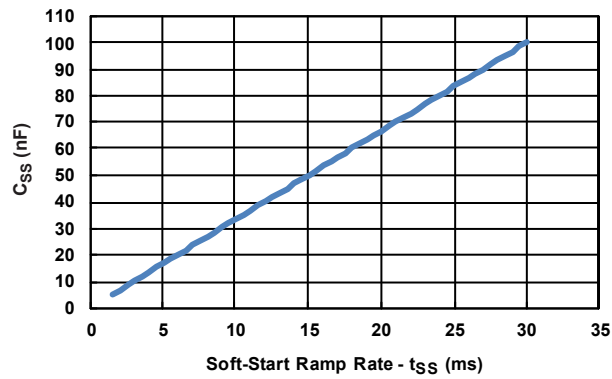


Figure 42. C<sub>SS</sub> vs t<sub>SS</sub>

### 5.5 Tracking Operation

The ISL8215M can be configured to track an external supply, either coincidentally or ratiometrically. To implement this functionality, a tracking resistor divider is connected between the external supply output (master rail) and ground. The center point of this resistor divider is connected to the SS/TRK pin of ISL8215M.

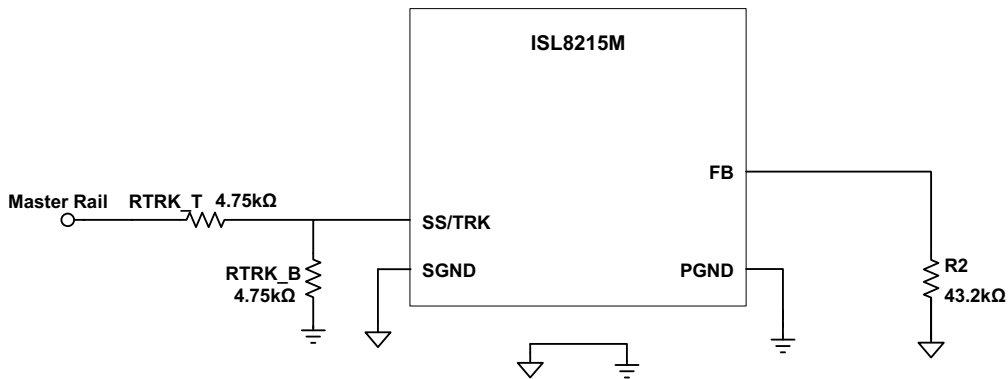
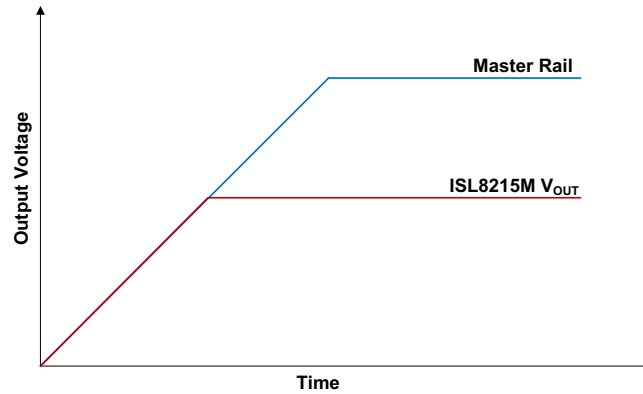


Figure 43. ISL8215M V<sub>OUT</sub> = 1.2V - Master Rail Coincidental Tracking - Divider Ratio of 1:1

Coincident tracking is achieved when both the master rail and the ISL8215M output rail reach their respective regulation voltage levels with the same slope. As shown in [Figure 44](#), the master rail and the ISL8215M output rail reach regulation at two different times. Coincident tracking can be achieved by setting the external resistor divider ratio ( $R_{TRK\_T}/R_{TRK\_B}$ ) equal to the feedback resistor divider ratio ( $R_1/R_2$ ) of the ISL8215M. Use [Table 3 on page 21](#) to select the appropriate resistor value for different output voltages.



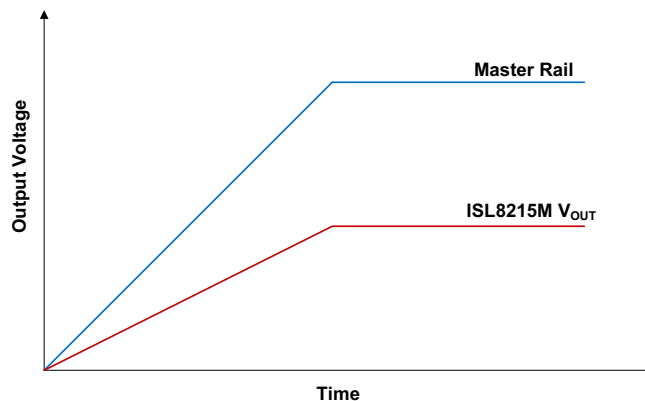
**Figure 44. Master Rail Coincidental Tracking**

Ratiometric tracking is achieved when the master rail and the ISL8215M output rail both reach their final regulation value at the same time but with different slopes, as shown in [Figure 45](#). Use [Equation 4](#) to calculate the resistor divider ratio ( $R_{TRK\_T}/R_{TRK\_B}$ ) to implement ratiometric tracking.

$$(EQ. 4) \quad V_{\text{Master rail}} \times \frac{R_{TRK\_B}}{R_{TRK\_B} + R_{TRK\_T}} = 0.6$$

Note that R1 is a fixed high-side resistor of value 43.2k $\Omega$ .

When the voltage at the SS/TRK pin reaches ~550mV, the output voltage is decided by the internal reference of the ISL8215M controller. In addition, the tracking resistor divider of the master rail should include resistors of values less than 10k $\Omega$  to minimize the impact of the 2 $\mu$ A soft-start current on the tracking function.



**Figure 45. Ratiometric Tracking of Master Rail**



## 5.6 Input Voltage Range

The ISL8215M is designed to operate from a single wide input supply ranging from 7V DC to 42V DC. Limitations on the minimum on-time and minimum off-time required by the ISL8215M limit the minimum and maximum conversion ratios, or duty cycles, supported. By extension, the supported input voltage range for a selected output voltage and selected operating frequency may be effectively reduced.

The maximum input voltage is limited by the minimum on-time ( $t_{ON(min)}$ ) as shown in [Equation 5](#).

$$(EQ. 5) \quad V_{IN(max)} \leq \left( \frac{V_{OUT}}{t_{ON(min)} \times f_{SW}} \right)$$

where  $t_{ON(min)} = 60\text{ns}$  worst case and  $f_{SW}$  is the switching frequency in Hz.

The minimum input voltage is limited by the minimum off-time ( $t_{OFF(min)}$ ), ON-resistance of the high-side FET,  $r_{DS(ON)}$ , series resistance of the inductor ( $R_L$ ), and the load current ( $I_{OUT}$ ) as shown in [Equation 6](#). Because of the temperature coefficient of the MOSFET and inductor, note that the minimum value of  $V_{IN}$  occurs at the  $+125^\circ\text{C}$  at  $R_L = 9.7\text{m}\Omega$  and  $r_{DS(ON)} = 18.75\text{m}\Omega$ .

$$(EQ. 6) \quad V_{IN(min)} \geq \left( \frac{V_{OUT} + I_{OUT} \times (r_{DS(ON)} + R_L)}{1 - t_{OFF(min)} \times f_{SW}} \right)$$

where  $t_{OFF(min)} = 412\text{ns}$  worst case.

## 5.7 Input Capacitor Selection

The important parameters for the input capacitor(s) are the voltage rating and the RMS current rating. For reliable operation, select input capacitors with voltage and current ratings above the maximum input voltage and largest RMS current required by the circuit. The capacitor voltage rating should be at least 1.25 times greater than the maximum input voltage and 1.5 times is a conservative guideline. The  $AC_{RMS}$  input current varies with the load given in [Equation 7](#):

$$(EQ. 7) \quad I_{RMS} = \sqrt{D(1-D)} \cdot I_{OUT}$$

where D is duty cycle of the PWM.

The maximum RMS current supplied by the input capacitance occurs at  $V_{IN} = 2 \times V_{OUT}$ ,  $D = 50\%$  as shown in [Equation 8](#):

$$(EQ. 8) \quad I_{RMS} = \frac{1}{2} \cdot I_{OUT}$$

Refer to the capacitor vendor to check the RMS current rating. Note that the current rating is decided by the ambient temperature or temperature rise. Each 1210 size  $10\mu\text{F}$  low ESR capacitor is typically sufficient for 2A to 3A RMS ripple current.

Use a mix of input bypass capacitors to control the voltage stress across the MOSFETs. Use ceramic capacitors for the high frequency decoupling and bulk capacitors to supply the RMS current. Small ceramic capacitors can be placed very close to the MOSFETs to suppress the voltage induced in the parasitic circuit impedances.

Solid tantalum capacitors can be used; however, use caution with regard to the capacitor surge current rating. These capacitors must be able to handle the surge current at power-up.

## 5.8 Output Capacitor Selection

The ISL8215M is designed for low output voltage ripple. In general, select output capacitors to meet the dynamic regulation requirements including ripple voltage and load transients. These requirements can be met with bulk output capacitors that have adequately low ESR and ESL.

High frequency capacitors initially supply the transient current and slow the slew rate of load transient seen by the bulk capacitors. The bulk filter capacitor values are generally determined by the ESR and ESL and voltage rating requirements, as well as actual capacitance requirements.

Place high frequency decoupling capacitors as close to the power pins of the load as physically possible. Be careful not to add inductance in the circuit board wiring that could cancel the usefulness of these low ESR/ESL components. Consult with the manufacturer of the load circuitry for specific decoupling requirements.

Use only specialized low ESR capacitors intended for switching regulator applications for the bulk capacitors. In most cases, multiple small case electrolytic capacitors perform better than a single large case capacitor.

In conclusion, the output capacitors must meet the following criteria:

- They must have sufficient bulk capacitance to sustain the output voltage during a load transient while the output inductor current is slewing to the value of the load transient.
- The ESR must be sufficiently low to meet the desired output voltage ripple due to the output inductor current.

The recommended output capacitor value for the ISL8215M is between 400 $\mu$ F and 1000 $\mu$ F. See [Tables 1](#) and [2](#) on [page 9](#) for more capacitor information. All ceramic capacitors are possible with loop analysis to ensure stability.

## 6. Protection Circuits

### 6.1 Undervoltage Lockout (UVLO)

The ISL8215M includes UVLO protection, which keeps the device in a reset condition until a proper operating voltage is applied. It also shuts down the ISL8215M if the operating voltage drops below a predefined value. Upon assertion of the UVLO state, the controller is completely disabled. PGOOD is valid and will be deasserted.

### 6.2 Overcurrent Protection

The ISL8215M uses the lower MOSFET's ON-resistance,  $r_{DS(ON)}$ , to monitor the current in the converter. The sensed voltage drop across the MOSFET's drain-to-source is compared to a threshold voltage set by the resistor,  $R_{OCSET}$ , connected from the OCS pin to ground. Because  $r_{DS(ON)}$  is higher at hot temperatures and lower at cold temperatures, the OCP setpoint at room and cold temperatures is higher than the OCP setpoint at hot temperatures.

For applications involving less than 15A load, Renesas recommends further reducing the OCP setpoint to improve the system reliability. Use [Equation 9](#) to calculate the value of the OCP set resistor.

$$(EQ. 9) \quad R_{OCSET} = \frac{(26.1 \cdot R_{Nom} \cdot (I_O/15))}{(R_{Nom} \cdot (1 - (I_O/15)) + 26.1)} k\Omega$$

where

$I_O$  = Desired full load current (A)

$R_{OCSET}$  = Resistor connected to the OCS pin (k $\Omega$ )

$R_{Nom}$  =  $R_{OCSET}$  resistor to ensure 15A full load operation (k $\Omega$ )

$R_{OCSET}$  values for ensuring 15A full load operation:

- 20M $\Omega$  for 3.3V output and below (simulating a “Do Not Populate” (DNP) condition)
- 205k $\Omega$  for 5V output
- 118k $\Omega$  for 12V output

In [Equation 9](#) the typical load current to hit OCP at +120°C is set to around 20% higher than the desired full load current. The 20% margin is due to the controller OCP and the MOSFET  $r_{DS(ON)}$  tolerance.

If an overcurrent is detected, the upper MOSFET remains off and the lower MOSFET remains on until the next cycle. As a result, the converter skips a pulse. When the overload condition is removed, the converter resumes normal operation. If an overcurrent is detected for two consecutive clock cycles, the module enters Hiccup mode by turning off the gate driver and entering soft-start. The ISL8215M stays off for 50ms before trying to restart and continues to cycle through soft-start until the overcurrent condition is removed. Hiccup mode is active during soft-start, so ensure that the peak inductor current does not exceed the overcurrent threshold during soft-start.

When OCP is triggered, the SS/TRK pin is pulled to ground by an internal MOSFET for hiccup restart. When configured to track another voltage rail, the SS/TRK pin rises up much faster than the internal minimum soft-start ramp. The voltage reference is then clamped to the internal minimum soft-start ramp. Thus, smooth soft-start hiccup is achieved even with the tracking function.

### 6.3 Overvoltage Protection

The overvoltage set point is set at 121% of the nominal output voltage set by the feedback resistors. In case of an overvoltage event, the module attempts to bring the output voltage back into regulation by keeping the upper MOSFET turned off and the lower MOSFET turned on. If the overvoltage condition is corrected and the output voltage returns to 110% of the nominal output voltage, both high-side and low-side MOSFETs turn off until the output voltage drops to the nominal voltage to start work in normal PWM switching.

### 6.4 Over-Temperature Protection

The IC incorporates an over-temperature protection circuit that shuts down the IC when a die temperature of +150°C is reached. Normal operation resumes when the die temperature drops below +145°C through the initiation of a full soft-start cycle. During OTP shutdown, the IC consumes only 100µA current. When the controller is disabled, thermal protection is inactive. This helps achieve a very low shutdown current of 5µA.

## 7. Layout Guidelines

Careful attention to layout requirements is necessary for successful implementation of an ISL8215M based DC/DC converter. The ISL8215M switches at a very high frequency. Therefore, the switching times are very short. At these switching frequencies, even the shortest trace has significant impedance. The peak gate drive current also rises significantly in an extremely short time. Current transition speed from one device to another causes voltage spikes across the interconnecting impedances and parasitic circuit elements. These voltage spikes can degrade efficiency, generate EMI, and increase device overvoltage stress and ringing. Careful component selection and proper PCB layout minimize the magnitude of these voltage spikes.

### 7.1 Layout Considerations

- (1) Place the input capacitors and high frequency decoupling ceramic capacitors between VIN and PGND, as close to the module as possible. The loop formed by the input capacitor, VIN pad, and PGND must be as small as possible to minimize the high frequency noise. Place the output capacitors close to the load. Use short, wide copper planes to connect the output capacitors to the load to avoid any parasitic inductances and resistances. A layout example is shown in [Figures 46 and 47 on page 30](#).
- (2) VIN, VOUT, and PGND should use large copper planes to minimize conduction loss and thermal stress. Use enough vias to connect the power planes in different layers.
- (3) Use full ground planes in the internal layers (underneath the module) with shared SGND and PGND to simplify the layout design. Renesas recommends using slots, as shown in [Figure 48 on page 30](#), to ensure that the switching current avoids the SGND pad of the module. Use as much GND plane as possible for the layer directly above the bottom layer (containing components like input caps, output caps, etc). Use the top and bottom layer to route the EN, VCC, and PGOOD signals.
- (4) For a switching frequency of 300kHz and a 42V input, connect a 4.02Ω 1206 resistor and a 270pF 100V X7R 0603 capacitor in series from PH to VIN. Derate the resistor size for switching frequencies higher than 300kHz. Calculate the power dissipated in resistor R5 ( $P_{cal}$ ) by using the formula  $C \cdot V^2 \cdot f$ , where:
  - C = 270pF
  - V = input voltage
  - f = frequency of operation
 For derating purposes, the nominal power handling capability of the resistor package size should be at least  $P_{cal}/0.65$ . The 65% derating is derived from the resistor operation at +100°C ambient temperature. Use a standard thick film chip resistor datasheet to find the correct resistor package size for different switching frequencies and input voltage.
- (5) Make sure that UG1 and UG2 (D6 and K4) are connected externally through a PCB trace. Make a similar connection for the two EN pins (A6 and A8). Refer to [“Pin Configuration” on page 7](#) and [“Pin Descriptions” on page 7](#).
- (6) Use a remote sensing trace to connect to the VOUT+ of load to achieve a tight output voltage regulation. Route the remote sense trace underneath the GND layer and avoid routing the sense lines near noisy planes such as the PHASE node. Place a 2Ω resistor close to the RS pin to damp the noise on the traces.
- (7) To avoid ground bouncing issues, place the V<sub>IN</sub> return and the V<sub>OUT</sub> return diagonally opposite to each other. This ensures that the switching noise generated by the power-train has minimal effect on the controller operation.
- (8) Do not unnecessarily oversize the copper islands for the PHASE node. Because the phase nodes are subjected to very high dv/dt voltages, the parasitic capacitor formed between these islands and the surrounding circuitry tends to couple the switching noise. Ensure that none of the sensitive signal traces are routed close to the PHASE node plane.
- (9) Place the VCC bypass capacitor underneath the VCC pin and connect its ground to the PGND pad. Connect the low side feedback resistor and the decoupling cap for VOUT1 to the SGND pad.

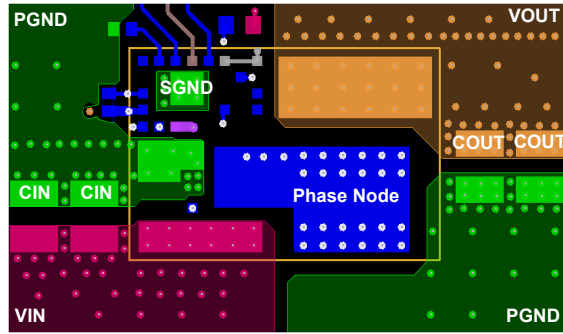


Figure 46. Layout Example - Top Layer

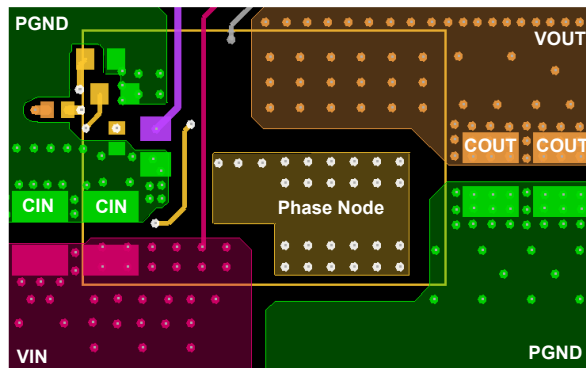


Figure 47. Layout Example - Bottom Layer

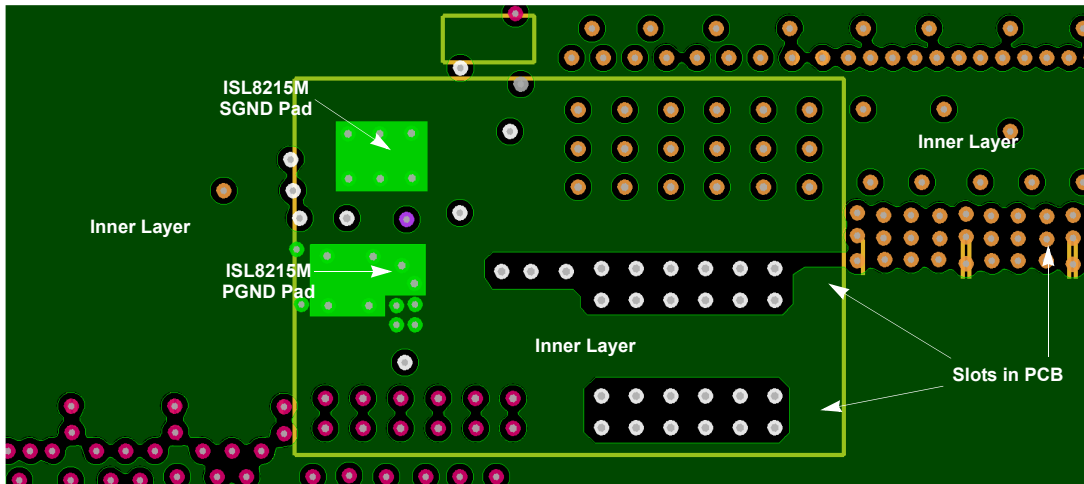


Figure 48. Layout Example - SGND is Connected to PGND Through Internal Layer

## 8. Thermal Considerations

Experimental power loss curves, along with  $\theta_{JA}$  from thermal modeling analysis, can be used to evaluate the thermal consideration for the module. The derating curves are derived from the maximum power allowed while maintaining temperature below the maximum junction temperature of +120°C. In applications in which the system parameters and layout are different from the evaluation board, the customer can adjust the margin of safety. All derating curves are obtained from the tests on a 4-layer thermal test board 4.5x3 inches in size. Refer to [TB379](#) for more details. In the actual application, other heat sources and design margins should be considered.

## 9. Package Description

The ISL8215M uses the High Density Array No-lead package (HDA). This kind of package has advantages such as good thermal and electrical conductivity, low weight, and small size. The HDA package is applicable for surface mounting technology and is being more readily used in the industry. The ISL8215M contains several types of devices, including resistors, capacitors, inductors, and control ICs. The ISL8215M is a copper leadframe based package with exposed copper thermal pads, which have good electrical and thermal conductivity. The copper lead frame and multi-component assembly is overmolded with polymer mold compound to protect these devices.

The package outline, typical PCB layout pattern design, and typical stencil pattern design are shown in the [Package Outline Drawing](#) starting on [page 35](#). The module has a small size of 19mmx13mmx5.3mm.

### 9.1 PCB Layout Pattern Design

The bottom of the ISL8215M is a lead-frame footprint, which is attached to the PCB by a surface mounting process. The PCB layout pattern is shown on [page 38](#) and [page 39](#). The PCB layout pattern is an array of solder mask defined PCB lands that align with the perimeters of the HDA exposed pads and I/O termination dimensions. The thermal lands on the PCB layout also feature an array of solder mask defined lands and should match 1:1 with the package exposed die pad perimeters. The exposed solder mask defined PCB land area should be 50% to 80% of the available module I/O area.

### 9.2 Thermal Vias

A grid of 1.0mm to 1.2mm pitch thermal vias, which drops down and connects to buried copper plane(s), should be placed under the thermal land. The vias should be about 0.3mm to 0.33mm in diameter with the barrel plated to about 1.0 ounce copper. Although adding more vias (by decreasing via pitch) improves the thermal performance, diminishing returns are seen as more vias are added. Simply use as many vias as practical for the thermal land size and your board design rules allow.

### 9.3 Stencil Pattern Design

Reflowed solder joints on the perimeter I/O lands should have about a 50 $\mu$ m to 75 $\mu$ m (2 mil to 3 mil) standoff height. The solder paste stencil design is the first step in developing optimized, reliable solder joints. Stencil aperture size to solder mask defined PCB land size ratio should typically be 1:1. The aperture width can be reduced slightly to help prevent solder bridging between adjacent I/O lands. A typical solder stencil pattern is shown on [page 36](#) and [page 37](#). Consider the symmetry of the whole stencil pattern when designing its pads. A laser cut, stainless steel stencil with electropolished trapezoidal walls is recommended. Electropolishing “smooths” the aperture walls resulting in reduced surface friction and better paste release, which reduces voids. Using a Trapezoidal Section Aperture (TSA) also promotes paste release and forms a “brick like” paste deposit that assists in firm component placement. A 0.1mm to 0.15mm stencil thickness is recommended for this large pitch (1.3mm) HDA.



## 9.4 Reflow Parameters

Due to the low mount height of the HDA, “No Clean” Type 3 solder paste per ANSI/J-STD-005 is recommended. Nitrogen purge is also recommended during reflow. A system board reflow profile depends on the thermal mass of the entire populated board, so it is not practical to define a specific soldering profile just for the HDA. The profile in [Figure 49](#) is provided as a guideline to be customized for varying manufacturing practices and applications.

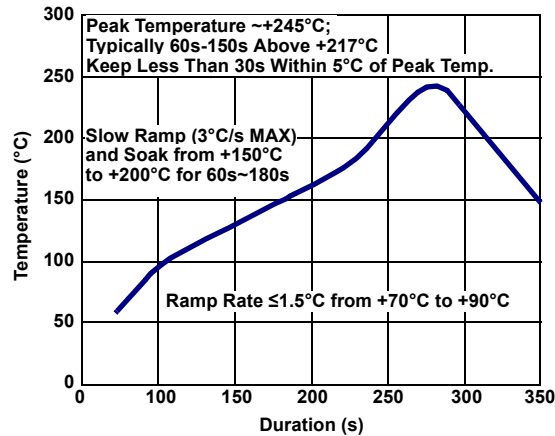


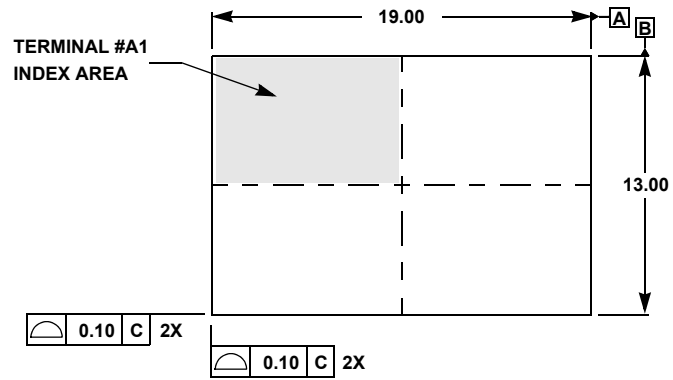
Figure 49. Typical Reflow Profile

## 10. Revision History

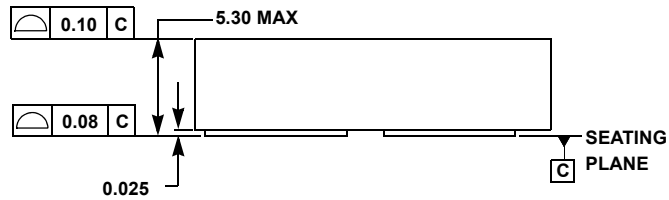
Rev.	Date	Description
2.00	Nov 26, 2018	Updated the following figures: Figure 1 on page 1 Figures 3 and 4 on page 4 Figures 5 and 6 on page 5 Figures 38 and 39 on page 19 Figures 43 on page 23 Updated the Ordering Information table on page 7: Added Tape and Reel column Added ISL8215MEVALZ2 Removed ISL8215MEVAL1Z Removed About Intersil section and added Renesas disclaimer.
1.00	Aug 30, 2017	Updated Figure 2 on page 1. Updated table in Section 1.5, Pin Descriptions. Added R5 (Package) column to Table 1 on page 9. Updated Over-Temperature Shutdown value on page 13. Updated requirements in Section 7.1, Layout Considerations.
0.00	Aug 1, 2017	Initial release

# 11. Package Outline Drawing

Y22.19x13  
22 I/O 19mmx13mmx5.30mm HDA MODULE  
Rev 1, 11/16



TOP VIEW

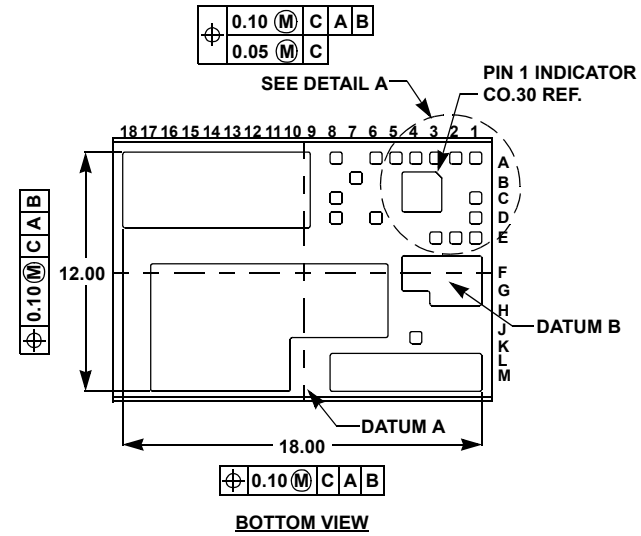


SIDE VIEW

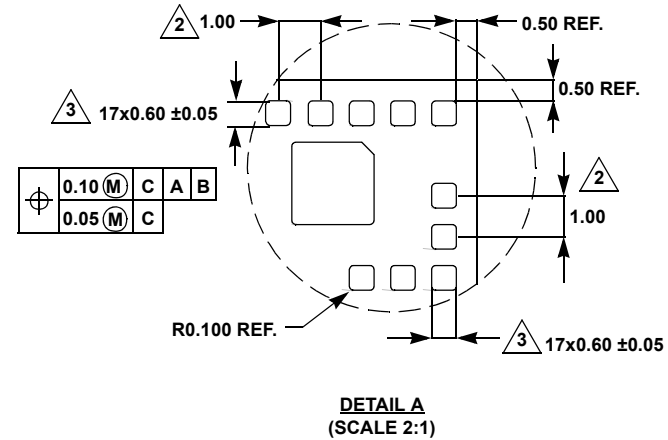
**NOTES:**

1. All dimensions are in millimeters.
2. Represents the basic land grid pitch.
3. These 17 I/Os are centered in a fixed row and column matrix at 1.0mm pitch BSC.
4. Dimensioning and tolerancing per ASME Y14.5-2009.
5. Tolerance for exposed PAD edge location dimension is  $\pm 0.1$ mm.

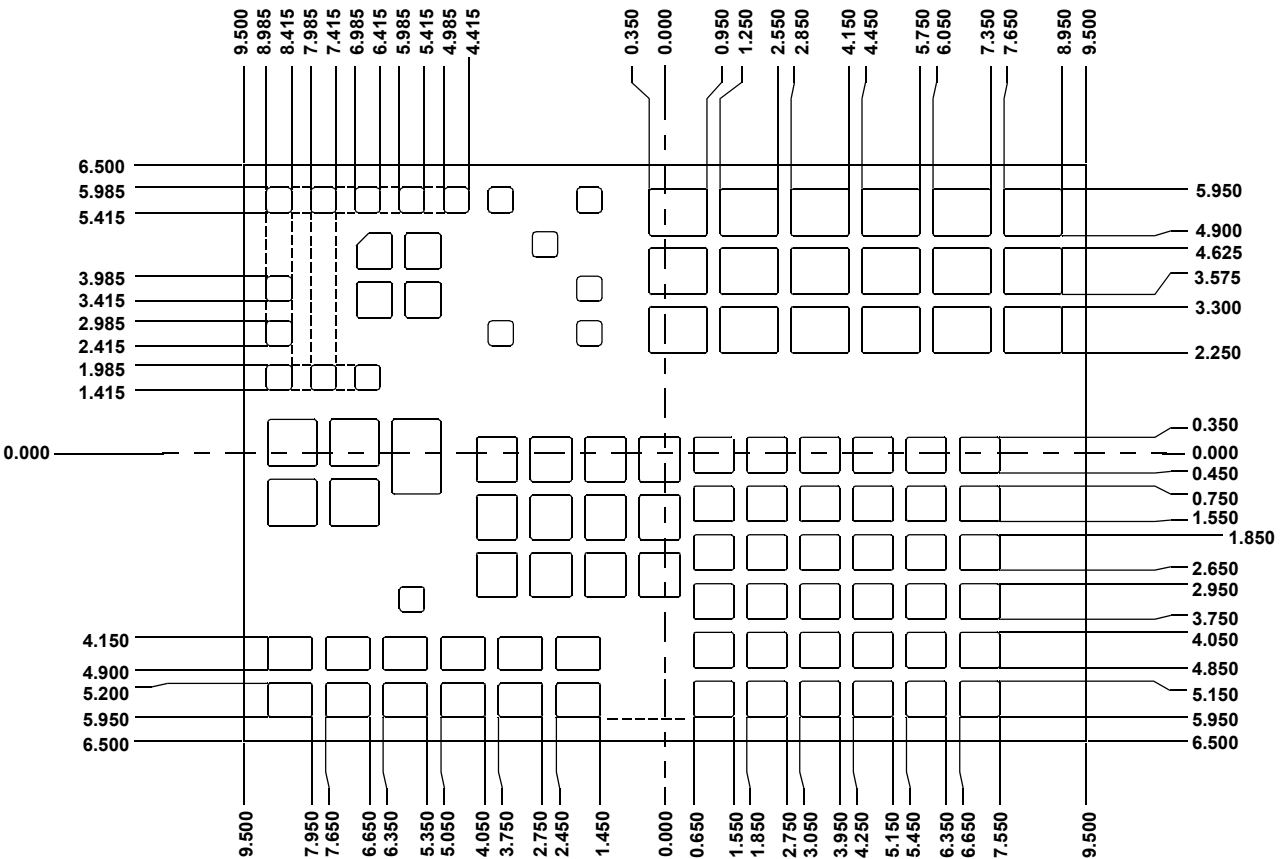
For the most recent package outline drawing, see [Y22.19x13](#).



BOTTOM VIEW

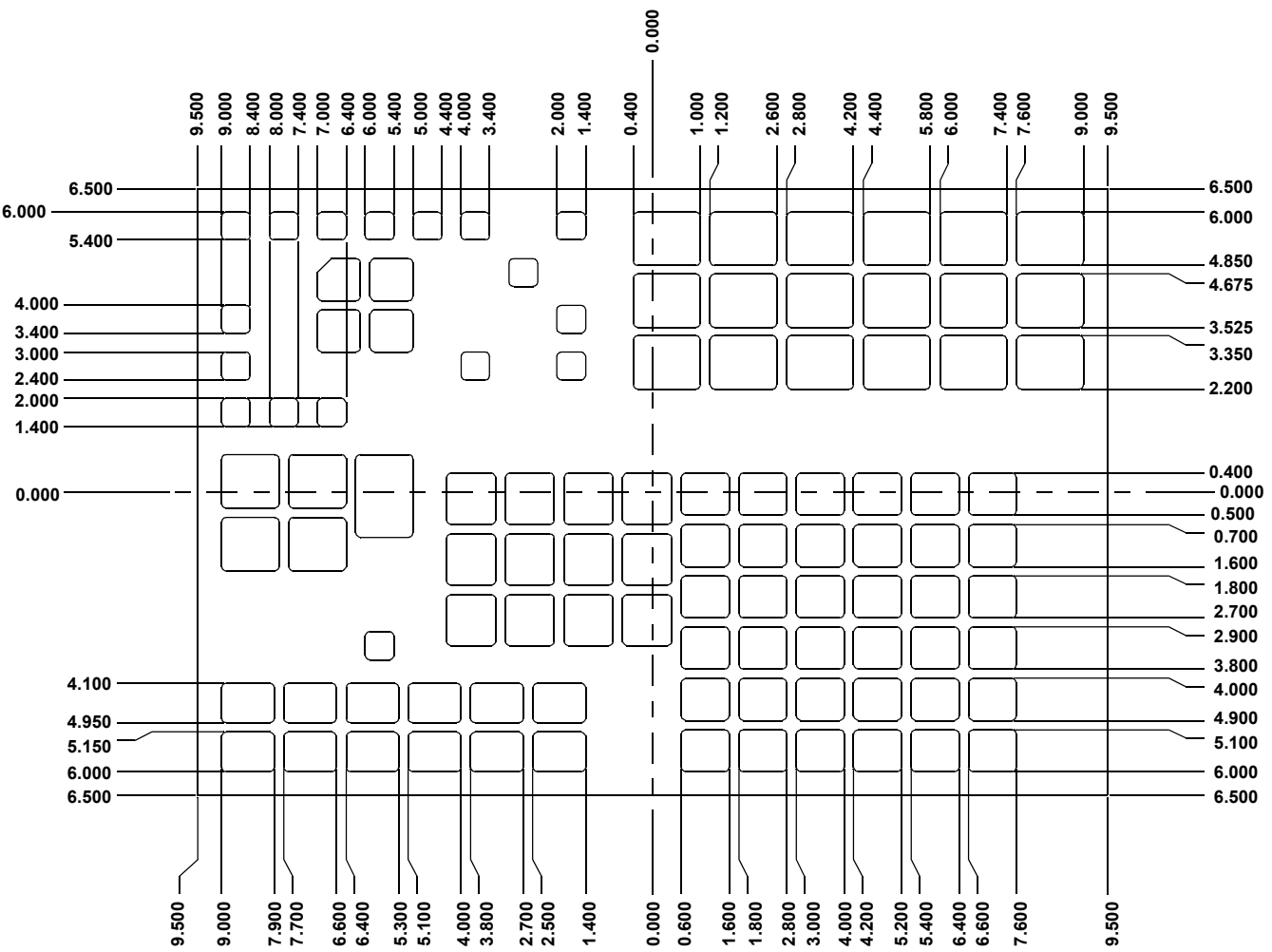


DETAIL A  
(SCALE 2:1)



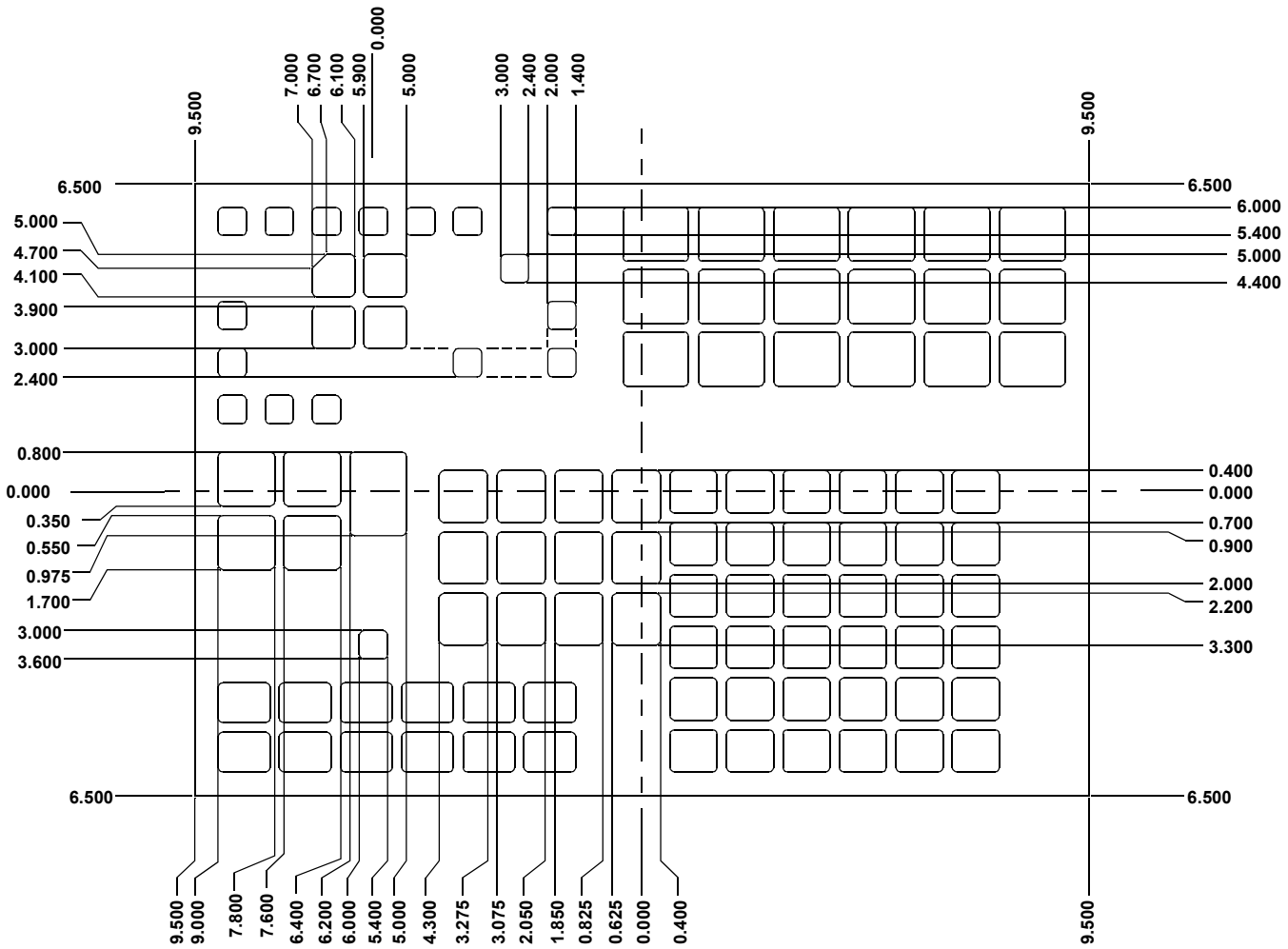
RECOMMENDED SOLDER STENCIL  
TOP VIEW 1





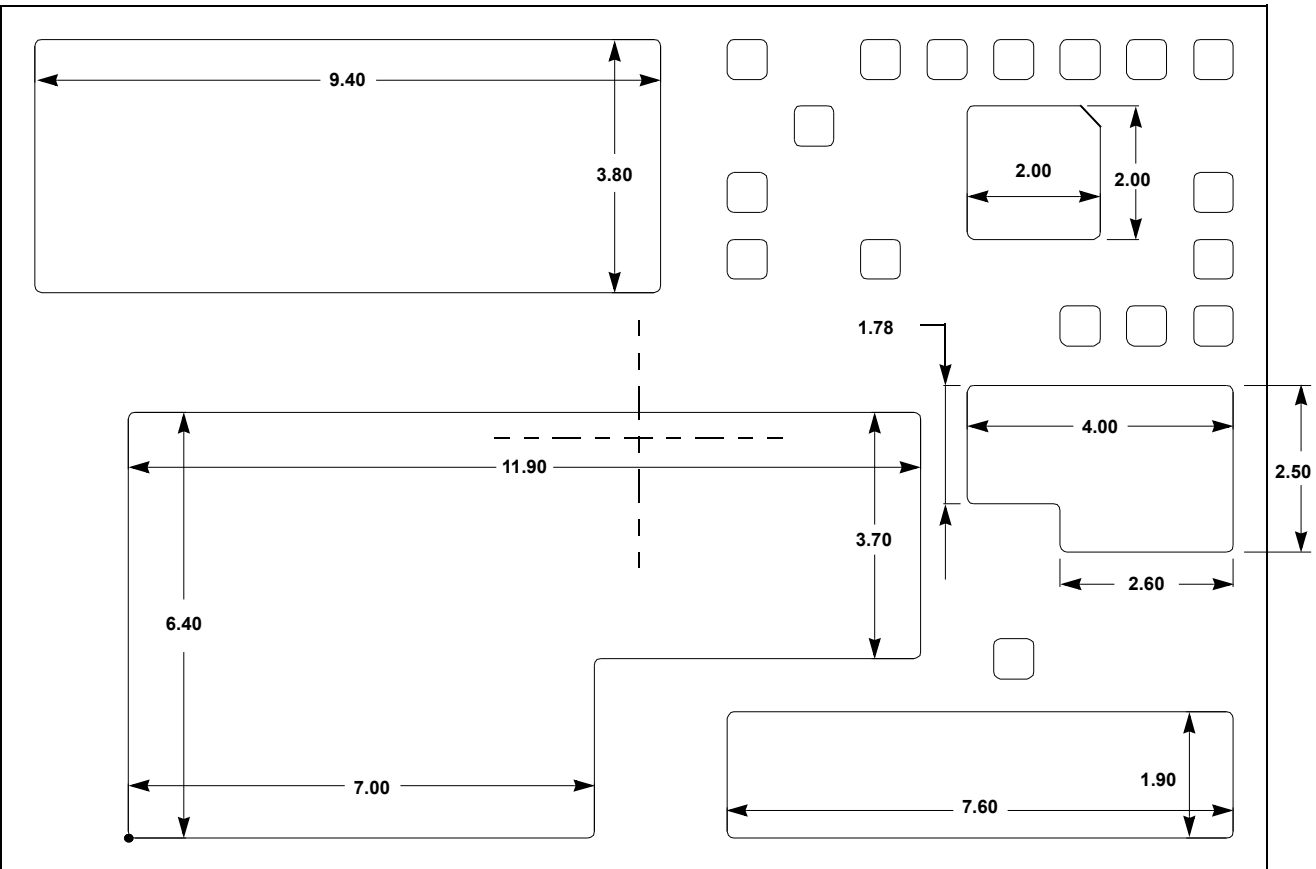
RECOMMENDED POSITIVE SOLDER MASK DEFINED PCB LAND PATTERN

TOP VIEW 1



**RECOMMENDED POSITIVE SOLDER MASK DEFINED PCB LAND PATTERN**

**TOP VIEW 2**



SIZE DETAILS FOR THE 5 EXPOSED PADS





## Notice

1. Descriptions of circuits, software and other related information in this document are provided only to illustrate the operation of semiconductor products and application examples. You are fully responsible for the incorporation or any other use of the circuits, software, and information in the design of your product or system. Renesas Electronics disclaims any and all liability for any losses and damages incurred by you or third parties arising from the use of these circuits, software, or information.
2. Renesas Electronics hereby expressly disclaims any warranties against and liability for infringement or any other claims involving patents, copyrights, or other intellectual property rights of third parties, by or arising from the use of Renesas Electronics products or technical information described in this document, including but not limited to, the product data, drawings, charts, programs, algorithms, and application examples.
3. No license, express, implied or otherwise, is granted hereby under any patents, copyrights or other intellectual property rights of Renesas Electronics or others.
4. You shall not alter, modify, copy, or reverse engineer any Renesas Electronics product, whether in whole or in part. Renesas Electronics disclaims any and all liability for any losses or damages incurred by you or third parties arising from such alteration, modification, copying or reverse engineering.
5. Renesas Electronics products are classified according to the following two quality grades: "Standard" and "High Quality". The intended applications for each Renesas Electronics product depends on the product's quality grade, as indicated below.  
"Standard": Computers; office equipment; communications equipment; test and measurement equipment; audio and visual equipment; home electronic appliances; machine tools; personal electronic equipment; industrial robots; etc.  
"High Quality": Transportation equipment (automobiles, trains, ships, etc.); traffic control (traffic lights); large-scale communication equipment; key financial terminal systems; safety control equipment; etc.  
Unless expressly designated as a high reliability product or a product for harsh environments in a Renesas Electronics data sheet or other Renesas Electronics document, Renesas Electronics products are not intended or authorized for use in products or systems that may pose a direct threat to human life or bodily injury (artificial life support devices or systems; surgical implantations; etc.), or may cause serious property damage (space system; undersea repeaters; nuclear power control systems; aircraft control systems; key plant systems; military equipment; etc.). Renesas Electronics disclaims any and all liability for any damages or losses incurred by you or any third parties arising from the use of any Renesas Electronics product that is inconsistent with any Renesas Electronics data sheet, user's manual or other Renesas Electronics document.
6. When using Renesas Electronics products, refer to the latest product information (data sheets, user's manuals, application notes, "General Notes for Handling and Using Semiconductor Devices" in the reliability handbook, etc.), and ensure that usage conditions are within the ranges specified by Renesas Electronics with respect to maximum ratings, operating power supply voltage range, heat dissipation characteristics, installation, etc. Renesas Electronics disclaims any and all liability for any malfunctions, failure or accident arising out of the use of Renesas Electronics products outside of such specified ranges.
7. Although Renesas Electronics endeavors to improve the quality and reliability of Renesas Electronics products, semiconductor products have specific characteristics, such as the occurrence of failure at a certain rate and malfunctions under certain use conditions. Unless designated as a high reliability product or a product for harsh environments in a Renesas Electronics data sheet or other Renesas Electronics document, Renesas Electronics products are not subject to radiation resistance design. You are responsible for implementing safety measures to guard against the possibility of bodily injury, injury or damage caused by fire, and/or danger to the public in the event of a failure or malfunction of Renesas Electronics products, such as safety design for hardware and software, including but not limited to redundancy, fire control and malfunction prevention, appropriate treatment for aging degradation or any other appropriate measures. Because the evaluation of microcomputer software alone is very difficult and impractical, you are responsible for evaluating the safety of the final products or systems manufactured by you.
8. Please contact a Renesas Electronics sales office for details as to environmental matters such as the environmental compatibility of each Renesas Electronics product. You are responsible for carefully and sufficiently investigating applicable laws and regulations that regulate the inclusion or use of controlled substances, including without limitation, the EU RoHS Directive, and using Renesas Electronics products in compliance with all these applicable laws and regulations. Renesas Electronics disclaims any and all liability for damages or losses occurring as a result of your noncompliance with applicable laws and regulations.
9. Renesas Electronics products and technologies shall not be used for or incorporated into any products or systems whose manufacture, use, or sale is prohibited under any applicable domestic or foreign laws or regulations. You shall comply with any applicable export control laws and regulations promulgated and administered by the governments of any countries asserting jurisdiction over the parties or transactions.
10. It is the responsibility of the buyer or distributor of Renesas Electronics products, or any other party who distributes, disposes of, or otherwise sells or transfers the product to a third party, to notify such third party in advance of the contents and conditions set forth in this document.
11. This document shall not be reprinted, reproduced or duplicated in any form, in whole or in part, without prior written consent of Renesas Electronics.
12. Please contact a Renesas Electronics sales office if you have any questions regarding the information contained in this document or Renesas Electronics products.

(Note 1) "Renesas Electronics" as used in this document means Renesas Electronics Corporation and also includes its directly or indirectly controlled subsidiaries.

(Note 2) "Renesas Electronics product(s)" means any product developed or manufactured by or for Renesas Electronics.

(Rev.4.0-1 November 2017)



### SALES OFFICES

Renesas Electronics Corporation

<http://www.renesas.com>

Refer to "<http://www.renesas.com>" for the latest and detailed information.

#### Renesas Electronics Corporation

TOYOSU FORESIA, 3-2-24 Toyosu, Koto-ku, Tokyo 135-0061, Japan

#### Renesas Electronics America Inc.

1001 Murphy Ranch Road, Milpitas, CA 95035, U.S.A.  
Tel: +1-408-432-8888, Fax: +1-408-434-5351

#### Renesas Electronics Canada Limited

9251 Yonge Street, Suite 8309 Richmond Hill, Ontario Canada L4C 9T3  
Tel: +1-905-237-2004

#### Renesas Electronics Europe Limited

Dukes Meadow, Millboard Road, Bourne End, Buckinghamshire, SL8 5FH, U.K  
Tel: +44-1628-651-700

#### Renesas Electronics Europe GmbH

Arcadiastrasse 10, 40472 Düsseldorf, Germany  
Tel: +49-211-6503-0, Fax: +49-211-6503-1327

#### Renesas Electronics (China) Co., Ltd.

Room 1709 Quantum Plaza, No.27 ZhichunLu, Haidian District, Beijing, 100191 P. R. China  
Tel: +86-10-8235-1155, Fax: +86-10-8235-7679

#### Renesas Electronics (Shanghai) Co., Ltd.

Unit 301, Tower A, Central Towers, 555 Langao Road, Putuo District, Shanghai, 200333 P. R. China  
Tel: +86-21-2226-0888, Fax: +86-21-2226-0999

#### Renesas Electronics Hong Kong Limited

Unit 1601-1611, 16/F., Tower 2, Grand Century Place, 193 Prince Edward Road West, Mongkok, Kowloon, Hong Kong  
Tel: +852-2265-6688, Fax: +852 2886-9022

#### Renesas Electronics Taiwan Co., Ltd.

13F, No. 363, Fu Shing North Road, Taipei 10543, Taiwan  
Tel: +886-2-8175-9600, Fax: +886 2-8175-9670

#### Renesas Electronics Singapore Pte. Ltd.

80 Bendemeer Road, Unit #06-02 Hyflux Innovation Centre, Singapore 339949  
Tel: +65-6213-0200, Fax: +65-6213-0300

#### Renesas Electronics Malaysia Sdn.Bhd.

Unit 1207, Block B, Menara Amcorp, Amcorp Trade Centre, No. 18, Jln Persiaran Barat, 46050 Petaling Jaya, Selangor Darul Ehsan, Malaysia  
Tel: +60-3-7955-9390, Fax: +60-3-7955-9510

#### Renesas Electronics India Pvt. Ltd.

No.777C, 100 Feet Road, HAL 2nd Stage, Indiranagar, Bangalore 560 038, India  
Tel: +91-80-67208700, Fax: +91-80-67208777

#### Renesas Electronics Korea Co., Ltd.

17F, KAMCO Yangjae Tower, 262, Gangnam-daero, Gangnam-gu, Seoul, 06265 Korea  
Tel: +82-2-558-3737, Fax: +82-2-558-5338