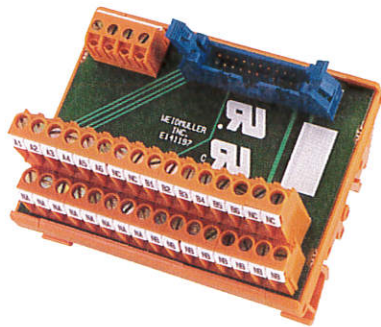
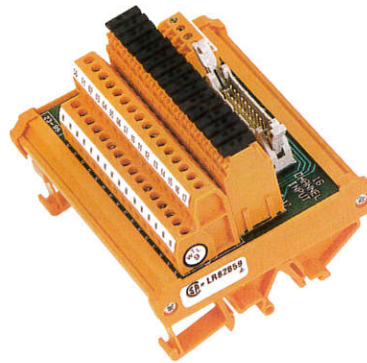


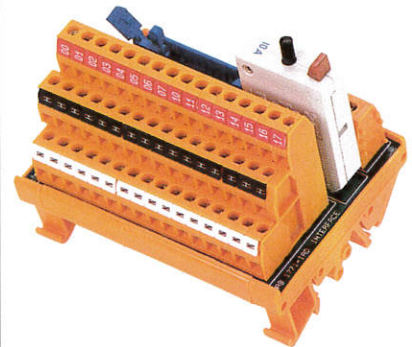
**Passive - 2 wire  
12 Channel  
Output  
GE Fanuc**



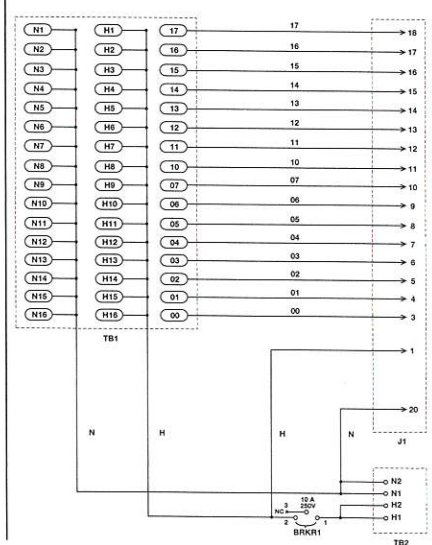
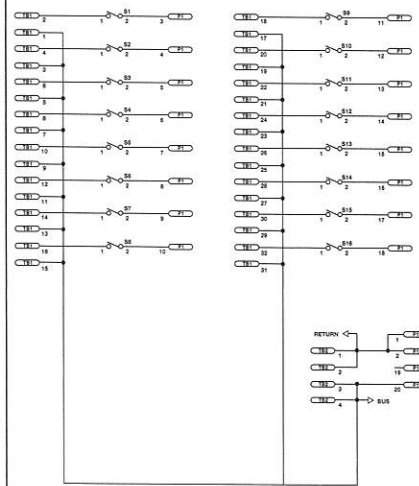
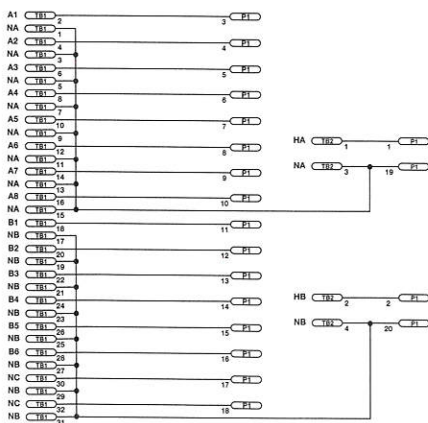
**Passive - 2 wire  
16 Channel  
Input Disconnect  
Allen-Bradley, GE Fanuc**



**Passive - 3 wire  
16 Channel  
Input w/Circuit Breaker  
Allen-Bradley, GE Fanuc**



RS PLC GE9030 MDL310		RS RI 16 DIS		RS RI IAD 16 BKR		
<b>998055</b>	IC693MDL310	<b>919722</b>	120 VAC, 24 VDC	AB 1771-IBD, IAD	<b>915290</b>	AB 1771-IAD
		<b>919778</b>	120 VAC, 24 VDC	AB 1746-IA16, IB16	<b>919775</b>	AB 1746-IA16
		<b>919776</b>	24 VDC Source	AB 1746-IV16	<b>919765</b>	GEF IC693MDL240,241
		<b>919767</b>	120 VAC, 24 VDC	GEF IC693MDL240, 241		
		<b>919766</b>	24 VDC Neg.	GEF IC693MDL241		
120 VAC		See Above			120 VAC	
3.0 A per channel / 3.0 A per group / 3.0 A per common		3.0 A per channel / 6.0 A per module			2.5 A per channel / 3.0 A per group of 16 / 10 A circuit breaker	
(1) 1 x 20 pin IDC		(1) 1 x 20 pin IDC			(1) 1 x 20 pin IDC	
No		No			No	
0°C...+50°C		0°C...+50°C			0°C...+50°C	
-20°C...+60°C		-20°C...+60°C			-20°C...+60°C	
90 x 70 x 56		105 x 87 x 75			96 x 70 x 89	
#26...14 AWG		#26...14 AWG			#26...14 AWG	
Screw Clamp		Screw Clamp			Screw Clamp	



Note: Markings vary based on I/O used.