

| | |
|-----------|-----------|
| CMPD2003 | CMPD2004 |
| CMPD2003A | CMPD2004A |
| CMPD2003C | CMPD2004C |
| CMPD2003S | CMPD2004S |

**SURFACE MOUNT
HIGH VOLTAGE
SILICON SWITCHING DIODE**



www.centrasemi.com

DESCRIPTION:

The CENTRAL SEMICONDUCTOR CMPD2003, CMPD2003A, CMPD2003C, CMPD2003S, CMPD2004, CMPD2004A, CMPD2004C and CMPD2004S types are silicon switching diodes manufactured by the epitaxial planar process, designed for applications requiring high voltage capability.



SOT-23 CASE

The following configurations are available:

| | |
|------------------|----------------------|
| CMPD2003 | SINGLE |
| CMPD2003A | DUAL, COMMON ANODE |
| CMPD2003C | DUAL, COMMON CATHODE |
| CMPD2003S | DUAL, IN SERIES |
| CMPD2004 | SINGLE |
| CMPD2004A | DUAL, COMMON ANODE |
| CMPD2004C | DUAL, COMMON CATHODE |
| CMPD2004S | DUAL, IN SERIES |

| |
|--------------------------|
| MARKING CODE: A82 |
| MARKING CODE: 8A2 |
| MARKING CODE: C3C |
| MARKING CODE: C3S |
| MARKING CODE: D53 |
| MARKING CODE: DB8 |
| MARKING CODE: DB7 |
| MARKING CODE: DB6 |

MAXIMUM RATINGS: (T_A=25°C)

| |
|--|
| Continuous Reverse Voltage |
| Peak Repetitive Reverse Voltage |
| Average Forward Current |
| Continuous Forward Current |
| Peak Repetitive Forward Current |
| Peak Forward Surge Current, tp=1.0µs |
| Peak Forward Surge Current, tp=1.0s |
| Power Dissipation |
| Operating and Storage Junction Temperature |
| Thermal Resistance |

| SYMBOL | CMPD2003 | CMPD2004 | UNITS |
|-----------------------------------|-----------|-------------|-------|
| | CMPD2003A | CMPD2004A | |
| | CMPD2003C | CMPD2004C | |
| | CMPD2003S | CMPD2004S | |
| V _R | 200 | 240 | V |
| V _{RRM} | 250 | 300 | V |
| I _O | 200 | 200 | mA |
| I _F | 250 | 225 | mA |
| I _{FRM} | | 625 | mA |
| I _{FSM} | | 4.0 | A |
| I _{FSM} | | 1.0 | A |
| P _D | | 350 | mW |
| T _J , T _{stg} | | -65 to +150 | °C |
| θ _{JA} | | 357 | °C/W |

CMPD2003 CMPD2004
 CMPD2003A CMPD2004A
 CMPD2003C CMPD2004C
 CMPD2003S CMPD2004S

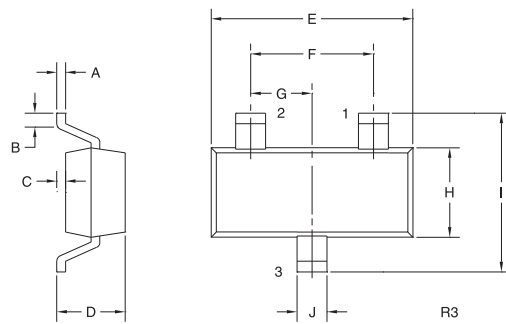


**SURFACE MOUNT
 HIGH VOLTAGE
 SILICON SWITCHING DIODE**

ELECTRICAL CHARACTERISTICS PER DIODE: ($T_A=25^\circ\text{C}$ unless otherwise noted)

| SYMBOL | TEST CONDITIONS | CMPD2003 | | CMPD2004 | | UNITS |
|----------|--|----------|------|----------|-----|---------------|
| | | MIN | MAX | MIN | MAX | |
| I_R | $V_R=200\text{V}$ | - | 100 | - | - | nA |
| I_R | $V_R=200\text{V}, T_A=150^\circ\text{C}$ | - | 100 | - | - | μA |
| I_R | $V_R=240\text{V}$ | - | - | - | 100 | nA |
| I_R | $V_R=240\text{V}, T_A=150^\circ\text{C}$ | - | - | - | 100 | μA |
| BV_R | $I_R=100\mu\text{A}$ | 250 | - | 300 | - | V |
| V_F | $I_F=100\text{mA}$ | - | 1.0 | - | 1.0 | V |
| V_F | $I_F=200\text{mA}$ | - | 1.25 | - | - | V |
| C_T | $V_R=0, f=1.0\text{MHz}$ | - | 5.0 | - | 5.0 | pF |
| t_{rr} | $I_R=I_F=30\text{mA}, R_L=100\Omega, \text{Rec. to } 3.0\text{mA}$ | - | 50 | - | 50 | ns |

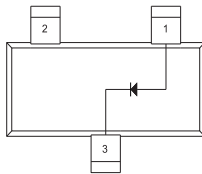
SOT-23 CASE - MECHANICAL OUTLINE



| SYMBOL | DIMENSIONS | | | |
|--------|------------|-------|-------------|------|
| | INCHES | | MILLIMETERS | |
| | MIN | MAX | MIN | MAX |
| A | 0.003 | 0.007 | 0.08 | 0.18 |
| B | 0.006 | - | 0.15 | - |
| C | - | 0.005 | - | 0.13 |
| D | 0.035 | 0.043 | 0.89 | 1.09 |
| E | 0.110 | 0.120 | 2.80 | 3.05 |
| F | 0.075 | | 1.90 | |
| G | 0.037 | | 0.95 | |
| H | 0.047 | 0.055 | 1.19 | 1.40 |
| I | 0.083 | 0.098 | 2.10 | 2.49 |
| J | 0.014 | 0.020 | 0.35 | 0.50 |

SOT-23 (REV: R3)

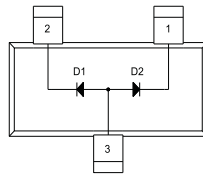
PIN CONFIGURATIONS



**CMPD2003
 CMPD2004**

LEAD CODE:

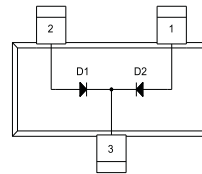
- 1) Anode
- 2) No Connection
- 3) Cathode



**CMPD2003A
 CMPD2004A**

LEAD CODE:

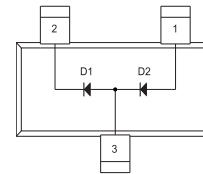
- 1) Cathode D2
- 2) Cathode D1
- 3) Anode D1, D2



**CMPD2003C
 CMPD2004C**

LEAD CODE:

- 1) Anode D2
- 2) Anode D1
- 3) Cathode D1, D2



**CMPD2003S
 CMPD2004S**

LEAD CODE:

- 1) Anode D2
- 2) Cathode D1
- 3) Anode D1, Cathode D2

MARKING CODE: SEE PREVIOUS PAGE

R9 (25-January 2010)

OUTSTANDING SUPPORT AND SUPERIOR SERVICES



PRODUCT SUPPORT

Central's operations team provides the highest level of support to insure product is delivered on-time.

- Supply management (Customer portals)
- Inventory bonding
- Consolidated shipping options
- Custom bar coding for shipments
- Custom product packing

DESIGNER SUPPORT/SERVICES

Central's applications engineering team is ready to discuss your design challenges. Just ask.

- Free quick ship samples (2nd day air)
- Online technical data and parametric search
- SPICE models
- Custom electrical curves
- Environmental regulation compliance
- Customer specific screening
- Up-screening capabilities
- Special wafer diffusions
- PbSn plating options
- Package details
- Application notes
- Application and design sample kits
- Custom product and package development

REQUESTING PRODUCT PLATING

1. If requesting Tin/Lead plated devices, add the suffix " TIN/LEAD" to the part number when ordering (example: 2N2222A TIN/LEAD).
2. If requesting Lead (Pb) Free plated devices, add the suffix " PBFREE" to the part number when ordering (example: 2N2222A PBFREE).

CONTACT US

Corporate Headquarters & Customer Support Team

Central Semiconductor Corp.
145 Adams Avenue
Hauppauge, NY 11788 USA
Main Tel: (631) 435-1110
Main Fax: (631) 435-1824
Support Team Fax: (631) 435-3388
www.centrasemi.com

Worldwide Field Representatives:
www.centrasemi.com/wwreps

Worldwide Distributors:
www.centrasemi.com/wwdistributors

For the latest version of Central Semiconductor's **LIMITATIONS AND DAMAGES DISCLAIMER**, which is part of Central's Standard Terms and Conditions of sale, visit: www.centrasemi.com/terms