
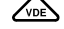


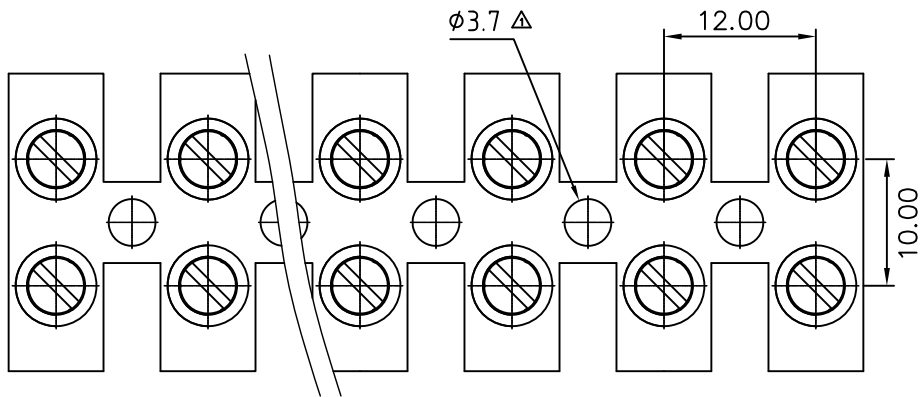
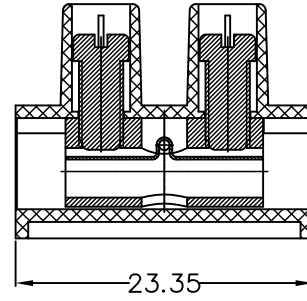
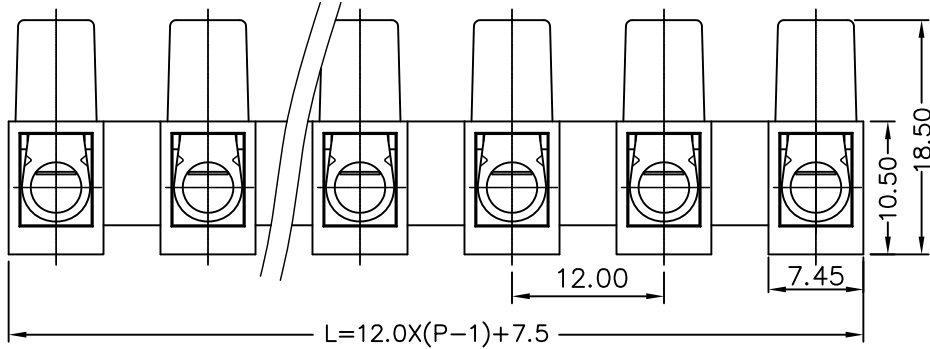
SIGN	DATE	DESCRIPTION	APPROVER
△	07.26.2012	Added mounting hole diameter	
THIS IS CAD DRAWING, DO NOT REVISE MANUALLY!!!			

NOTES:

1. Rating: 300V 30A (UL)
2. Insulation Withstanding Voltage: AC2000V/MIN
3. Insulation Resistance: $\geq 500M\Omega$ or more at DC500V
4. Temperature Range: $-33^{\circ}C/+105^{\circ}C$
5. Screw Torque Value: 7.0 lbf-in (UL)
6. Wire Range: 10-20AWG
8. Housing: Nylon PA66 (UL-94V0)
9. Screw M3.5, Steel, Zinc Plated
10. Standard Color: Natural
11. Wire protector material: Stainless Steel, w/out plating
12. Terminal: Brass w/Ni plating
11. Wire Protector Material: Stainless Steel without plating
12. Terminal: Brass with Ni plating

Agency Approvals:  

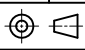
RoHS Compliant



DIM	P	2	3	4	5	6	7	8	9	10	11	12
L		19.5	31.5	43.5	55.5	67.5	79.5	91.5	103.5	115.5	127.5	139.5
TOL (±)		0.08	0.12	0.16	0.20	0.24	0.28	0.32	0.36	0.40	0.44	0.48

THESE DRAWINGS AND SPECIFICATIONS ARE THE PROPERTY OF ON-SHORE TECHNOLOGY, INC. AND SHALL NOT BE REPRODUCED, COPIED OR USED IN ANY MANNER WITHOUT THE PRIOR WRITTEN CONSENT OF ON-SHORE TECHNOLOGY, INC.



TITLE		ES1200 Series - 12.0mm Euro Strip, Wire guard, flat base				
PART NO.	ES1200/XXDSFB (XX - number of poles per row)	DWG NO.	ES1200/XXDSFB.DWG			
APPROVED	CHECKED	DESIGNED	DRAWN	5020		
KSZ 2007.08.01	KSZ 2007.08.01	KSZ 2007.08.01	KSZ 2007.08.01	Tolerance		
					UNIT: mm	.X ±0.15
					SCALE: NONE	.XX ±0.075
SHEET: 01/01				REV: A	.XXX ±0.05	