

## 3-INPUT 1-OUTPUT VIDEO SWITCH

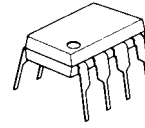
### ■ GENERAL DESCRIPTION

The **NJM2534** is a video switch for VCR, TV and others.  
It contains three bias-type inputs and one buffer-type output.

### ■ FEATURES

- Operating Voltage (+4.5V to +13V)
- Low Operating Current (4.7mA MAX)
- Crosstalk (-70dB)
- 2-Input, 1-Output
- Bipolar Technology
- Package Outline DIP8, DMP8, SIP8, SSOP8

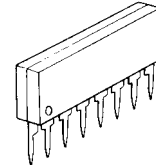
### ■ PACKAGE OUTLINE



**NJM2534D**



**NJM2534M**



**NJM2534L**



**NJM2534V**

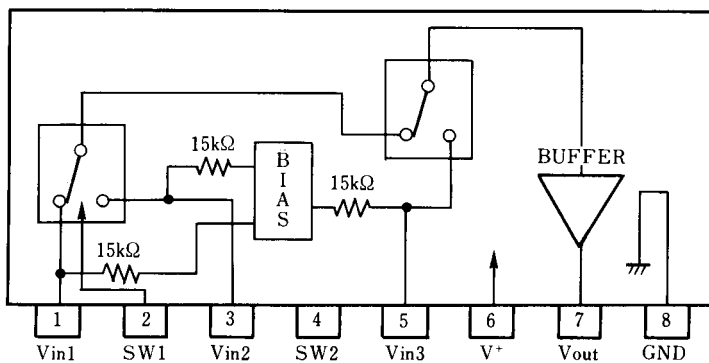
### ■ PIN CONFIGURATION



**NJM2534D**  
**NJM2534M**  
**NJM2534V**

#### PIN FUNCTION

- 1 : Vin1
- 2 : SW1
- 3 : Vin2
- 4 : SW2
- 5 : Vin3
- 6 : V<sup>+</sup>
- 7 : V<sub>OUT</sub>
- 8 : GND



**NJM2534L**

#### PIN FUNCTION

- 1 : Vin1
- 2 : SW1
- 3 : Vin2
- 4 : SW2
- 5 : Vin3
- 6 : V<sup>+</sup>
- 7 : V<sub>OUT</sub>
- 8 : GND

# NJM2534

## ■ ABSOLUTE MAXIMUM RATINGS

( $T_a = 25^\circ\text{C}$ )

PARAMETER	SYMBOL	RATINGS	UNIT
Supply Voltage	$V^+$	+15	V
Power Dissipation	$P_D$	(DIP-8) 500 (DMP-8) 300 (SIP-8) 800 (SSOP-8) 250	mW
Operating Temperature Range	$T_{opr}$	-40 to +85	$^\circ\text{C}$
Storage Temperature Range	$T_{stg}$	-40 to +125	$^\circ\text{C}$

## ■ ELECTRICAL CHARACTERISTICS

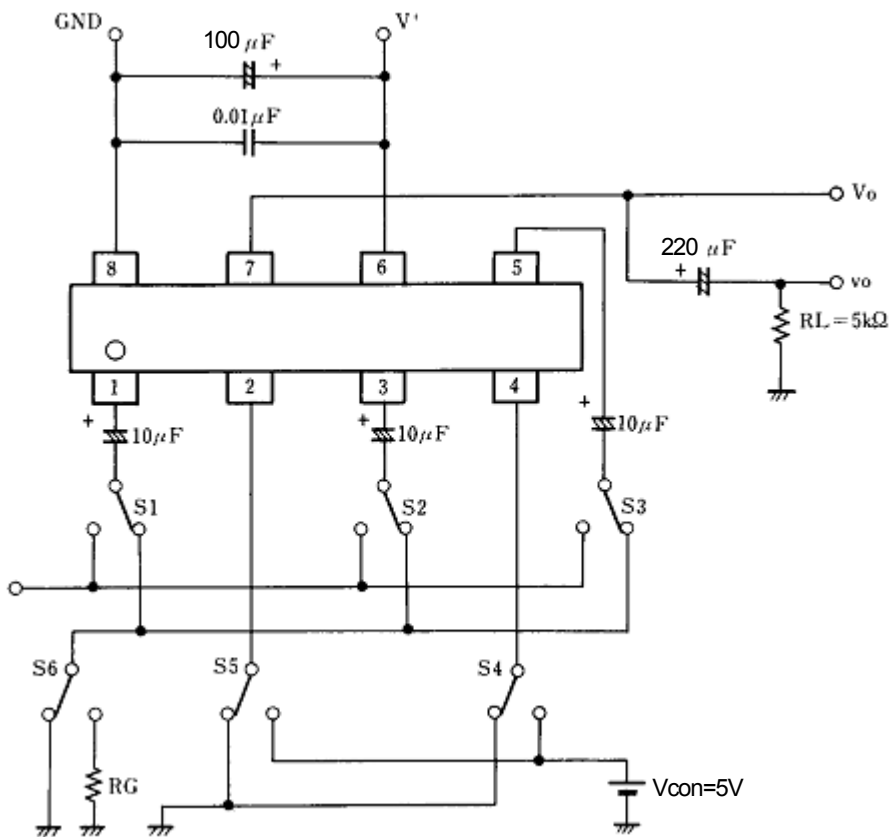
( $V^+ = 5\text{V}$ ,  $T_a = 25^\circ\text{C}$ )

PARAMETER	SYMBOL	TEST CONDITIONS	MIN.	TYP.	MAX.	UNIT
Operating Voltage	$V^+$		+4.5	-	+13.0	V
Operating Current	$I_{CC}$		-	3.7	4.7	mA
Frequency Characteristics	$G_f$	$V_{IN} = 2V_{PP}$ , $V_O = 10\text{MHz}/100\text{kHz}$	-1.0	0	+1.0	dB
Voltage Gain	$G_v$	$V_{IN} = 2V_{PP}$ , 100kHz	-0.5	0	+0.5	dB
Total Harmonic Distortion	THD	$V_{IN} = 2.5V_{PP}$ , 1kHz	-	0.05	0.1	%
Differential Gain	DG	$V_{IN} = 2V_{PP}$ , Standard staircase signal, APL = 50%	-	0	3.0	%
Differential Phase	DP	$V_{IN} = 2V_{PP}$ , Standard staircase signal, APL = 50%	-	0	3.0	deg
Output Offset Voltage	$V_{off}$		-30	0	+30	mV
Crosstalk	CT	$V_{IN} = 2V_{PP}$ , 4.3MHz	-	-70	-60	dB
Switching Voltage	$V_{CH}$		2.4	-	-	V
	$V_{CL}$		-	-	0.8	V
Input Impedance	$R_i$		-	30	-	k $\Omega$
Output Impedance	$R_o$		-	25	-	$\Omega$
Input Bias Voltage	$V_{IN}$		-	2.5	-	V

## ■ INPUT CONTROL SIGNAL-OUTPUT SIGNAL

SW1	SW2	OUTPUT SIGNAL
L	L	$V_{IN1}$
H	L	$V_{IN2}$
L/H	H	$V_{IN3}$

## ■ TEST CIRCUIT



Terminal DC voltage at test circuit (Ta=25°C)

Terminal name	Vin1	Vin2	Vin3	Vout
DC voltage (V)	$V^+/2$	$V^+/2$	$V^+/2$	$V^+/2 - 0.7$

# NJM2534

---

## ■ APPLICATION

This IC requires 0.1 $\mu$ F capacitor between INPUT and GND for bias type input at mute mode.



[CAUTION]  
The specifications on this databook are only given for information, without any guarantee as regards either mistakes or omissions. The application circuits in this databook are described only to show representative usages of the product and not intended for the guarantee or permission of any right including the industrial rights.