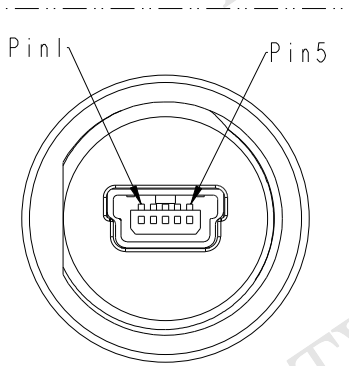
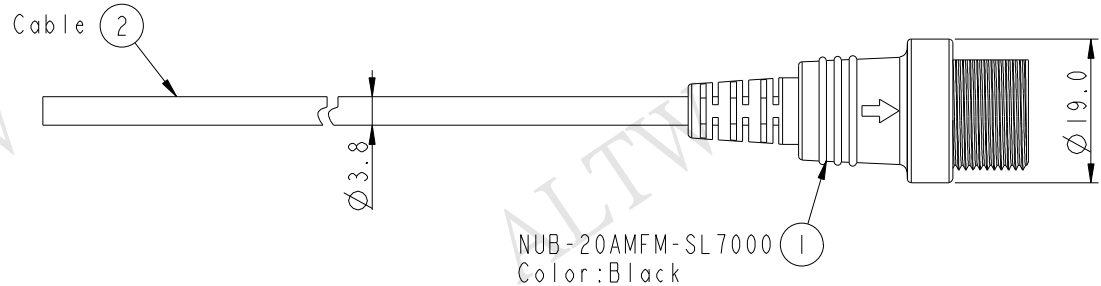
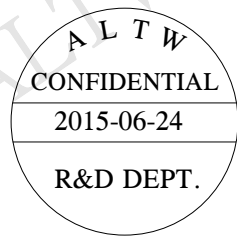
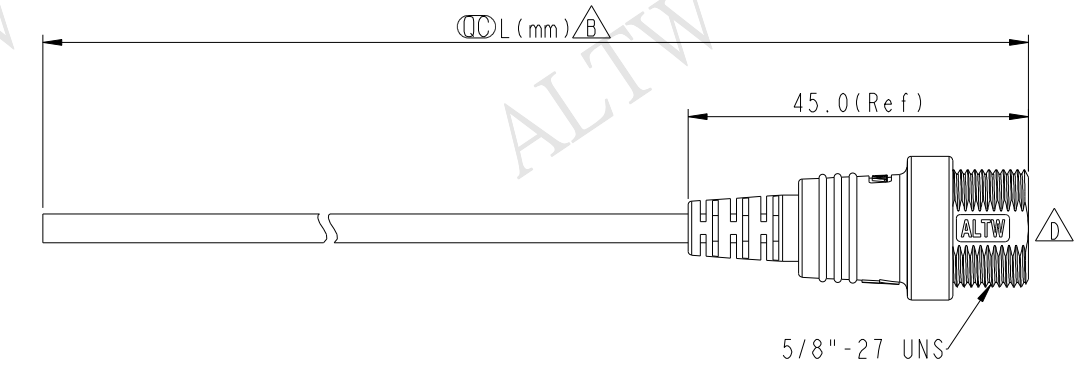


REV.	ECN NO.	DATE	SIGN	DESCRIPTION
B	LEN1150121~123	2011/05/18	Vicky	Modify Note & Tolerance
C	LEN13A0071-073	2013/10/16	Rensong	Change the housing material
D	LEN1560352~354	2015/06/24	Jinhai	Change Logo



Pin Assignment  
Front View

Shield	Drain	地線
5	Black	黑
4	Yellow	黃
3	Green	綠
2	White	白
1	Red	紅
Conn.	Wire Color	

NUB-20AMFM-SL7AXX

XX:01~04Meters  
 01:01Meter  
 02:02Meters  
 :  
 04:04Meters  
 Cable Length(L):01~04Maters

Twist  
對線

Note:  
 \*  $\varnothing$  Impoyrant Dimension  
 \* Waterproof Rate: IP67  
 \* Housing: Nylon+GF, Black  
 \* Jack: Mini USB 5PIN  
 \* Cable: UL2725 28AWG\*1P+28AWG\*3C+A+D+B, PVC Jacket, OD=3.8mm, Black  
 \* Cable Length Tolerance: 01M±40mm  
 02M~04M±60mm

UNIT:mm TOLERANCE ±0.5mm

TITLE MINI USB MOLDING TYPE M CONN F PIN			
SCALE 1:1	SIZE A4	SHEET 1	OF 1
REV. D	WC-REV. A.1	$\varnothing$ : Inspection item	

**Amphenol LTW**  
 安費諾亮泰企業股份有限公司

ITEM NO	DRAWN BY Jinhai	DATE 2015-06-24
DWG NO NUB-20AMFM-SL7AXX	CHECKED BY Tom	DATE 2015-06-24
CUSTOMER ALTW	APPROVED BY Jerry	DATE 2015-06-24

THIS DOCUMENT IS SUBJECT TO CHANGE WITHOUT NOTICE. IT IS CONFIDENTIAL AND A PROPERTY OF Amphenol LTW. DISCLOSURE TO THIRD PARTY HAS TO BE AUTHORIZED BY Amphenol LTW.