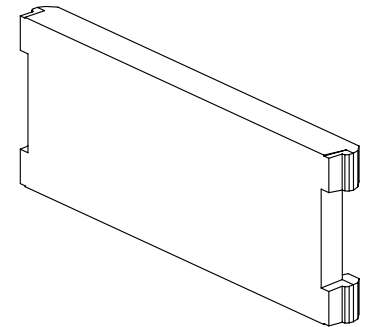
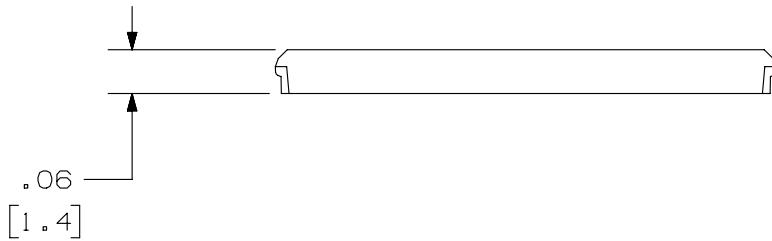
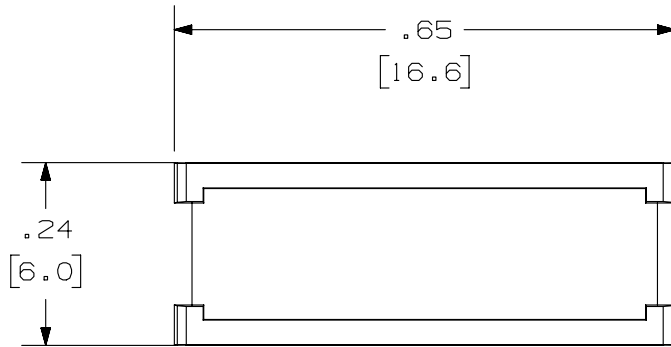


THIS COPY IS PROVIDED ON A RESTRICTED BASIS AND IS NOT TO BE USED IN ANY WAY DETRIMENTAL TO THE INTERESTS OF PANDUIT CORP.

PANDUIT P/N	WEIGHT
UILC1**-X	.003 LB/10 PCS (1.3 g/10 PCS)
UILC1**-L	.014 LB/50 PCS (6.5 g/50 PCS)



NOTES:

1. SEE CURRENT CATALOG FOR ADDITIONAL PART NUMBER SUFFIXES TO INDICATE COLOR.
2. SEE CATALOG FOR COMPLETE LIST OF PARTS APPLICABLE FOR USE WITH THIS PART.
3. DIMENSIONS IN [] ARE IN METRIC.

PART NUMBER		UILC1**-X, UILC1**-L	
TITLE			
ULTIMATE ID 1 POSITION REPLACEMENT SCREW COVER			
CUSTOMER DRAWING			
ITEM REVISION NAME		M01283BA/05	
DATASET FILE NAME		M01283BA_DC/05B	
UNLESS OTHERWISE SPECIFIED, DIMENSIONAL TOLERANCES ARE: IN [mm]		MATERIAL:	
.X ± .xxx ± .010 [.3]		CLEAR: POLYSTYRENE	
.XX ± .03 [.8] ANGLES ±		OTHER COLORS: ABS	
THIRD ANGLE PROJECTION		DRAWING NUMBER:	
01283-05		01283-05	
DRAWN BY	DATE	CHK	SCALE
JSP	11-26-02	MJD	NONE
SHT 1 OF 1			SIZE
A			A

REV	DATE	BY	CHK	APR	DESCRIPTION	ECN
1	5/16/14	JSP	REFR	MMR	A. REVISED DRAWING TITLE BLOCK.	01283-05
R	11-26-02	JSP	MJD	MJD	RELEASED TO PRODUCTION	01283-05

D10100DA/14

2

1

2

1