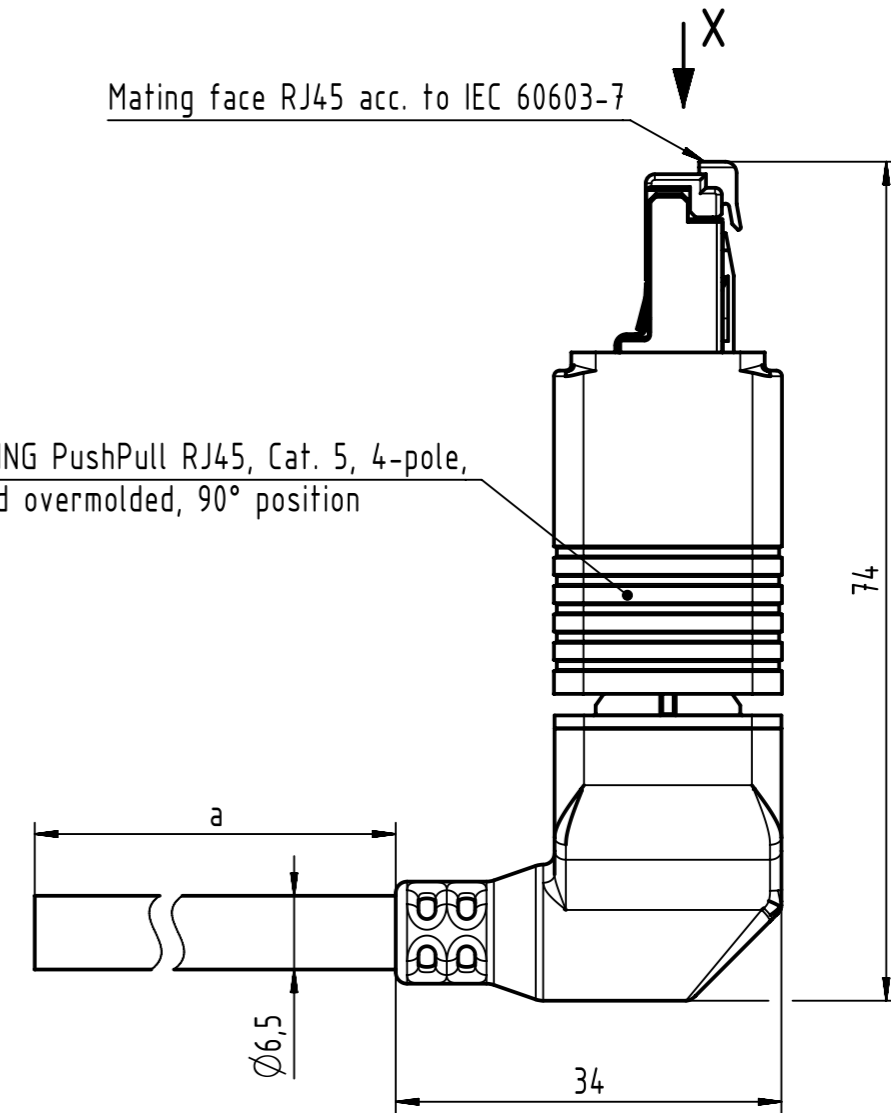
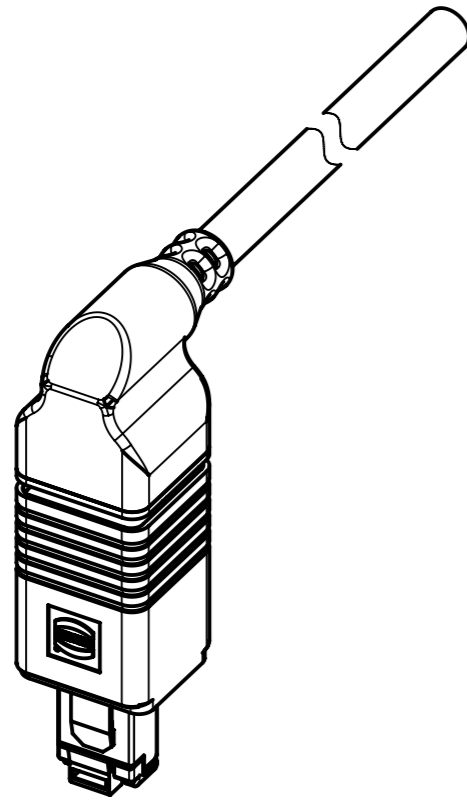


Connector Location A

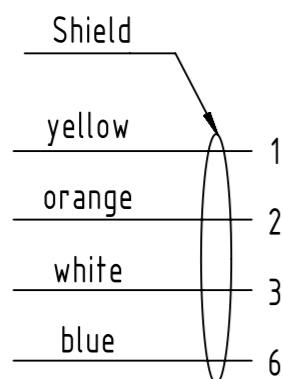
Connector Location B



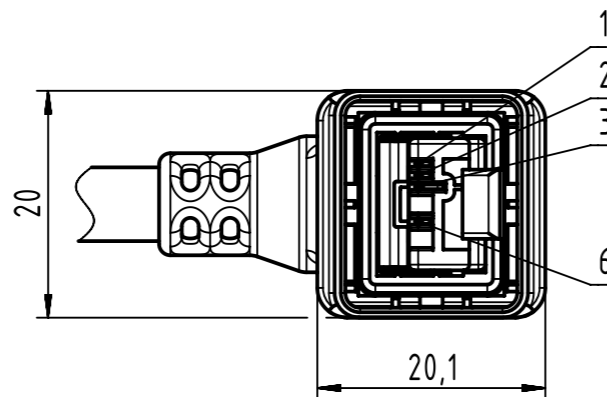
HARTING PushPull RJ45, Cat. 5, 4-pole, angled overmolded, 90° position

Mating face RJ45 acc. to IEC 60603-7

Loading-Plan



X
male



- Protection level: IP65/67
- Temperature range: -40°C ... +70°C

	All rights reserved	Created by STOCHECIC Stochei	Inspected by COSTEA Costea	Standardisation MUNTEANV Muntean	Date 2018-05-29	State Final Release	
	Department HCS - RO	Title HARTING PushPull RJ45 Cable Assembly				Doc-Key / ECM-Nr. 100084477/UGD/008/D 500000135635	
HARTING Customised Solutions D-32339 Espelkamp		Type TB	Number 09473700XXX			Rev. D	Page 1/2

Cont. no.	Part no.	Type of cable	Dim. a[m]
44	09473700044	RJl Ethernet stranded cable, 4xAWG22/7, PVC, Cat. 5+, green	100
43	09473700043		90
42	09473700042		80
41	09473700041		70
40	09473700040		60
39	09473700039		50
38	09473700038		40
37	09473700037		30
36	09473700036		20
35	09473700035		15
34	09473700034		10
33	09473700033		9
32	09473700032		8
31	09473700031		7
30	09473700030		6
29	09473700029		5
28	09473700028		4
27	09473700027		3
26	09473700026		2
25	09473700025		1.5
24	09473700024		1
23	09473700023		0.5
22	09473700022		RJl Ethernet standard cable, AWG22/1, 2x2x0.64, PVC, Cat. 5+, green
21	09473700021	90	
20	09473700020	80	
19	09473700019	70	
18	09473700018	60	
17	09473700017	50	
16	09473700016	40	
15	09473700015	30	
14	09473700014	20	
13	09473700013	15	
12	09473700012	10	
11	09473700011	9	
10	09473700010	8	
9	09473700009	7	
8	09473700008	6	
7	09473700007	5	
6	09473700006	4	
5	09473700005	3	
4	09473700004	2	
3	09473700003	1.5	
2	09473700002	1	
1	09473700001	0.5	

Cont. no.	Part no.	Type of cable	Dim. a[m]
88	09473700088	RJl Ethernet stranded cable, AWG22/7, 2x2x0.75, outdoor, PVC, Cat. 5+, black	100
87	09473700087		90
86	09473700086		80
85	09473700085		70
84	09473700084		60
83	09473700083		50
82	09473700082		40
81	09473700081		30
80	09473700080		20
79	09473700079		15
78	09473700078		10
77	09473700077		9
76	09473700076		8
75	09473700075		7
74	09473700074		6
73	09473700073		5
72	09473700072		4
71	09473700071		3
70	09473700070		2
69	09473700069		1.5
68	09473700068		1
67	09473700067		0.5
66	09473700066		RJl Ethernet trailing cable, AWG22/7, 2x2x0.75, PUR, Cat. 5+, green
65	09473700065	90	
64	09473700064	80	
63	09473700063	70	
62	09473700062	60	
61	09473700061	50	
60	09473700060	40	
59	09473700059	30	
58	09473700058	20	
57	09473700057	15	
56	09473700056	10	
55	09473700055	9	
54	09473700054	8	
53	09473700053	7	
52	09473700052	6	
51	09473700051	5	
50	09473700050	4	
49	09473700049	3	
48	09473700048	2	
47	09473700047	1.5	
46	09473700046	1	
45	09473700045	0.5	

	All Dimensions in mm	Tech. Character.	Free size tol.	According to production drawing
	All rights reserved Department HCS - RO	Created by STOCHECIC Stochezi	Inspected by COSTEA Costea	Standardisation MUNTEANV Muntean
HARTING Customised Solutions D-32339 Espelkamp		Title HARTING PushPull RJ45 Cable Assembly		Date 2018-05-29
Type TB		Number 09473700XXX		State Final Release
				Doc-Key / ECM-Nr. 100084477/UGD/008/D 500000135635
				Rev. D Page 2/2