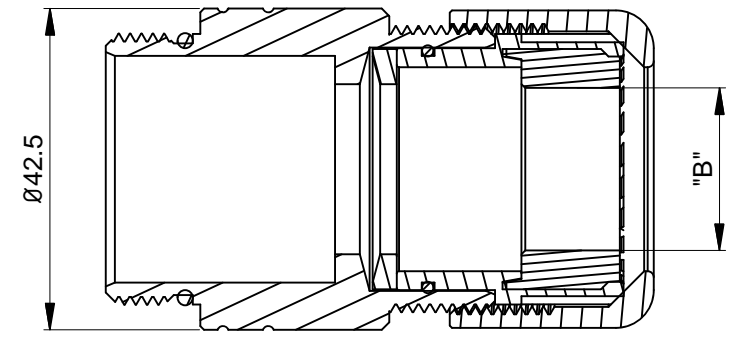
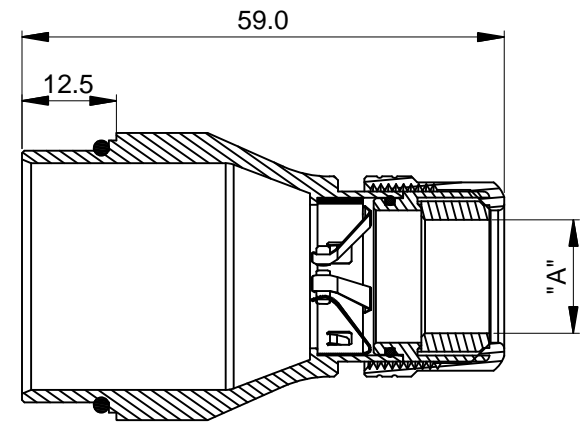
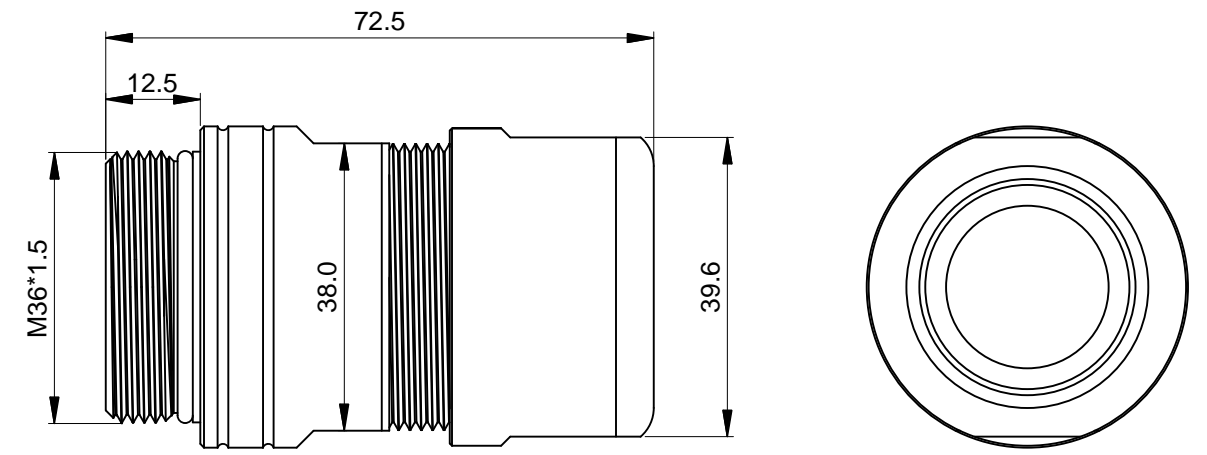
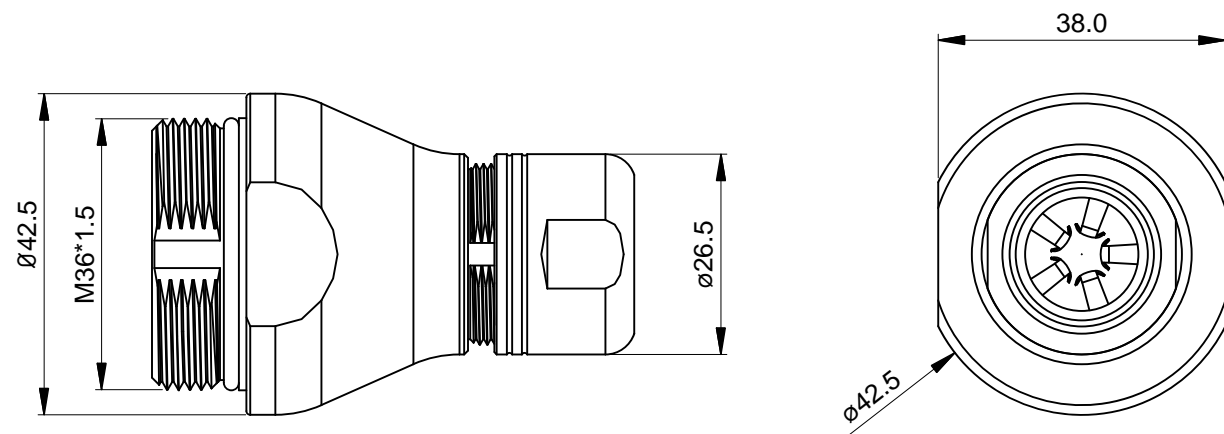


| REVISIONS | | | | | |
|-----------|-----|------------------------|----------|-------|------|
| REV | ECO | DESCRIPTION | DATE | BY | APPR |
| B1 | - | RELEASE NEW DWG FORMAT | 05/10/14 | DRACK | |



| Part Number | Dimension "B " | Cable OD Range |
|-------------|----------------|----------------|
| MC3CG-S4 | Ø21.5 mm | 17.0~19.5 mm |
| MC3CG-S5 | Ø21.5 mm | 19.5~21.5 mm |
| MC3CG-S6 | Ø26.0 mm | 21.5~24.0 mm |
| MC3CG-S7 | Ø26.0 mm | 25.5~26.0 mm |

| Part Number | Dimension "A " | Cable OD Range |
|-------------|----------------|----------------|
| MC3CG-S1 | Ø15.0 mm | 9.0~12.5 mm |
| MC3CG-S2 | Ø15.0 mm | 12.5~14.5 mm |
| MC3CG-S3 | Ø17.5 mm | 14.5~17.0 mm |

NOTES: UNLESS OTHERWISE SPECIFIED

1. MATERIAL:
EMI SHIELDING RING: STAINLESS STEEL
SEAL: EPDM
HOUSING BODY: ZINC DIE CAST, NICKEL PLATED

2. SPECIFICATIONS:
2.1 DEGREE OF PROTECTION: IP67 (MATED CONDITION)
2.2 RoHS COMPLIANT

3. ALL DIMENSIONS ARE FOR REFERENCE USE ONLY.

| QUANTITY | SEE PART NUMBER PART NUMBER | DESCRIPTION | ITEM |
|--|--------------------------------|--|------------------|
| MATERIALS LIST | | | |
| UNLESS OTHERWISE SPECIFIED 1) All dimensions are in metric (mm). 2) Tolerances are as follows: 1 PL DEC ±0.30 2 PL DEC ±0.15 3 PL DEC ±0.08 Fractions ±1/64 Angles ±1° 3) Note reference = | | SIGNATURES DRAWN: Drack CHECKED: ENGINEER: APPROVAL: | DATE 05/10/14 |
| MATERIAL SPECIFICATIONS: | | CUSTOMER: | |
| PROCESS SPECIFICATIONS: | | THIS DRAWING IS SUPPLIED FOR INFORMATION ONLY. DESIGN FEATURES, SPECIFICATIONS AND PERFORMANCE DATA SHOWN HEREON ARE THE PROPERTY OF THE AMPHENOL CORPORATION. NO RIGHTS OF REPRODUCTION ARE IMPLIED. ALL DIMENSIONS ARE SUBJECT TO NORMAL MANUFACTURING VARIATIONS. | |
| NEXT ASSY: | | SCALE: NONE | |
| | | Sine Systems - www.amphenol-sine.com 44724 Morley Drive Clinton Township, MI 48036 M40C,CORD GRIP | |
| SIZE | TYPE | DWG NO. | REVISION |
| B | C- | MC3CG-SX | B1 |
| SHEET 1 OF 1 | | | |

TITLE: M40C,CORD GRIP DWG NO: MB3CG-SX REV: B1 SH: 1 OF: 1