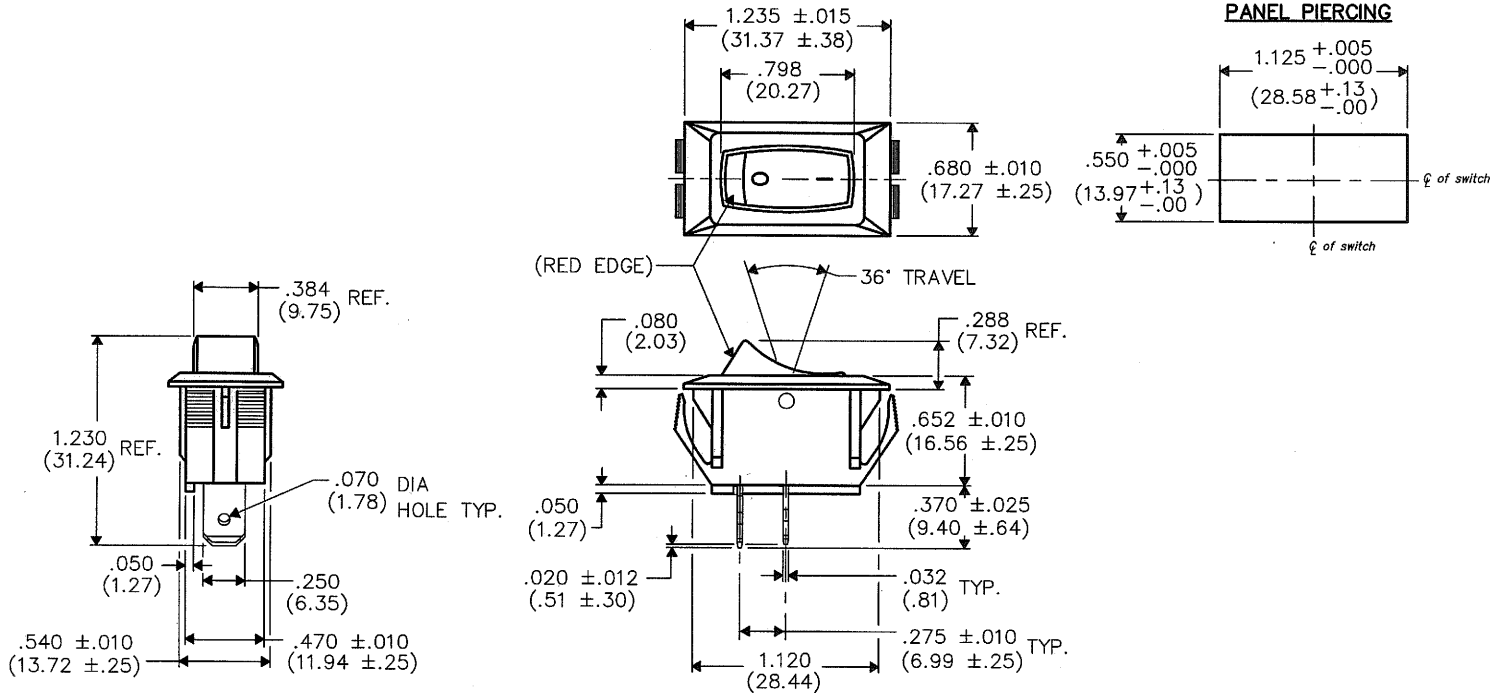


DIMENSIONS IN INCHES (MILLIMETERS)  
DO NOT SCALE DRAWING .....

Dwg. No.  
**NAA-111-BI21-00**

E  
D  
C  
B  
A



1 2 3 4 5 6 7 8 9 10

FORM-B4	REVISIONS	0	
		1	RELEASED 8-13-2008
		2	DGW
		3	8-13-2008

PDF FILE MADE	<b>CW INDUSTRIES</b> Southampton, Pa. 18966
	TOLERANCES UNLESS OTHERWISE SPECIFIED:
	2 Place Decimal ±.010 METRIC 3 Place Decimal ±.005 1 Place Dec. ±.25mm Angles ..... ±1° 2 Place Dec. ±.13mm
	Made for: CW IND.
Drawn by: DGW 8-13-2008	Division: SWITCH
Checked by: G. Gold 8-14-08	Dwg. No. NAA-111-BI21-00
Approval: G. Gold 8-14-08	

Title:	INDICON UNIBODY SWITCH ASSEMBLY 1.125" x .550" PANEL
Dwg. No.	NAA-111-BI21-00

**MASTER**