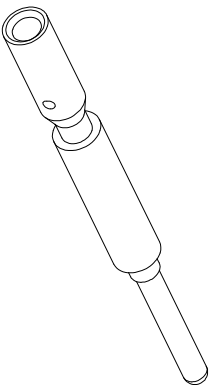
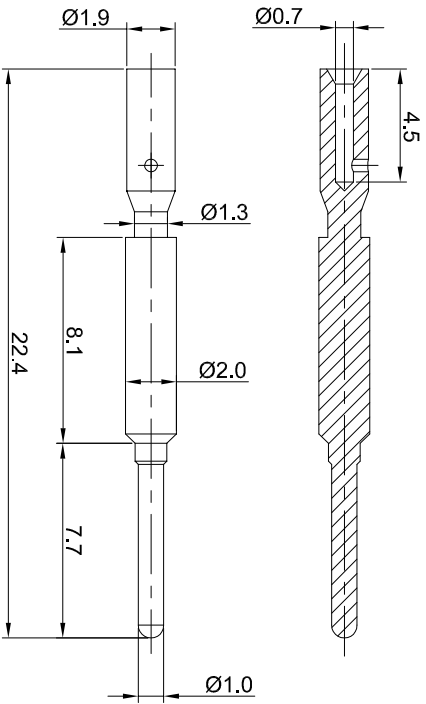


REVISIONS					
REV	ECO	DESCRIPTION	DATE	BY	APPR
B1	-	RELEASE NEW DWG FORMAT	06/16/14	TOD	TOMMY
B2	-	UPDTAED SPECIFICATION	09/14/15	TOD	TOMMY



- NOTES: UNLESS OTHERWISE SPECIFIED
1. MATERIAL: COPPER ALLOY, GOLD PLATED
 2. SPECIFICATIONS:
 - 2.1 RATED CURRENT: 10 AMPS
 - 2.2 CONTACT RESISTANCE: <5 milliohm
 - 2.3 AVAILABLE WIRE RANGE: 28AWG~24AWG
 - 2.4 ROHS COMPLIANT
 3. ALL DIMENSIONS ARE FOR REFERENCE USE ONLY.

QUANTITY	SEE PART NUMBER CHART	PART NUMBER	DESCRIPTION	ITEM
MATERIALS LIST				
UNLESS OTHERWISE SPECIFIED 1) All dimensions are in millimeters. 2) Tolerances are as follows: 1 Pl. DEC 20.00 2 Pl. DEC 20.00 3 Pl. DEC 20.08 3) Note reference =		SIGNATURES	DATE	
PROCESS SPECIFICATIONS:		DRAWN: Tod	06/16/14	
MATERIAL SPECIFICATIONS:		CHECKED:		
CUSTOMER:		ENGINEER:		
APPROVAL:				
INFORMATION ONLY: DESIGN FEATURES, SPECIFICATIONS AND PERFORMANCE DATA OF REPRODUCTION ARE LIMITED. ALL RIGHTS OF REPRODUCTION ARE RESERVED. ALL MANUFACTURING VARIATIONS:		Pin contact, 20#, Chimp 28-24AWG		
SCALE:	NONE	SIZE:	B	REVISION:
		TYPE:	C-	SC000146
		DWG NO.:	SC000146	B2

Amphenol

Sine Systems - www.amphenol-sine.com
44724 Modely Drive
Clifton Township, MI 48036