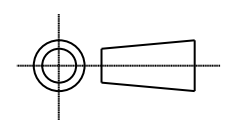


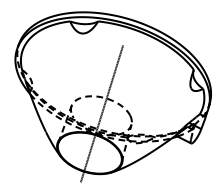
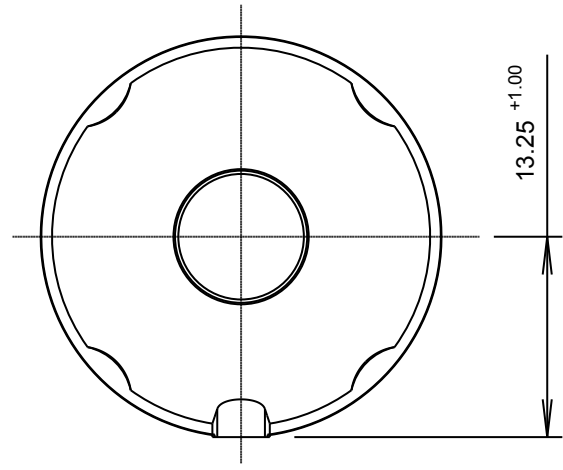
ISS.	DATE	E.C.N.	DESCRIPTION
1	01-Aug-08		FIRST RELEASE

© 2008 CARCLO  
ALL DIMENSIONS IN mm



CARCLO TECHNICAL PLASTICS (SLOUGH) LTD.  
111 BUCKINGHAM AVE, SLOUGH  
SL1 4PF, ENGLAND  
TEL: +44 1753 575011 FAX: +44 1753 811359  
e-mail: design@ctcoil.co.uk}

CUSTOMER DRAWING



SCALE 1:1  
GENERAL VIEW

GENERAL TOLERANCES (UNLESS STATED)

LINEAR	ANGULAR
X +/- 0.25	X +/- 1°
X.X +/- 0.1	X.X +/- 0.5°
X.XX +/- 0.05	X.XX +/- 0.1°

CUSTOMER

TITLE

26.5mm OPTIC 0.8mm OFFSET  
NARROW FROSTED

DRAWN M.K. DATE 01-Aug-08

CHK'D DATE

APP'D DATE

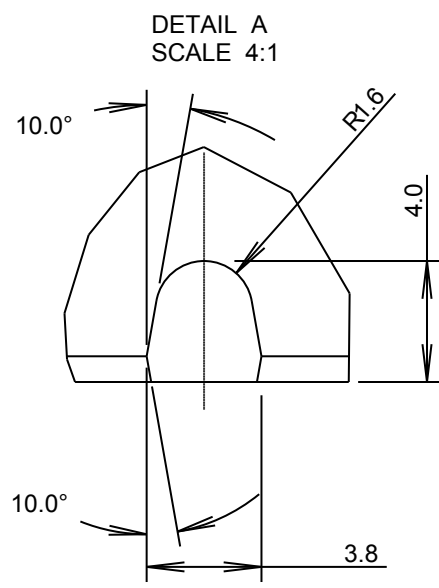
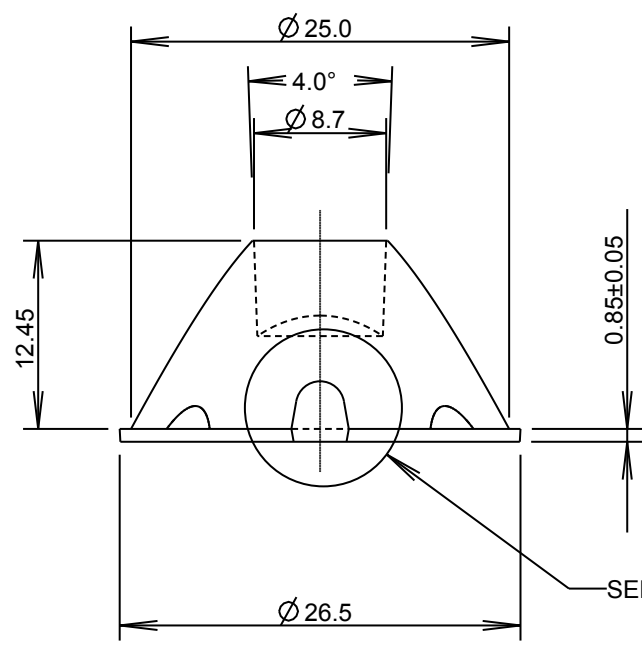
SCALE  
2:1

COIL PART No.  
10392

SIZE  
A4

COIL DRG. No.  
60508

SHEET  
1 OF 1



MATERIAL: POLYCARBONATE