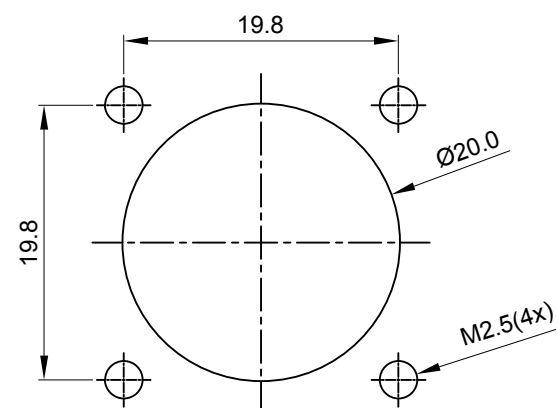
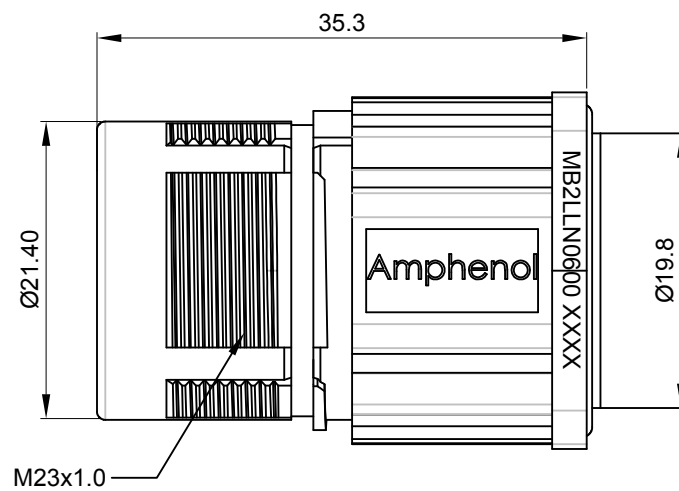
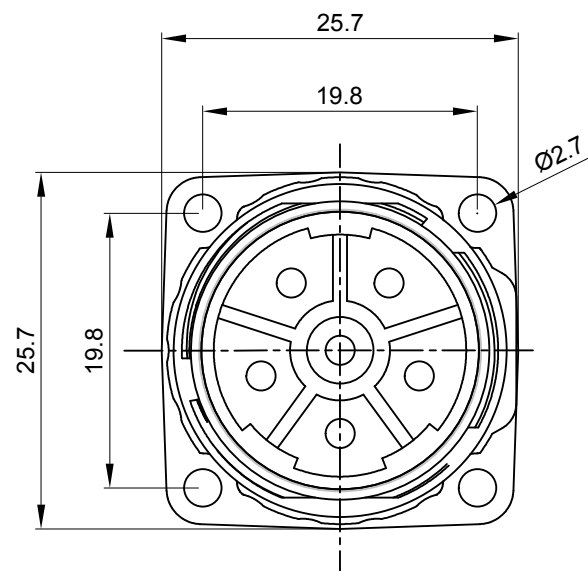
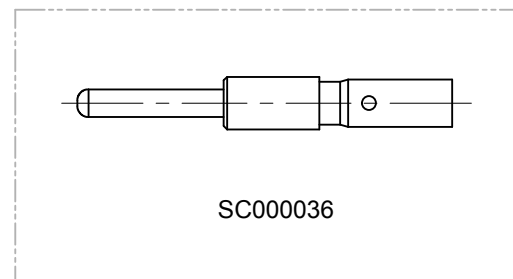


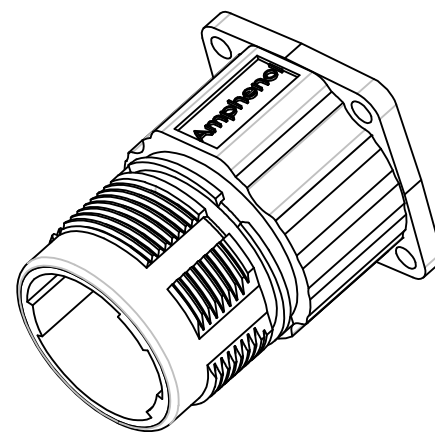
REVISIONS					
REV	ECO	DESCRIPTION	DATE	BY	APPR
A1	-	FIRST RELEASE	Jun.27,2015	Drack	Tommy



MOUNTING HOLE



SC000036



NOTES: UNLESS OTHERWISE SPECIFIED

- MATERIAL:
 - HOUSING BODY: ZINC DIE CAST, NICKEL PLATED
 - INSULATION INSERT: PA66,UL94 V0
 - CONTACT: COPPER ALLOY, GOLD PLATED
 - SEAL: VITON
- SPECIFICATIONS:
 - CURRENT RATING: 28 AMPS
 - VOLTAGE RATING: 630V AC/DC
 - OPERATING TEMPERATURE: -20°C TO +130°C
 - DIELECTRIC WITHSTANDING VOLTAGE: LESS THAN 2 MILLIAMPS CURRENT LEAKAGE @ 6000 VOLTS AC.
 - DEGREE OF PROTECTION: IP67 (MATED CONDITION)
 - DEGREE OF POLLUTION: 3 PER UL840
 - OVERVOLTAGE CATEGORY: III PER UL840
 - MATING CYCLE DURABILITY: >500 CYCLES
 - RoHS COMPLIANT
- AVAILABLE WIRE RANG: 14AWG TO 18AWG
- CONTACTS EXTRACTION TOOL: 50-54931-2
- ALL DIMENSIONS ARE FOR REFERENCE USE ONLY.

6	SC000036	PIN CONTACT,Ø2.0MM	
1	MB2LLN0600	CONNECTOR	
	SEE PART NUMBER CHART		
QUANTITY	PART NUMBER	DESCRIPTION	ITEM

MATERIALS LIST			
SIGNATURES		DATE	
DRAWN: Drack		Jun.27,2015	
CHECKED:			
ENGINEER:			
APPROVAL:			
MATERIAL SPECIFICATIONS:		CUSTOMER:	
PROCESS SPECIFICATIONS:		THIS DRAWING IS SUPPLIED FOR INFORMATION ONLY. DESIGN FEATURES, SPECIFICATIONS AND PERFORMANCE DATA SHOWN HEREON ARE THE PROPERTY OF THE AMPHENOL CORPORATION. NO RIGHTS OF REPRODUCTION ARE IMPLIED. ALL DIMENSIONS ARE SUBJECT TO NORMAL MANUFACTURING VARIATIONS.	
NEXT ASSY:			

Amphenol

Sine Systems - www.amphenol-sine.com
44724 Morley Drive
Clinton Township, MI 48036

KIT:M23,B SERIES,RECEPTACLE,
6 POS.,2.0mm PIN CONTACT

SIZE	TYPE	DWG NO:	REVISION
B	C-	MB2LLN0600-KIT	A1
SCALE	NONE		SHEET 1 OF 1

TITLE: KIT:M23,B SERIES,RECEPTACLE,6 POS.,2.0mm PIN CONTACT

DWG NO:

MB2LLN0600-KIT

REV: A1

SH: 1

OF: 1