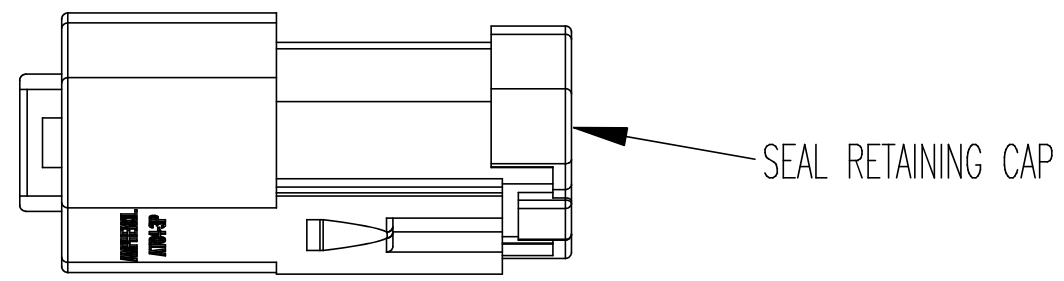


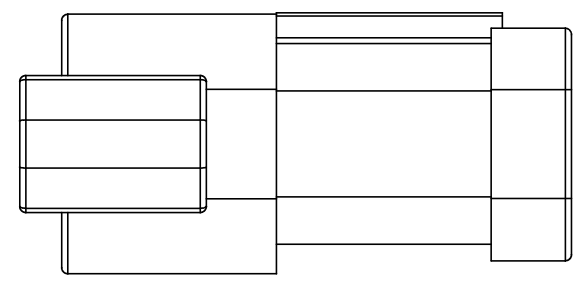
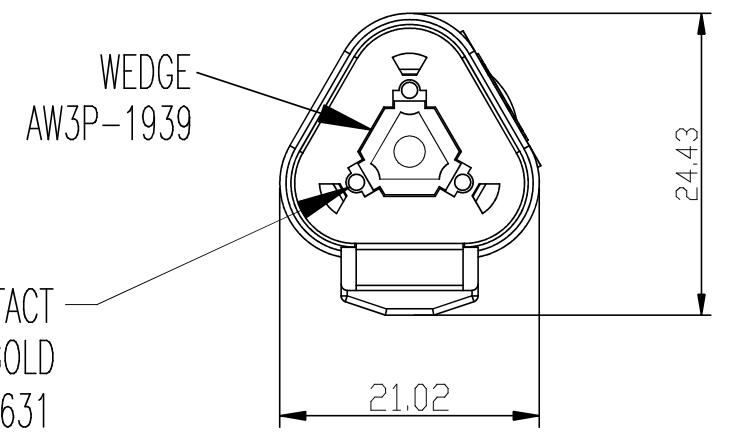
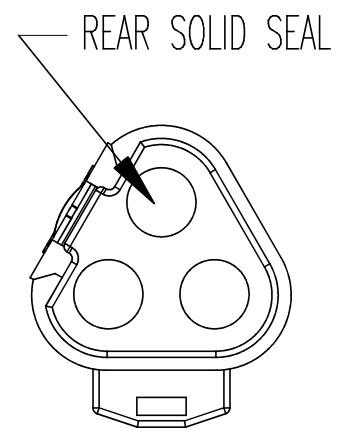
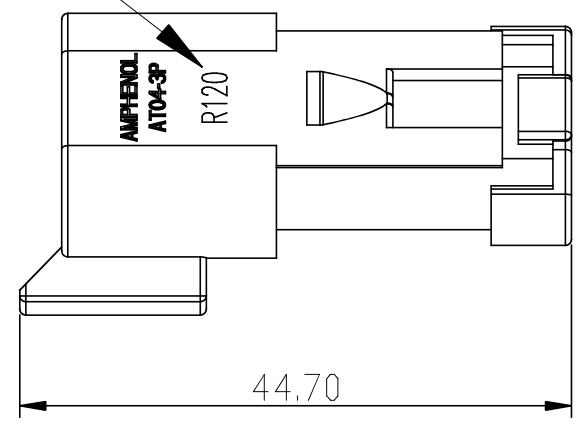
REVISIONS						
REV	ZONE	ECO	DESCRIPTION	DATE	BY	APPR
02	--	--	UPDATE CONTACT PART NUMBER	06MAR12	--	RFC
03	--	--	UPDATE DRAWING FORMAT	06NOV13	DRP	DRP

NOTES: UNLESS OTHERWISE SPECIFIED

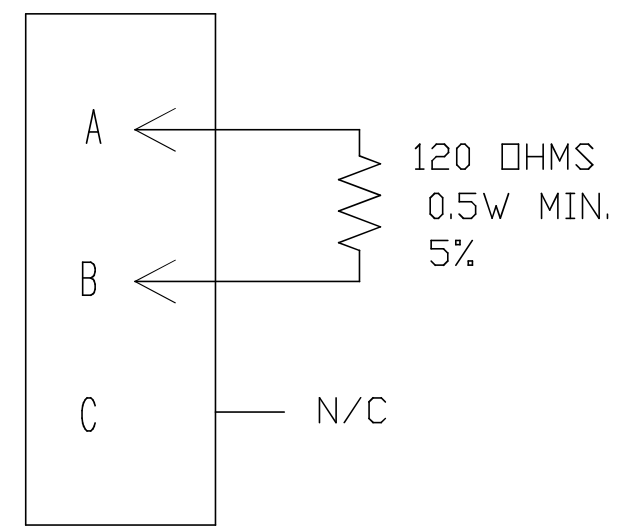
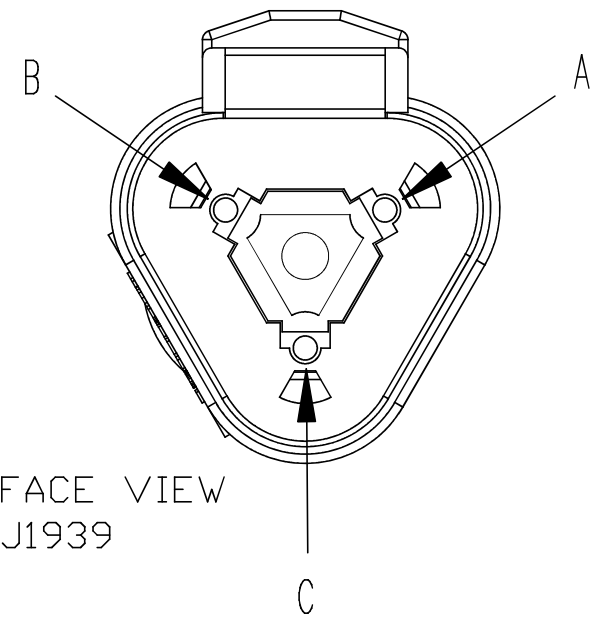
- ① DIMENSIONS ARE FOR REFERENCE ONLY.
- ② PART NUMBER AT04-3P-RJ120 IS FULLY ASSEMBLED READY FOR INSTALLATION.
- ③ COLOR TO BE SINE SYSTEMS STANDARD 'AT' GREY.



LASER MARK "R120"
RESISTOR VALUE



WIRING DIAGRAM



CUSTOMER DRAWING

ITEM	PART NUMBER	Qty	DESCRIPTION	REMARK			
MATERIALS LIST							
UNLESS OTHERWISE SPECIFIED 1) All dimensions are in metric(mm). 2) Tolerances are as follows: 1 PL DEC ±0.20 2 PL DEC ±0.10 3 PL DEC ±0.05			MATERIAL SPECIFICATIONS:	SINE Systems Corporation A Subsidiary of Amphenol Corporation			
SIGNATURE			PROCESS SPECIFICATIONS: IPC-A-620				
DATE			RECEPT, 3 WAY, J1939, 120 OHM, GREY				
DRAWN	R. CURRY	02-MAR-12					
CHECKED	R. CURRY	02-MAR-12					
ENGINEER	R. CURRY	02-MAR-12					
APPROVAL	R. CURRY	02-MAR-12	DWG NO. AT04-3P-RJ120				
CUSTOMER	ALL						
THIS DRAWING IS SUPPLIED FOR INFORMATION ONLY. DESIGN FEATURES, SPECIFICATIONS AND PERFORMANCE DATA SHOWN HEREON ARE THE PROPERTY OF THE AMPHENOL CORPORATION. NO RIGHTS OF REPRODUCTION ARE IMPLIED. ALL DIMENSIONS ARE SUBJECT TO NORMAL MANUFACTURING VARIATIONS.			RECEPT, 3 WAY, J1939, 120 OHM, GREY				
THIRD ANGLE PROJECTION			FSCM NO.	SIZE	MASS	REV.	SCALE
SHEET 1 OF 1				A3		03	NONE
NEXT ASSY:							