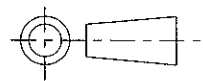


ISS.	DATE	E.C.N.	DESCRIPTION
1	17-Aug-06		FIRST ISSUE
1a	26-Jan-11	10/09/1254	DIM. TOLLERANCES CHANGED + NOTE ADDED + SEC. B-B ADDED

© 2010 CTP-COIL
ALL DIMENSIONS IN mm



CARCLO TECHNICAL PLASTICS (SLOUGH)
111 BUCKINGHAM AVE, SLOUGH
SL1 4PF, ENGLAND
TEL: +44 1753 575011 FAX: +44 1753 811359
e-mail: design@carclo-optics.com

CUSTOMER DRAWING

- NOTES:
1. MATERIAL - UV STABILISED POLYCARBONATE
2. INCLUSIONS SPECIFIED TO BS4301

GENERAL TOLERANCES (UNLESS STATED)

LINEAR	ANGULAR
X +/- 0.25	X +/- 1°
X.X +/- 0.1	X.X +/- 0.5°
X.XX +/- 0.05	X.XX +/- 0.1°

CUSTOMER

CARCLO

TITLE

ORTHO LINEAR 1.4MM OFFSET
FOCUS 20 MM DIA OPTIC

DRAWN

AJD

DATE

17-Aug-06

CHK'D

DATE

APP'D

DATE

SCALE

2:1

CARCLO PART No.

10204

SIZE

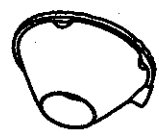
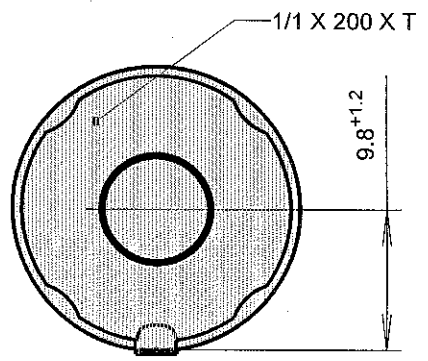
A4

CARCLO DRG. No.

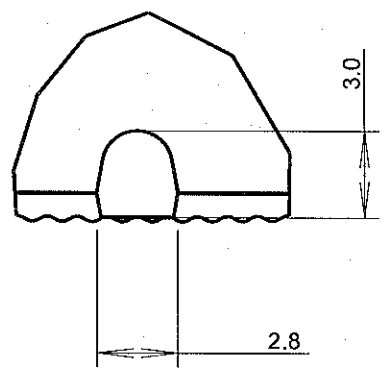
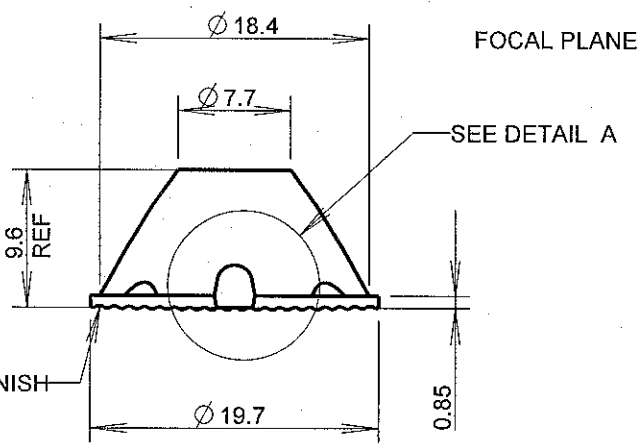
60437

SHEET

2 OF 2



3D VIEW
SCALE 1:1



DETAIL A
SCALE 4:1

1
2
3
4
5

1
2
3
4
5

A

B

C

D

E

F

G