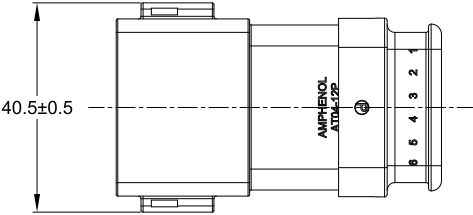
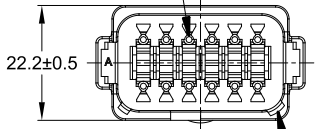


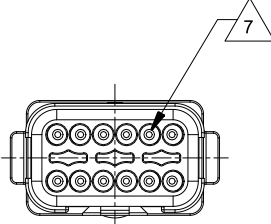
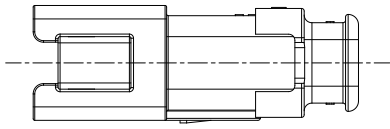
REVISIONS					
REV	ECO	DESCRIPTION	DATE	BY	APPR
A3	-	RELEASE NEW DRAWING FORMAT	11DEC13	DRP	-
A4	C1403S	UPDATE THE APPEARANCE	23JUN21	RONALD	TOMMY



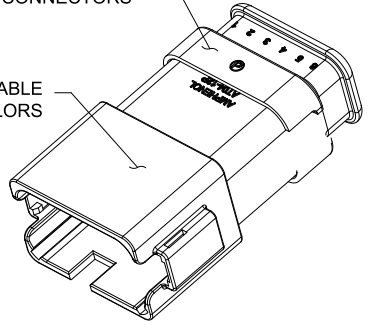
REQUIRES CONTACT RETENTION WEDGE AW12P



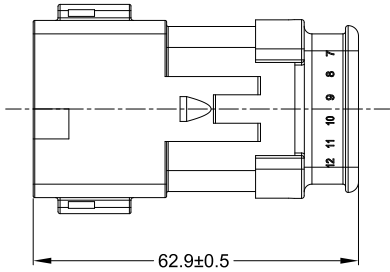
KEYWAY (3) PLACES



STRAIN RELIEF END CAP - BLACK - ALL CONNECTORS



REFER TO SHEET 2 FOR AVAILABLE CONNECTOR HOUSING COLORS



NOTES: UNLESS OTHERWISE SPECIFIED

1 SEE SHEET 2 FOR KEY ARRANGEMENTS AND COLORS.

2. MATERIAL:
HOUSING: THERMOPLASTIC
SEAL: SILICONE RUBBER

3. MODIFICATIONS: STRAIN RELIEF END CAP

4. SPECIFICATIONS:
- 4.1 CURRENT RATING: 13 AMPS
 - 4.2 OPERATING TEMPERATURE: -55°C TO +125°C
 - 4.3 DIELECTRIC WITHSTANDING VOLTAGE: LESS THAN 2 MILLIAMPS CURRENT LEAKAGE @ 1500 VOLTS AC.
 - 4.4 INSULATION RESISTANCE: 1000 MEGOHMS MIN @ 25°C.
 - 4.5 MOISTURE RESISTANCE: IP69K & IP68 (1M OF WATER FOR A PERIOD OF 24 HOURS, MATED CONDITION)
 - 4.6 MATING CYCLE DURABILITY: 100 CYCLES
 - 4.7 ROHS COMPLIANT

5. MATING PART: AT06-12SX* PLUG (X = A,B,C,D KEYS; * = MODIFICATIONS AND COLORS)

6. ALL DIMENSIONS ARE FOR REFERENCE USE ONLY.

7 CONTACT SIZE AND REAR SEAL WIRE RANGE:

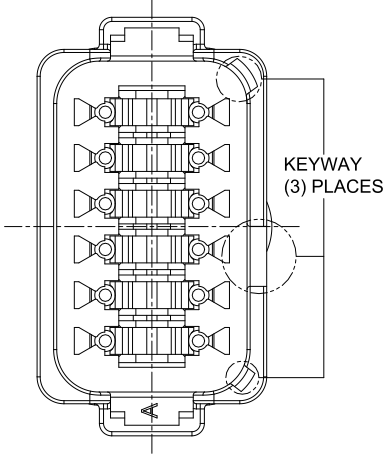
CONTACT SIZE	MIN. INSUL O.D.	MAX. INSUL O.D.	TYPICAL WIRE RANGE
16	2.24 mm (.088 in)	3.68 mm (.145 in)	14 - 20 AWG

SEE SHEET 2		DESCRIPTION		ITEM
PART NUMBER		DESCRIPTION		ITEM
QUANTITY	MATERIALS LIST			
UNLESS OTHERWISE SPECIFIED		SIGNATURES		DATE
1) All dimensions are in metric (mm).		DRAWN: RONALD		23JUN21
2) Tolerances are as follows:		CHECKED: ORION		24JUN21
1 PL DEC ±0.30		ENGINEER:		
2 PL DEC ±0.15		APPROVAL: TOMMY		25JUN21
3 PL DEC ±0.08		CUSTOMER:		
3) Note reference =		THIS DRAWING IS SUPPLIED FOR INFORMATION ONLY. DESIGN FEATURES, SPECIFICATIONS AND PERFORMANCE DATA SHOWN HEREON ARE THE PROPERTY OF THE AMPHENOL CORPORATION. NO RIGHTS OF REPRODUCTION ARE IMPLIED. ALL DIMENSIONS ARE SUBJECT TO NORMAL MANUFACTURING VARIATIONS.		
MATERIAL SPECIFICATIONS:		WEIGHT: 27.0g		
PROCESS SPECIFICATIONS:		NEXT ASSY:		
Amphenol		Sine Systems - www.amphenol-sine.com		
44724 Morley Drive		Clinton Township, MI 48036		
RECEPTACLE, 12 PIN, AT SERIES, KEYED, STRAIN RELIEF END CAP		SIZE		REVISION
B C-		DWG NO: AT04-12PX-SRXXX		A4
SCALE: NONE		SHEET 1 OF 2		

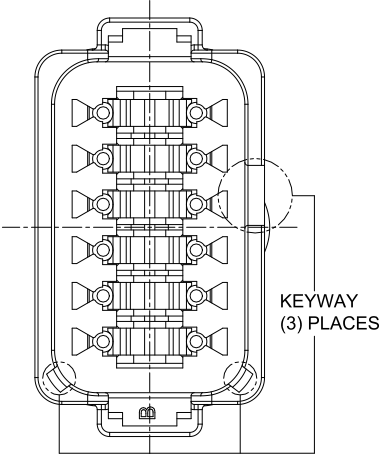
TITLE: RECEPTACLE, 12 PIN, AT SERIES, KEYED, STRAIN RELIEF END CAP DWG NO: AT04-12PX-SRXXX REV: A4 SH: 1 OF: 2

REVISIONS					
REV	ECO	DESCRIPTION	DATE	BY	APPR
A3	-	RELEASE NEW DRAWING FORMAT	11DEC13	DRP	-
A4	C1403S	UPDATE THE APPEARANCE	23JUN21	RONALD	TOMMY

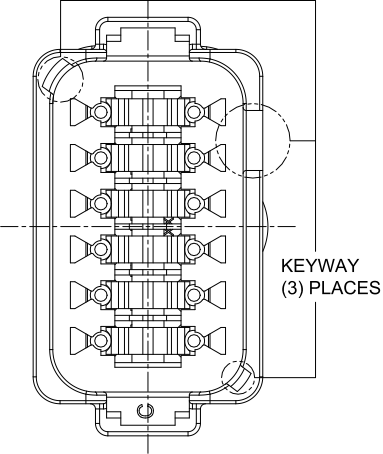
P/N AT04-12PA-SRGRY
KEY-A CONFIGURATION
STANDARD COLOR: GREY



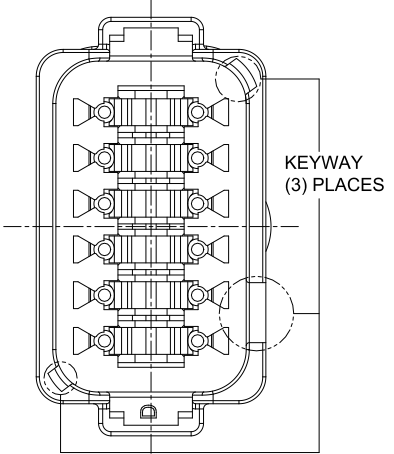
P/N AT04-12PB-SRBK
KEY-B CONFIGURATION
STANDARD COLOR: BLACK



P/N AT04-12PC-SRGN
KEY-C CONFIGURATION
STANDARD COLOR: GREEN



P/N AT04-12PD-SRBR
KEY-D CONFIGURATION
STANDARD COLOR: BROWN



KEY-A CONFIGURATION	
COLOR	PART NUMBER
* GREY	AT04-12PA-SRGRY
BLACK	AT04-12PA-SRBK
GREEN	AT04-12PA-SRGN
BROWN	AT04-12PA-SRBR

KEY-B CONFIGURATION	
COLOR	PART NUMBER
GREY	AT04-12PB-SRGRY
* BLACK	AT04-12PB-SRBK
GREEN	AT04-12PB-SRGN
BROWN	AT04-12PB-SRBR

KEY-C CONFIGURATION	
COLOR	PART NUMBER
GREY	AT04-12PC-SRGRY
BLACK	AT04-12PC-SRBK
* GREEN	AT04-12PC-SRGN
BROWN	AT04-12PC-SRBR

KEY-D CONFIGURATION	
COLOR	PART NUMBER
GREY	AT04-12PD-SRGRY
BLACK	AT04-12PD-SRBK
GREEN	AT04-12PD-SRGN
* BROWN	AT04-12PD-SRBR

NOTE:
AN ASTERISKS (*) PLACED BEFORE THE COLOR DENOTES THE STANDARD MOLDED COLOR OF THE CONNECTORS SHOWN ABOVE. STRAIN RELIEF END CAPS ARE AVAILABLE IN BLACK ONLY.
OTHER COLORS SHOWN ARE AVAILABLE VIA SPECIAL ORDER.

SEE SHEET 2		DESCRIPTION		ITEM
PART NUMBER				
QUANTITY	MATERIALS LIST			
UNLESS OTHERWISE SPECIFIED	SIGNATURES	DATE	<h1>Amphenol</h1> <p>Sine Systems - www.amphenol-sine.com 44724 Morley Drive Clinton Township, MI 48036</p> <p>RECEPTACLE, 12 PIN, AT SERIES, KEYED, STRAIN RELIEF END CAP</p>	
1) All dimensions are in metric (mm). 2) Tolerances are as follows: 1 PL DEC ±0.30 Fractions ±1/64 2 PL DEC ±0.15 Angles ±1° 3 PL DEC ±0.08	DRAWN: RONALD	23JUN21		
3) Note reference =	CHECKED: ORION	24JUN21		
	APPROVAL: TOMMY	25JUN21		
MATERIAL SPECIFICATIONS:	CUSTOMER:			
WEIGHT: 27.0g	THIS DRAWING IS SUPPLIED FOR INFORMATION ONLY. DESIGN FEATURES, SPECIFICATIONS AND PERFORMANCE DATA SHOWN HEREON ARE THE PROPERTY OF THE AMPHENOL CORPORATION. NO RIGHTS OF REPRODUCTION ARE IMPLIED. ALL DIMENSIONS ARE SUBJECT TO NORMAL MANUFACTURING VARIATIONS.			
PROCESS SPECIFICATIONS:			SIZE: B C-	DWG NO: AT04-12PX-SRXXX
NEXT ASSY:			SCALE: NONE	REVISION: A4
			SHEET 2 OF 2	

TITLE: RECEPTACLE, 12 PIN, AT SERIES, KEYED, STRAIN RELIEF END CAP
DWG NO: AT04-12PX-SRXXX
REV: A4
SH: 2
OF: 2