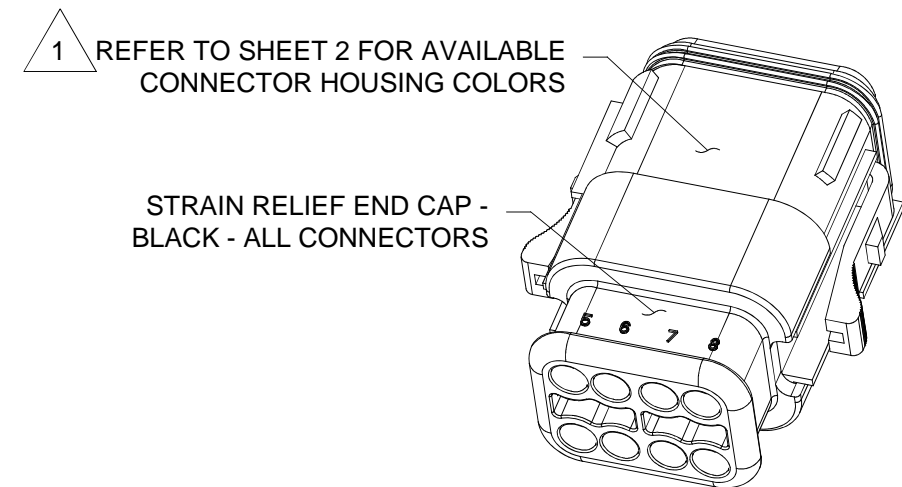
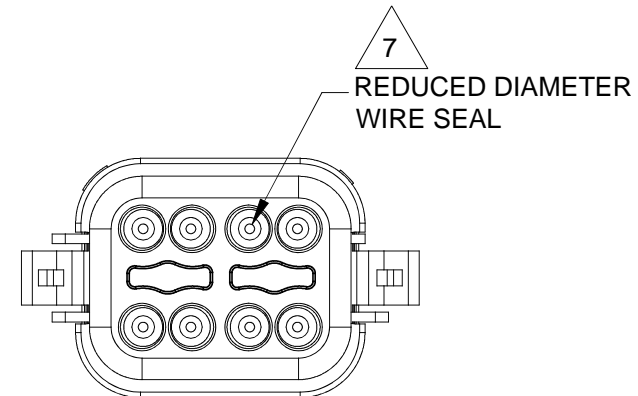
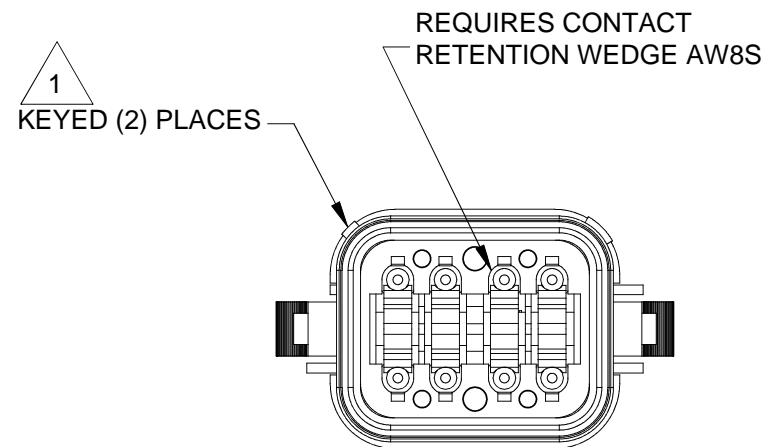
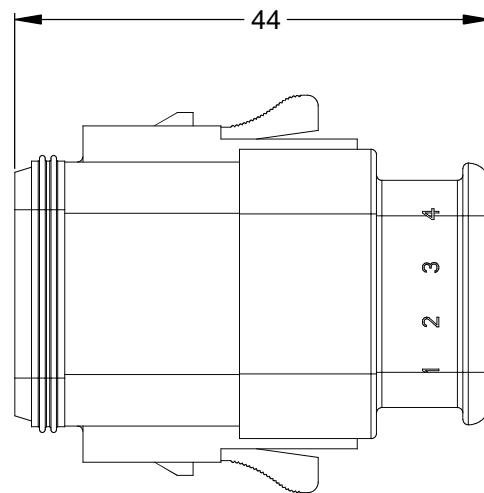
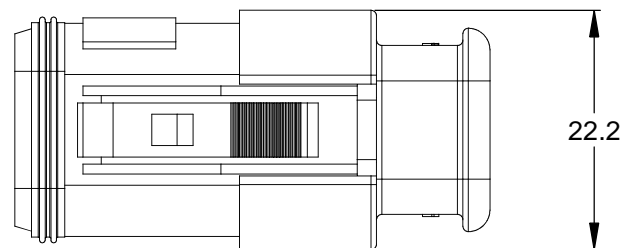
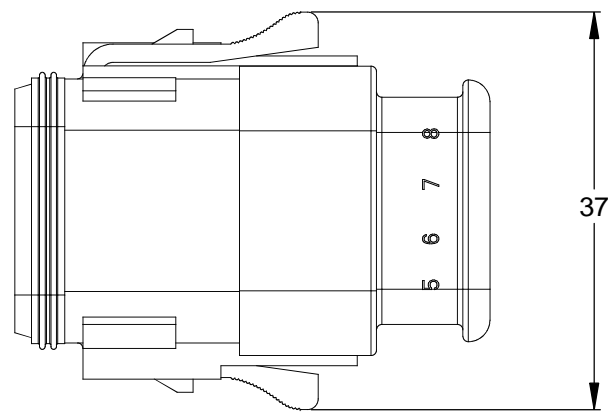


REVISIONS					
REV	ECO	DESCRIPTION	DATE	BY	APPR
A3	-	RELEASE NEW DWG FORMAT	08/16/13	DRP	-



NOTES: UNLESS OTHERWISE SPECIFIED

1 SEE SHEET 2 FOR KEY ARRANGEMENTS AND COLORS.

2. MATERIAL:
HOUSING: THERMOPLASTIC
SEAL: SILICONE RUBBER

3. MODIFICATIONS: STRAIN RELIEF END CAP;
REDUCED DIA. WIRE SEAL

4. SPECIFICATIONS:
4.1 CURRENT RATING: 13 AMPS
4.2 OPERATING TEMPERATURE: -55°C TO +125°C
4.3 DIELECTRIC WITHSTANDING VOLTAGE: LESS THAN 2 MILLIAMPS CURRENT LEAKAGE @ 1500 VOLTS AC.
4.4 INSULATION RESISTANCE: 1000 MEGOHMS MIN @ 25°C.
4.5 MOISTURE RESISTANCE: IP67 (MATED CONDITION)
4.6 MATING CYCLE DURABILITY: 100 CYCLES
4.7 RoHS COMPLIANT

5. MATING PART: AT04-08PX* RECEPTACLE
(X = A,B,C,D KEYS; * = MODIFICATIONS AND COLORS)

6. ALL DIMENSIONS ARE FOR REFERENCE USE ONLY.

7 CONTACT SIZE AND REAR SEAL WIRE RANGE:

CONTACT SIZE	MIN. INSUL O.D.	MAX. INSUL O.D.	TYPICAL WIRE RANGE
16	1.35 mm (.053 in)	3.05 mm (.120 in)	14 - 20 AWG

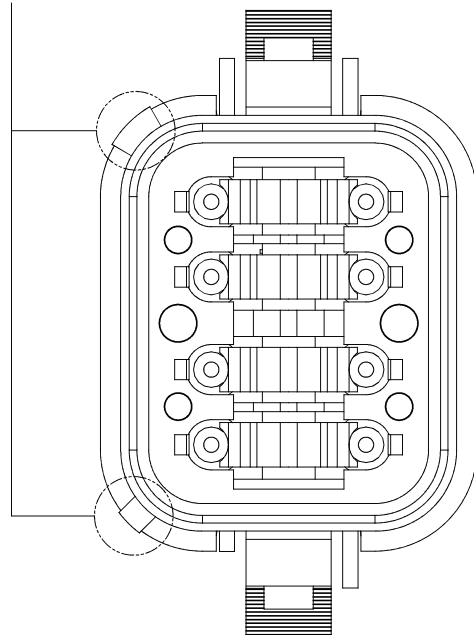
QUANTITY	SEE PART NUMBER CHART	PART NUMBER	DESCRIPTION	ITEM
MATERIALS LIST				
UNLESS OTHERWISE SPECIFIED 1) All dimensions are in metric (mm). 2) Tolerances are as follows: 1 PL DEC ±0.30 2 PL DEC ±0.15 3 PL DEC ±0.08 Fractions ±1/64 Angles ±1° 3) Note reference =		SIGNATURES DRAWN: D.PARKS CHECKED: ENGINEER: APPROVAL:	DATE 08/16/13	SINE Systems Corporation A Subsidiary of Amphenol Corporation 44724 Morley Drive Clinton Township, MI 48036
MATERIAL SPECIFICATIONS:		CUSTOMER:		
PROCESS SPECIFICATIONS:		THIS DRAWING IS SUPPLIED FOR INFORMATION ONLY. DESIGN FEATURES, SPECIFICATIONS AND PERFORMANCE DATA SHOWN HEREON ARE THE PROPERTY OF THE AMPHENOL CORPORATION. NO RIGHTS OF REPRODUCTION ARE IMPLIED. ALL DIMENSIONS ARE SUBJECT TO NORMAL MANUFACTURING VARIATIONS.		SIZE B
NEXT ASSY:		SCALE: NONE		REVISION A3
			SHEET 1 OF 2	

TITLE: PLUG, 8 SOCKET, AT, KEYED, STRAIN RELIEF, REDUCED DIA SEAL
DWG NO.: C- AT06-08SX-SR2XX
REV: A3
SH: 1
OF: 2

REVISIONS					
REV	ECO	DESCRIPTION	DATE	BY	APPR

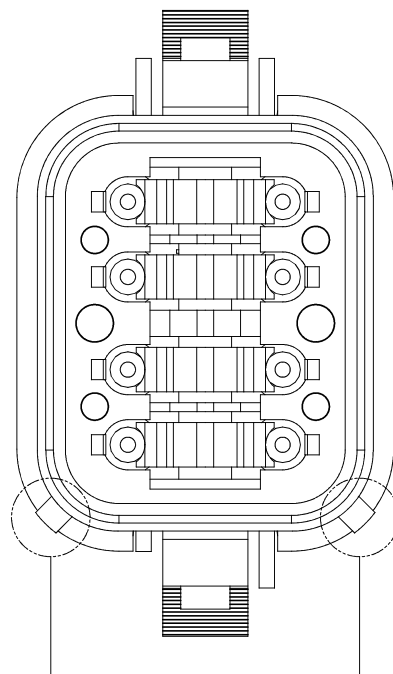
P/N AT06-08SA-SR2GY
KEY-A CONFIGURATION
STANDARD COLOR: GREY

KEYED
(2) PLACES



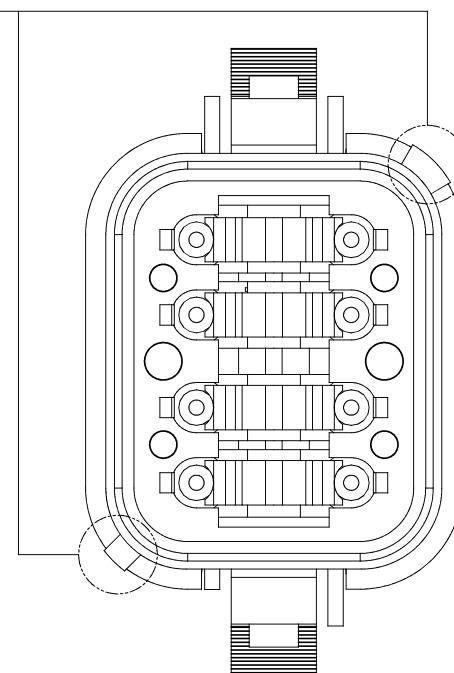
P/N AT06-08SB-SR2BK
KEY-B CONFIGURATION
STANDARD COLOR: BLACK

KEYED
(2) PLACES



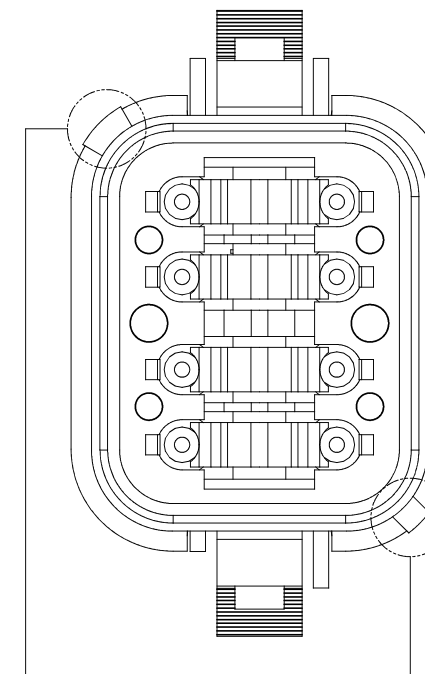
P/N AT06-08SC-SR2GN
KEY-C CONFIGURATION
STANDARD COLOR: GREEN

KEYED
(2) PLACES



P/N AT06-08SD-SR2BR
KEY-D CONFIGURATION
STANDARD COLOR: BROWN

KEYED
(2) PLACES



KEY-A CONFIGURATION	
COLOR	PART NUMBER
* GREY	AT06-08SA-SR2GY
BLACK	AT06-08SA-SR2BK
GREEN	AT06-08SA-SR2GN
BROWN	AT06-08SA-SR2BR

KEY-B CONFIGURATION	
COLOR	PART NUMBER
GREY	AT06-08SB-SR2GY
* BLACK	AT06-08SB-SR2BK
GREEN	AT06-08SB-SR2GN
BROWN	AT06-08SB-SR2BR

KEY-C CONFIGURATION	
COLOR	PART NUMBER
GREY	AT06-08SC-SR2GY
BLACK	AT06-08SC-SR2BK
* GREEN	AT06-08SC-SR2GN
BROWN	AT06-08SC-SR2BR

KEY-D CONFIGURATION	
COLOR	PART NUMBER
GREY	AT06-08SD-SR2GY
BLACK	AT06-08SD-SR2BK
GREEN	AT06-08SD-SR2GN
* BROWN	AT06-08SD-SR2BR

NOTE:

AN ASTERISKS (*) PLACED BEFORE THE COLOR DENOTES THE STANDARD MOLDED COLOR OF THE CONNECTORS SHOWN ABOVE. STRAIN RELIEF END CAPS ARE AVAILABLE IN BLACK ONLY.

OTHER COLORS SHOWN ARE AVAILABLE VIA SPECIAL ORDER.

QUANTITY	PART NUMBER	DESCRIPTION	ITEM
MATERIALS LIST			
UNLESS OTHERWISE SPECIFIED 1) All dimensions are in metric(mm). 2) Tolerances are as follows: 1 PL DEC ±0.30 2 PL DEC ±0.15 3 PL DEC ±0.08 3) Note reference =		SIGNATURES DATE DRAWN: D.PARKS 08/16/13	
MATERIAL SPECIFICATIONS:		APPROVAL:	
PROCESS SPECIFICATIONS:		CUSTOMER:	
NEXT ASSY:		THIS DRAWING IS SUPPLIED FOR INFORMATION ONLY. DESIGN FEATURES, SPECIFICATIONS AND PERFORMANCE DATA SHOWN HEREON ARE THE PROPERTY OF THE AMPHENOL CORPORATION. NO RIGHTS OF REPRODUCTION ARE IMPLIED. ALL DIMENSIONS ARE SUBJECT TO NORMAL MANUFACTURING VARIATIONS.	
		SINE Systems Corporation A Subsidiary of Amphenol Corporation 44724 Morley Drive Clinton Township, MI 48036	
		PLUG, 8 SOCKET, AT SERIES, KEYED, STRAIN RELIEF END CAP, REDUCED DIAMETER SEAL	
SIZE	FSCM NO.	DWG NO.	REVISION
B	—	C- AT06-08SX-SR2XX	A3
SCALE:	SHEET 2 OF 2		

TITLE: PLUG, 8 SOCKET, AT, KEYED, STRAIN RELIEF, REDUCED DIA SEAL
DWG NO.: C- AT06-08SX-SR2XX
REV: A3
SH: 2
OF: 2