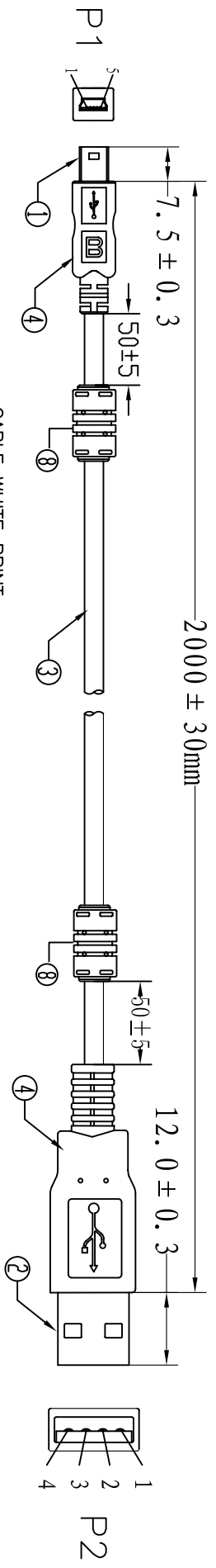
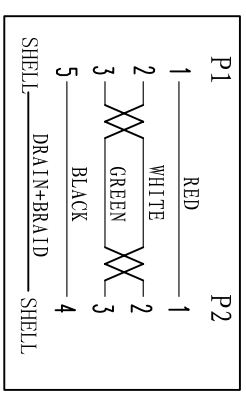


UNIT:mm

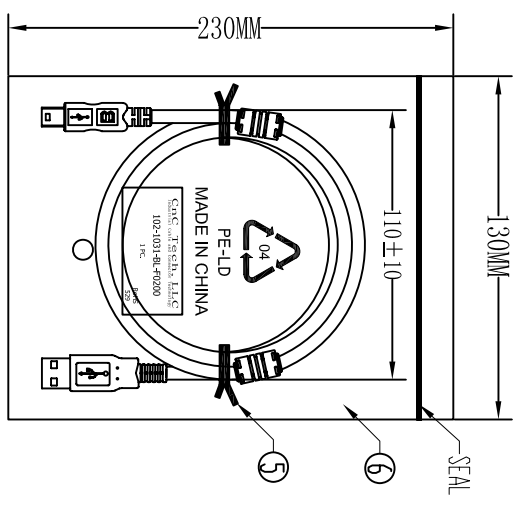


CABLE WHITE PRINT  
 HI-SPEED USB Revision 2.0 SHIELDED 28AWG/1P+28AWG/2C  
 E189529 AWM STYLE 2725 80°C 30V VW-1 VEGA TECH

PIN ASSIGNMENT:



**Electrical test:**  
 1. 100% short, open, miswire test  
 2. Conduct resistance: 2 Ohm(max)  
 3. Insulation resistance: 10Mohm(min)  
 4. dielectric test: DC 300V



⑧	OUT JACKET	14.5g	BLACK 45P PVC (MOLD NO.:CH003)
	FERRITE	2	CORE OD12*5.6*L20 BLACK
⑦	PE BAG	1/10	CLEAR SIZE: 280*330*0.05mm PRINT BLACK"MADE IN CHINA"+10PCS"及印生产周期, 有透气孔.
⑥	PE BAG	1	CLEAR SIZE: 130*230*0.05mm PRINT BLACK"MADE IN CHINA"+1PC"及印生产周期, 有透气孔.
⑤	TIE	1	BLACK L=80mm
④	OUT JACKET	12g	BLACK PVC-50P (MOULD NO.:WM-40 & WM-88)
③	CABLE	1	BLACK USB2.0 UL2725 28#/1P+28#/2C+AEB OD:3.8mm
②	CONN	1set	USB2.0 刺破式 ATYP/PE MALE SHELL:NICKEL PIN:GF 4PCS TYPE INSULATOR COLOR:WHITE
①	CONN	1set	USB2.0 刺破式 MINI 5P MALE SHELL:NICKEL PIN:GF 3PCS INSULATOR COLOR:BLACK
NO.	NAME	Q'TY	SPECIFICATION

**Cnc Tech, LLC**  
 Industrial Cable and Connector Technology

DRAWN	LICHENG	DRAWING NO	
CHECKED		CUSTOMER	
APPROVAL		ITEM NO.	102-1031-BL-F0200
DECIDED		DATE	2012-12-20
VERSIONS/EDITION	A/0	PROJECTION	

4

3

2

1

4

3

2

1

D

D

C

C

B

B

A

A