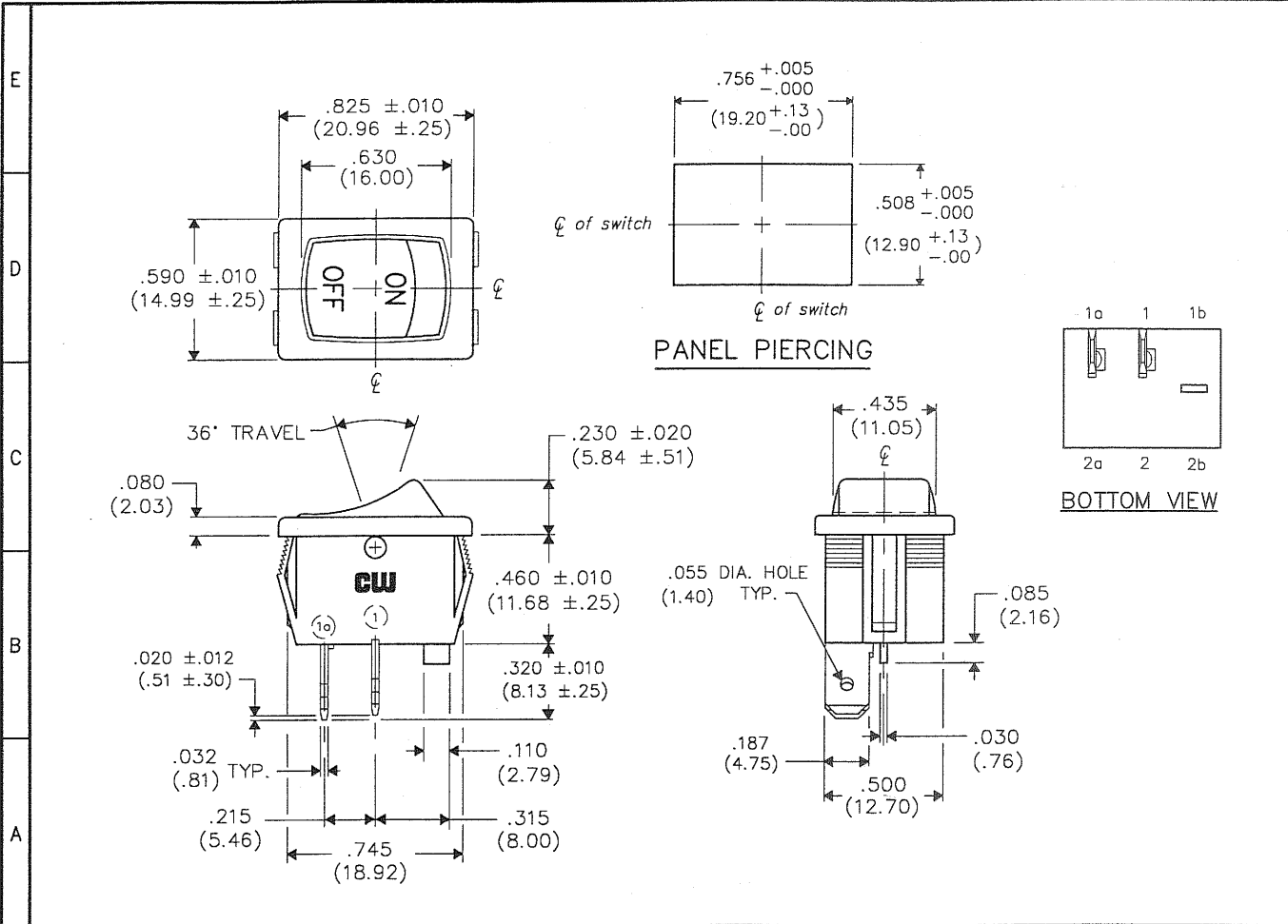


DIMENSIONS IN INCHES (MILLIMETERS)
DO NOT SCALE DRAWING

Dwg. No.
GRS-4011-0036



1 2 3 4 5 6 7 8 9 10

FORM-B3
REVISIONS
RELEASED.
DGW
DEC 11 1996

ATTENTION
THIS DRAWING AND ITS ATTACHMENT, IF ANY, ARE PROPRIETARY TO CW INDUSTRIES AND DESCRIBE DESIGNS THAT ARE CONFIDENTIAL AND MUST NOT BE DISCLOSED UNLESS AUTHORIZED, IN WRITING, BY AN OFFICER OF CW INDUSTRIES.....

CW INDUSTRIES
Southampton, Pa. 18966
TOLERANCES UNLESS OTHERWISE SPECIFIED
2 Place Decimal ±.010 METRIC
3 Place Decimal ±.005 1 Place Dec. ±.25mm
Angles ±1° 2 Place Dec. ±.13mm
Made for: CW IND.
Drawn by: DGW 12-11-96
Checked by: G. GULD 12-11-96
Approval: D. Blomgren 12-11-96

Title:
MINI SWITCH
SNAP - IN
S.P. - S.T.
Division:
SWITCH
Dwg. No.
GRS-4011-0036

MASTER