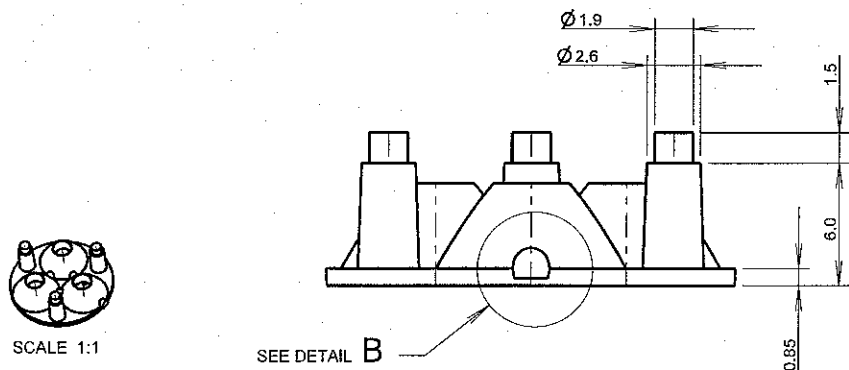
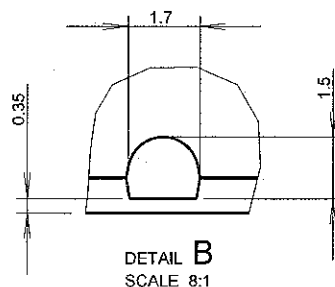
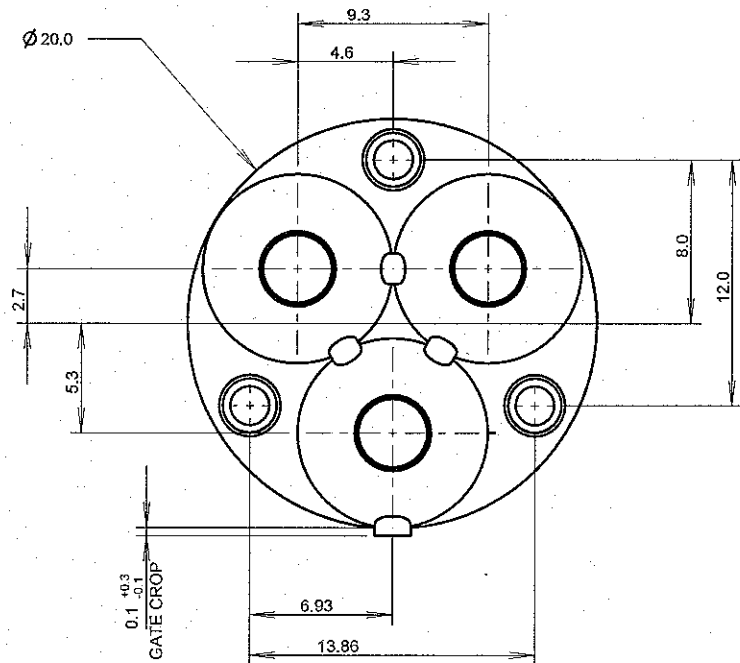


CUSTOMER DRAWING

©2011 CTP-COIL
ALL DIMENSIONS IN mm



MATERIAL - UV STABILISED CLEAR POLYCARBONATE

ISS.	DATE	E.C.N.	DESCRIPTION
1	30-Apr-08		FIRST ISSUE
2	18-Jun-08		GATE SIZE INCREASED
3	12-Nov-08	10/08/1233	LEG PIN LENGTH REDUCED TO 15MM
3A	10-Aug-11	08/11/1306	Gate tolerance updated



technical plastics
CARCLO TECHNICAL PLASTICS (SLOUGH)
 103 BUCKINGHAM AVE, SLOUGH
 SL1 4PF, ENGLAND
 TEL: +44 1753 575011 FAX: +44 1753 811359
 email: design@carclo-optics.com

GENERAL TOLERANCES (UNLESS STATED)

LINEAR	ANGULAR
X +/- 0.25	X +/- 1°
XX +/- 0.1	XX +/- 0.5°
X.XX +/- 0.05	X.XX +/- 0.1°

CUSTOMER
CARCLO

TITLE
10mm TRIPLE OPTIC SPOT

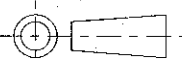
DRAWN M.K. DATE 30-Apr-08

CHK'D PW DATE 10-Aug-11

APP'D BB DATE 10-Aug-11

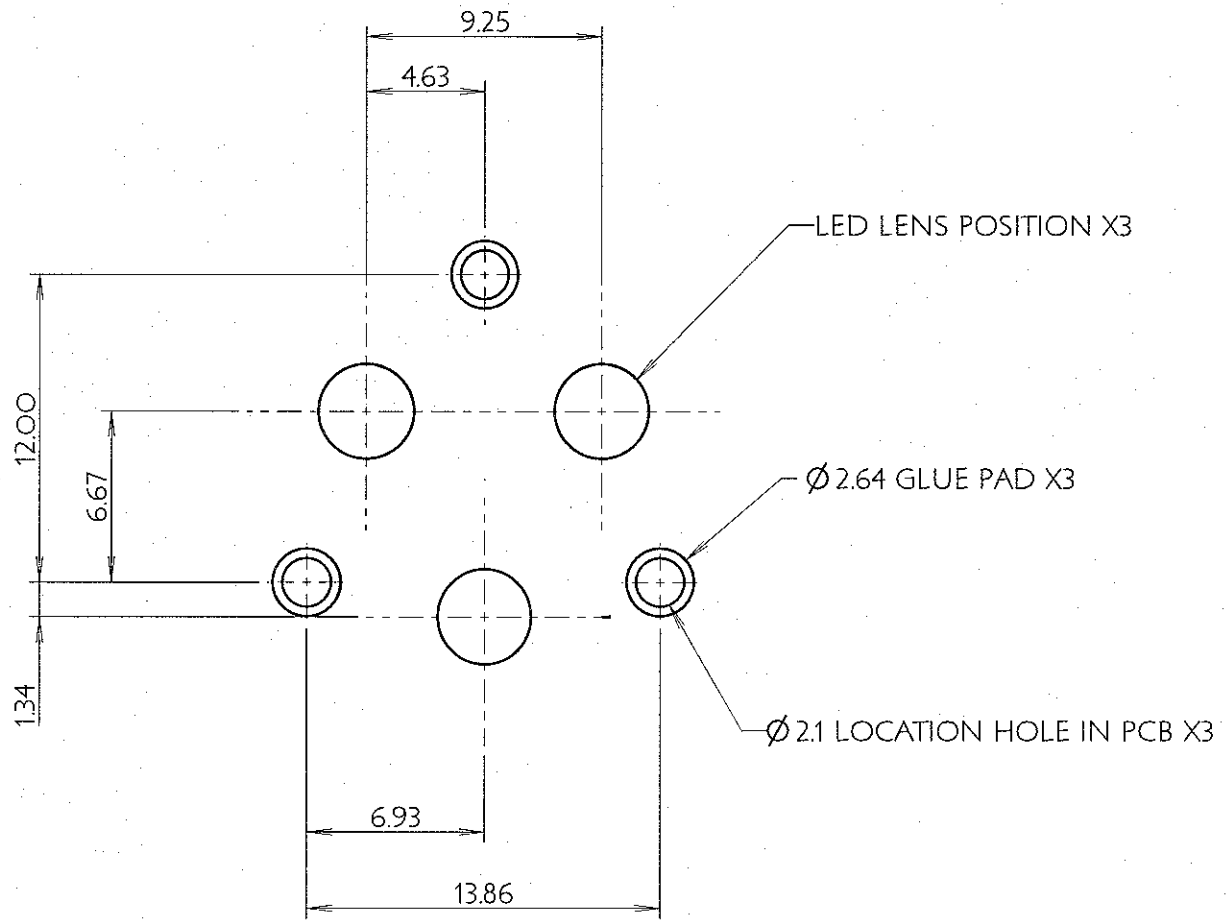
SCALE 4:1 COIL PART No. 10507

SIZE A3 COIL DRG. No. 60522 SHEET 2 OF 3



©2011 CTP-COIL
ALL DIMENSIONS IN mm

PCB HOLE & GLUE PAD LOCATION



ISS.	DATE	E.C.N.	DESCRIPTION
1	30-Apr-08		FIRST ISSUE
2	18-Jun-08		GATE SIZE INCREASED
3	12-Nov-08	10/08/1233	LEG PIN LENGTH REDUCED TO 1.5MM
3A	10-Aug-11	108/11/1306	Gate tolerance updated



technical plastics
CARCLO TECHNICAL PLASTICS (SLOUGH)
 103 BUCKINGHAM AVE, SLOUGH
 SL1 4PF, ENGLAND
 TEL: +44 1753 575011 FAX: +44 1753 811359
 email: design@carclo-optics.com

GENERAL TOLERANCES (UNLESS STATED)

LINEAR	ANGULAR
X +/- 0.25	X +/- 1°
X.X +/- 0.1	X.X +/- 0.5°
X.XX +/- 0.05	X.XX +/- 0.1°

CUSTOMER
CARCLO

TITLE
10mm TRIPLE OPTIC SPOT

DRAWN M.K. DATE 30-Apr-08

CHK'D PW DATE 10-Aug-11

APP'D BB DATE 10-Aug-11

SCALE 5:1 COIL PART No. 10507

SIZE A3 COIL DRG. No. 60522 SHEET 3 OF 3