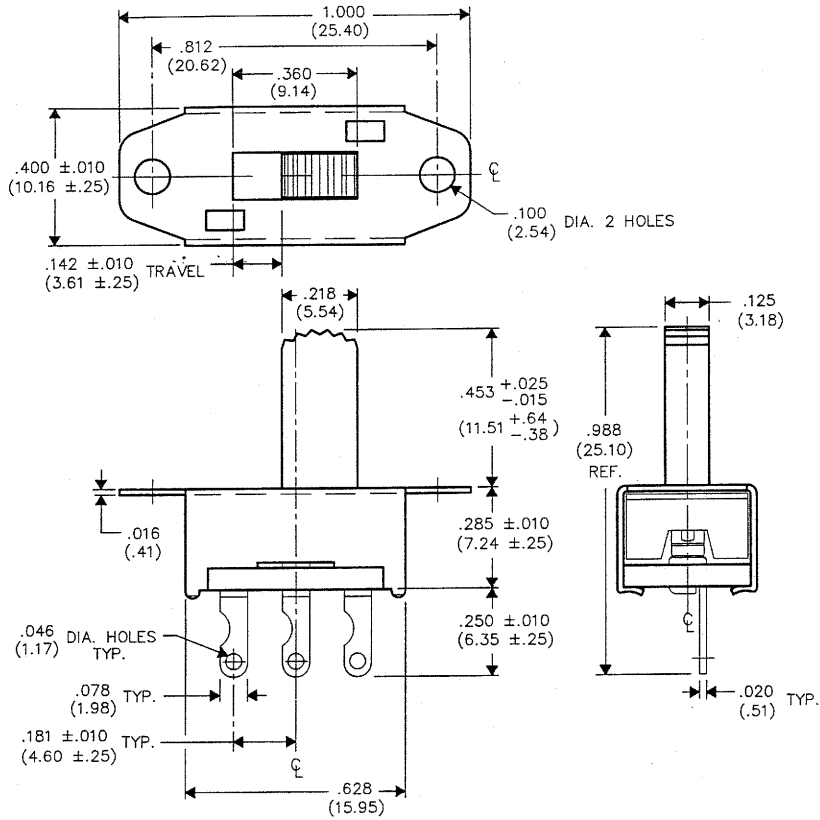


DIMENSIONS IN INCHES (MILLIMETERS)
DO NOT SCALE DRAWING

Dwg. No.

GF-124-0204



1 2 3 4 5 6 7 8 9 10

B-FORMAT 2002 REVISIONS 0 RELEASED 11-01-2005 DGW NOV 28 2005							CW INDUSTRIES Southampton, Pa. 18966 TOLERANCES UNLESS OTHERWISE SPECIFIED 2 Place Decimal ±.010 METRIC 3 Place Decimal ±.005 1 Place Dec. ±.25mm Angles ±1' 2 Place Dec. ±.13mm		Title: MINI-SLIDE SWITCH S.P./D.T. STAGGERED TERMINALS	
	Made for: CW IND.						Division: SWITCH			
	Drawn by: DGW 11-01-2005						Dwg. No. GF-124-0204			
	Checked by: <i>G. Guld 11-22-05</i>									
	Approval: <i>[Signature] 11-28-05</i>									