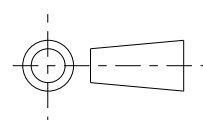


| ISS. | DATE | E.C.N. | DESCRIPTION |
|------|-----------|------------|------------------------------|
| 3 | 15-Jan-07 | 1/07/1198 | EJECTOR PIN CUTOUTS ENLARGED |
| 3A | 12-Oct-12 | 10/12/1350 | CRITICAL VALUES ADDED |

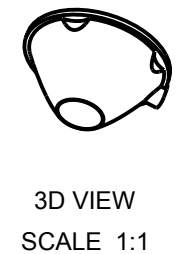
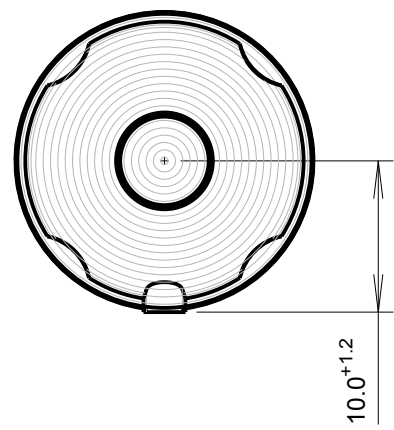
© 2011 CTP-COIL
ALL DIMENSIONS IN mm



CUSTOMER DRAWING

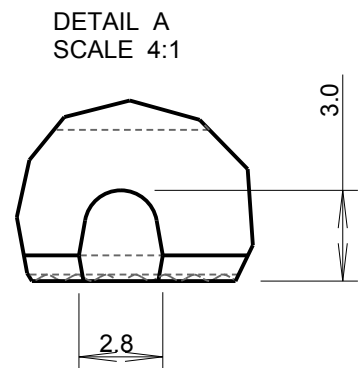
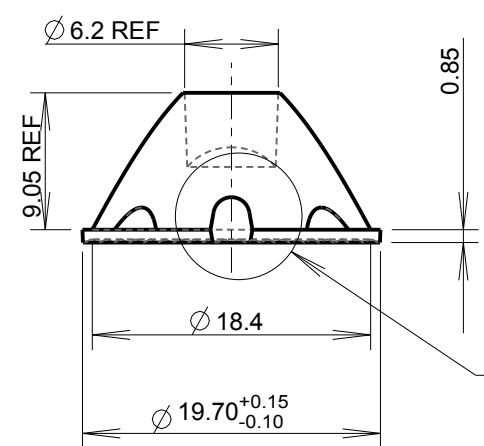
carclo
technical plastics

CARCLO TECHNICAL PLASTICS (SLOUGH)
103 BUCKINGHAM AVE, SLOUGH
SL1 4PF, ENGLAND
TEL: +44 1753 575011 FAX: +44 1753 811359
e-mail: design@carclo-optics.com



GENERAL TOLERANCES (UNLESS STATED)

| LINEAR | ANGULAR |
|---------------|---------------|
| X +/- 0.25 | X +/- 1° |
| X.X +/- 0.1 | X.X +/- 0.5° |
| X.XX +/- 0.05 | X.XX +/- 0.1° |



SEE DETAIL A

NOTES:-
1. MATERIAL: POLYCARBONATE

| | | |
|---------------------|---------------|------------|
| CUSTOMER | | |
| CARCLO | | |
| TITLE | | |
| LED OPTIC 25 DEGREE | | |
| DRAWN | DATE | |
| AJD | | 26-June-02 |
| CHK'D | DATE | |
| PW | | 12-Oct-12 |
| APP'D | DATE | |
| MH | | 12-Oct-12 |
| SCALE | COIL PART No. | |
| 2:1 | 10003/25 | |
| SIZE | COIL DRG. No. | SHEET |
| A4 | 60319 | 2 OF 2 |