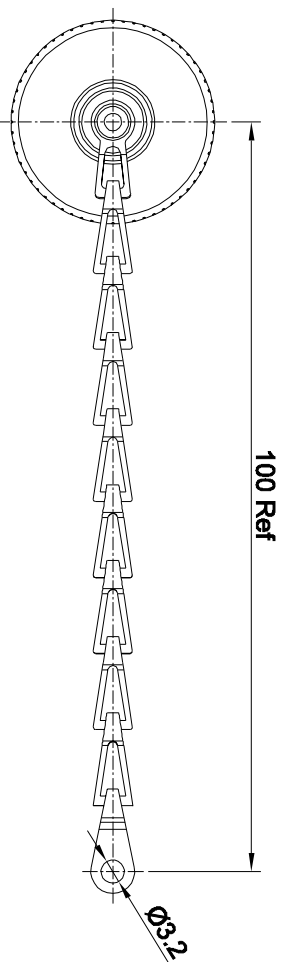
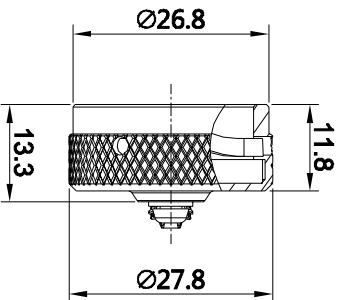


REVISIONS				
REV	ECO	DESCRIPTION	DATE	BY APPR
B1	-	RELEASED DRAWING	JUN-23-2014	BEN TOMMY



RT014DC X X
① ②

P/N	①	②	CHAIN	PLATING
RT014DC	---	---	NO CHAIN	NICKEL PLTING
RT014DCA	---	A	NO CHAIN	BLACK ANODIZING
RT014DCG	G	---	CHAIN	NICKEL PLTING
RT014DCGA	G	A	CHAIN	BLACK ANODIZING

- NOTES : (UNLESS OTHERWISE SPECIFIED)
- MATERIAL :
RIVET : COPPER ALLOY,NICKEL PLATING
CHAIN : STAINLESS STEEL
DUST CAP : AL ALLOY , NICKEL PLATED.
GASKET : EPDM.
 - SPECIFICATIONS :
2.1 OPERATING TEMPERATURE : -40°C ~ +105°C.
2.2 IP--CLASS : IP67.
2.3 MATTING CYCLES DURABILITY : 500 CYCLES MIN.
2.4 ROHS COMPLIANT.
 - ALL DIMENSIONS ARE FOR REFERENCE USE ONLY.

QUANTITY	SEE PART NUMBER CHART	PART NUMBER	DESCRIPTION	ITER
MATERIALS LIST				
UNLESS OTHERWISE SPECIFIED		SIGNATURES	DATE	
1) All dimensions are in millimeters.	2) All dimensions are in inches.	DRAWN: BEN	JUN-23-14	
1 Pl. DEC 20 2014	1 Pl. DEC 20 2014	DESIGNED: A/MS		
3 Pl. DEC 20 14	3 Pl. DEC 20 14	ENGINEER: A/MS		
3) Note reference =		APPROVAL:		
MATERIAL SPECIFICATIONS:		CUSTOMER:	ECO-MATE DUSTCAP FOR RECEPTACLE SIZE 14	
PROCESS SPECIFICATIONS:		THIS DRAWING IS SUPPLIED FOR INFORMATION ONLY. IT IS NOT TO BE USED FOR MANUFACTURING PURPOSES. THE MANUFACTURER SHALL BE RESPONSIBLE FOR THE PRODUCTION OF REPRODUCTION AND REPRODUCTION LINE LAYERS. ALL MANUFACTURING VARIATION.		
NEXT ASST:		SCALE: NONE	SIZE: B	DWG NO: RT014DCX
				REVISION: B1
				SHEET 1 OF 1

Amphenol

Sine Systems - www.amphenol-sine.com
44724 Morley Drive
Clinton Township, MI 48038

ECO-MATE DUSTCAP FOR RECEPTACLE SIZE 14

SIZE: B
TYPE: C-
DWG NO: RT014DCX
REVISION: B1
SHEET 1 OF 1

TITLE: ECO-MATE DUSTCAP FOR RECEPTACLE SIZE 14

DWG NO: RT014DCX

REV: B1

SH: 1

ITER: 1