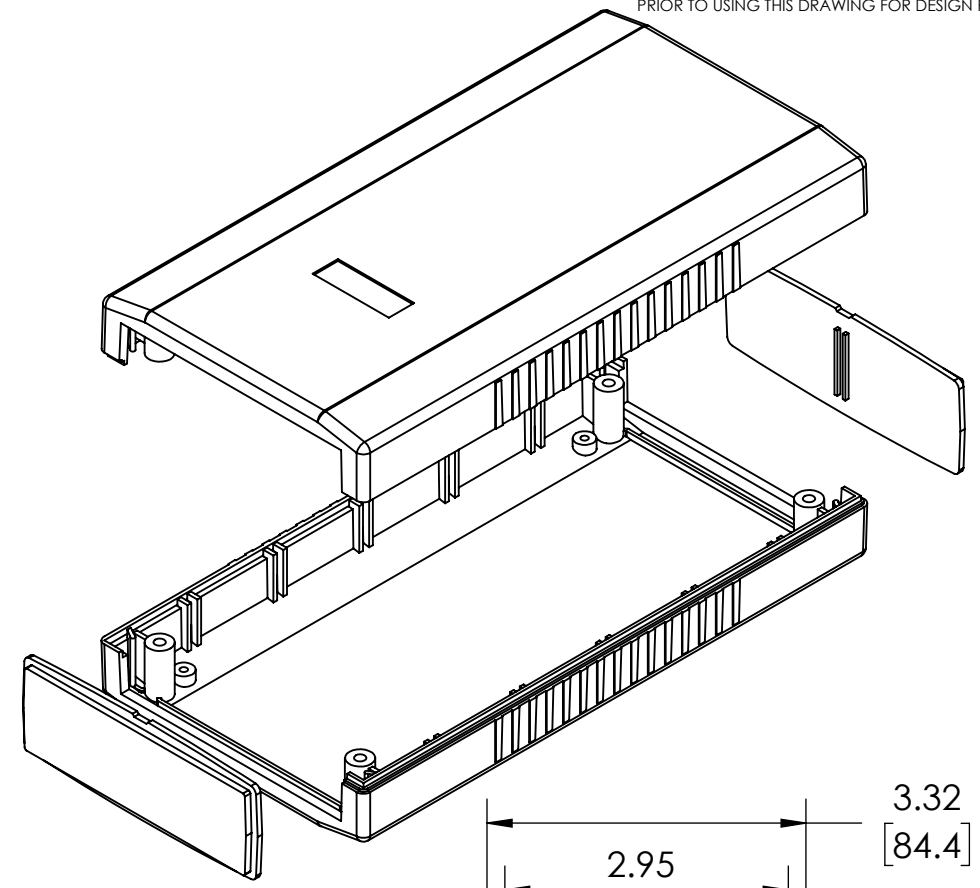
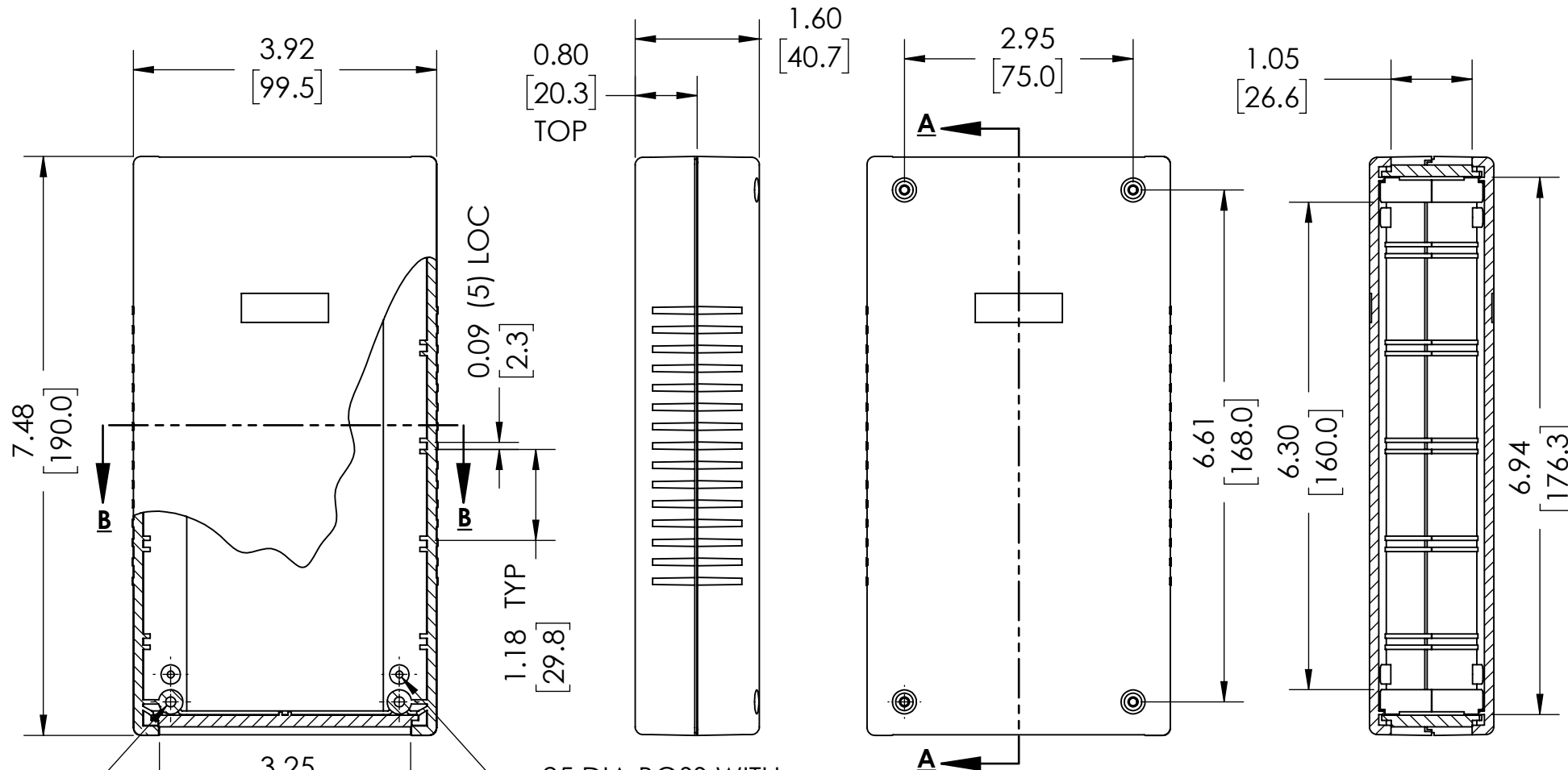
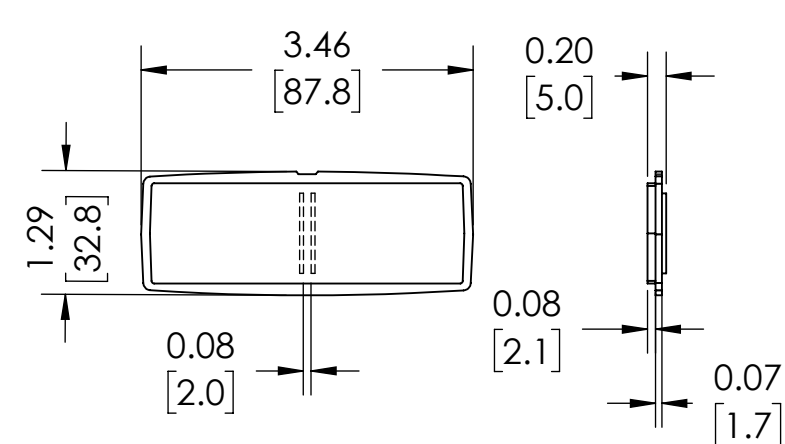


DRAWING FOR REFERENCE

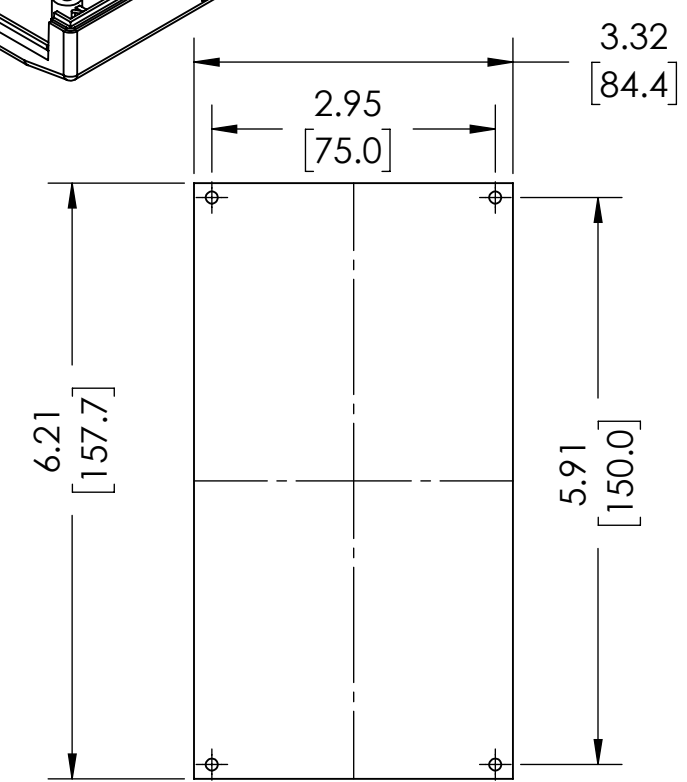
WE RESERVE THE RIGHT TO MAKE CHANGES TO OUR STANDARD PRODUCTS. PLEASE CONSULT WITH BUD INDUSTRIES PRIOR TO USING THIS DRAWING FOR DESIGN PURPOSE.



SECTION A-A



PANEL (2) PCS



SUGGESTED PCB LAYOUT

.25 DIA BOSS WITH .09 DIA HOLE X .16 DP MOUNTING BOSSSES (4) SEE PCB BELOW FOR LOCATIONS - USE M2.5 OR #4 SHEET METAL SCREW (NOT SUPPLIED)

.32 DIA BOSS WITH M3 X .25 INSERT (4)

SECTION B-B

- NOTE:**
1. FOUR (4X) M3 X 25mm [0.98"] SCREWS SUPPLIED FOR ASSEMBLY
 2. FOUR (4X) RUBBER SELF-ADHESIVE FEET SUPPLIED
 3. ALL DALL OUTSIDE AND INSIDE LARGE SURFACES FOLLOW CONTOUR OF MAIN FACE

FOR ADDITIONAL PRODUCT INFORMATION AND ACCESSORIES VISIT WWW.BUDIND.COM

MATERIAL AND FINISH:
 NO SUFFIX - DARK GRAY ABS COVERS WITH LIGHT GRAY ABS END PANELS. UL94V-0 FLAMMABILITY RATING.
 SUFFIX -LG - LIGHT GRAY ABS COVERS WITH DARK GRAY ABS END PANELS. UL94-HB FLAMMABILITY RATING.