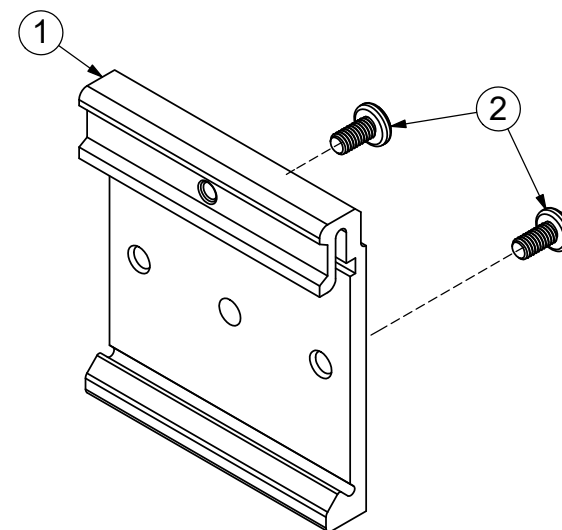
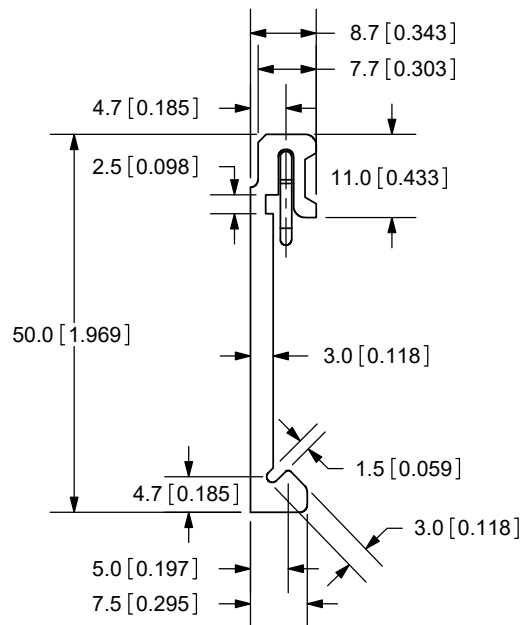
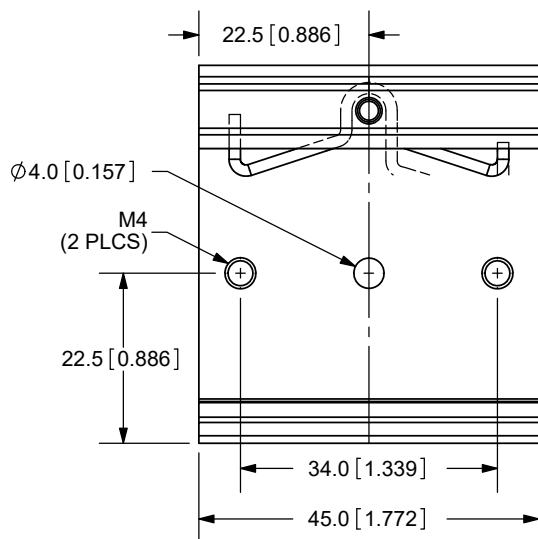


REV.	DESCRIPTION	DATE
A	NEW DRAWING	7/22/2008
B	multiple part updates	7/30/2010
C	mechanical change to the bracket shape	1/23/2012
D	updated drawing	4/27/2018



TOLERANCE: ± 0.3 MM



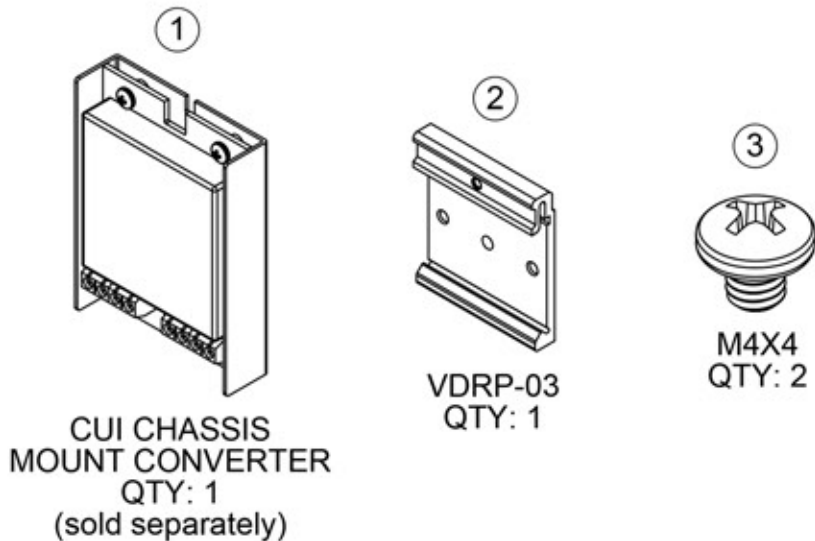
20050 SW 112th Ave.
 Tualatin, OR 97062
 Phone: 503-612-2300
 800-275-4899
 Fax: 503-612-2383
 Website: www.cui.com

TITLE: DIN RAIL MOUNTING BRACKET		REV: D
PART NO. STK-DIN		UNITS: MM [INCHES]
DRAWN BY: ZRJ	APPROVED BY:	SCALE: 1:1

ITEM	DESCRIPTION	QUANTITY
1	VDRP-03	1
2	M4X4 SCREWS	2

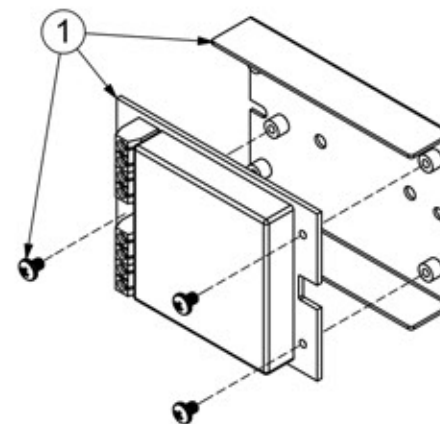
PC FILE NAME:
 STK-DIN

COPYRIGHT 2012 BY CUI INC.



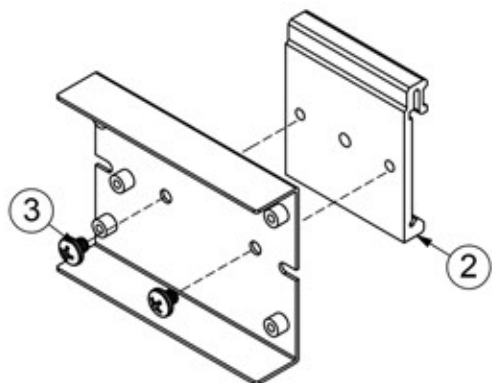
STEP 1

REMOVE PCB ASSEMBLY FROM CUI CHASSIS MOUNT CONVERTER U-FRAME BY LOOSENING THREE M3X6 SCREWS



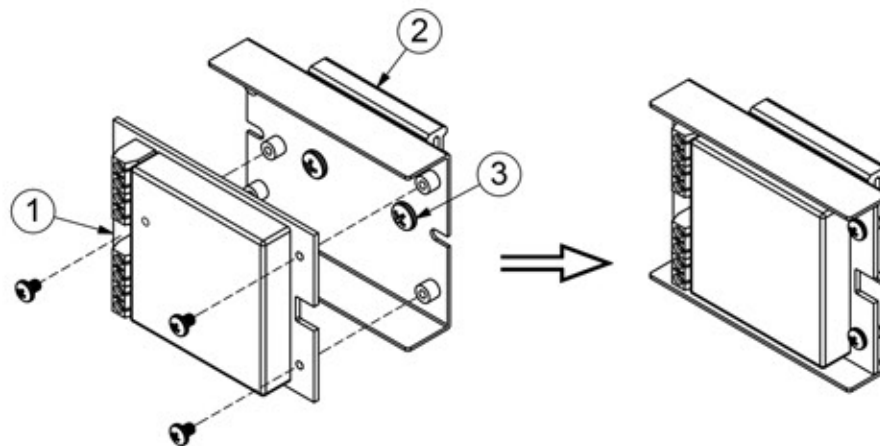
STEP 2

ATTACH VDRP-03 TO CUI CHASSIS MOUNT CONVERTER U-FRAME USING TWO M4X4 SCREWS



STEP 3

REATTACH PCB ASSEMBLY TO U-FRAME OF CUI CHASSIS MOUNT CONVERTER USING THREE M3X6 SCREWS



TITLE: DIN RAIL MOUNTING BRACKET ASSEMBLY INSTRUCTIONS		REV: D
PART NO. STK-DIN	UNITS: MM [INCHES]	
DRAWN BY: ZRJ	APPROVED BY:	SCALE: 1:2