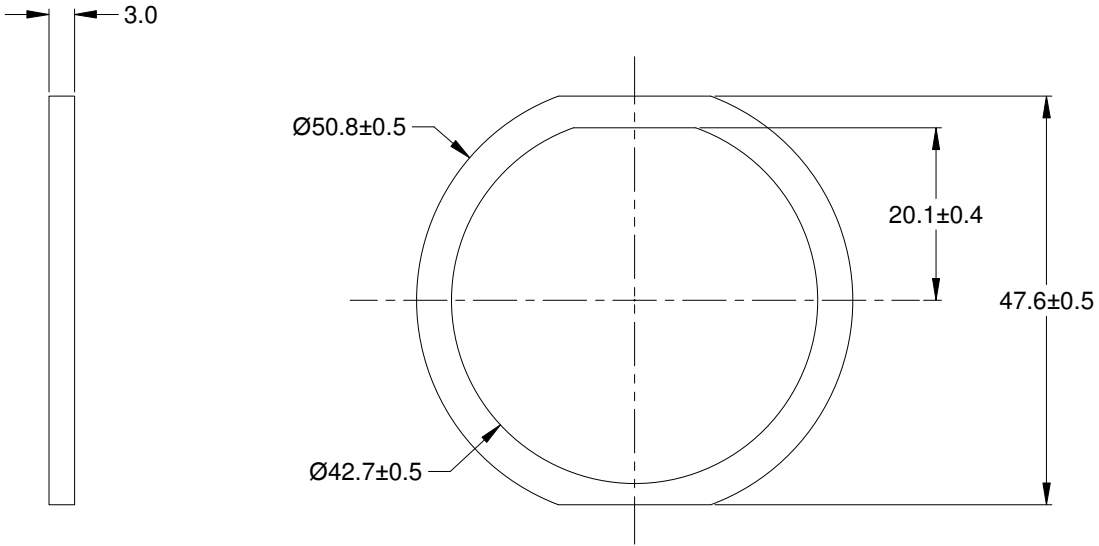


REVISIONS					
REV	ECO	DESCRIPTION	DATE	BY	APPR
A1		RELEASE NEW PRODUCT	01SEP16	SULLEN	TOMMY



NOTES: UNLESS OTHERWISE SPECIFIED

1. MATERIAL: CLD CELL SPONGE
2. COLORS: BLACK
3. RoHS COMPLIANT
4. USE WITH AHDP SERIES SIZE 24 RECEPTACLE
5. ALL DIMENSIONS ARE FOR REFERENCE USE ONLY.

AHDP-16-04477				
PART NUMBER		DESCRIPTION		ITEM
QUANTITY	MATERIALS LIST			
<small>UNLESS OTHERWISE SPECIFIED</small> 1) All dimensions are in metric (mm). 2) Tolerances are as follows: 1 PL DEC ±0.30 2 PL DEC ±0.15 3 PL DEC ±0.08 Fractions ±1/64 Angles ±1° 3) Note reference =	SIGNATURES		DATE	
	DRAWN: SULLEN.ZHANG		01SEP16	
		CHECKED: ORION.LI		01SEP16
		ENGINEER:		
		APPROVAL: TOMMY.XIE		01SEP16
MATERIAL SPECIFICATIONS:		CUSTOMER:		
PROCESS SPECIFICATIONS:		THIS DRAWING IS SUPPLIED FOR INFORMATION ONLY. DESIGN FEATURES, SPECIFICATIONS AND PERFORMANCE DATA SHOWN HEREON ARE THE PROPERTY OF THE AMPHENOL CORPORATION. NO RIGHTS OF REPRODUCTION ARE IMPLIED. ALL DIMENSIONS ARE SUBJECT TO NORMAL MANUFACTURING VARIATIONS.		
NEXT ASSY:				
		SIZE: A TYPE: C- DWG NO: AHDP-16-04477 REVISION: A1		
		SCALE: NONE		SHEET 1 OF 1

Amphenol

Sine Systems - www.amphenol-sine.com
 44724 Morley Drive
 Clinton Township, MI 48036

GASKET, RECEPTACLE, SIZE 24