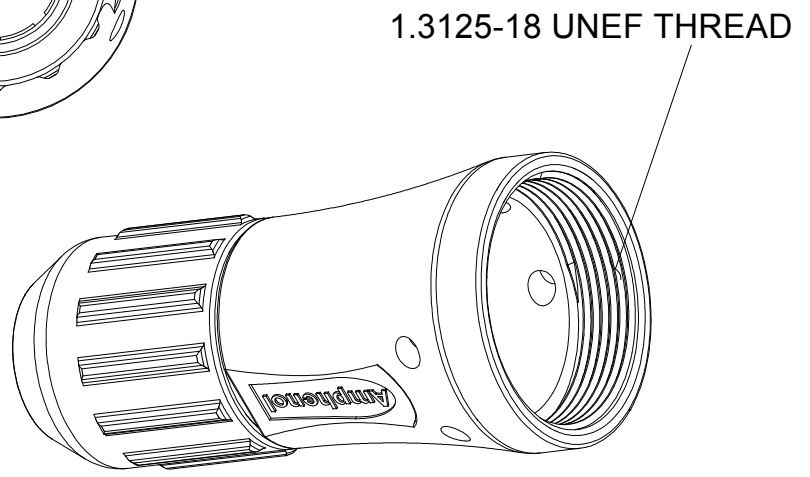
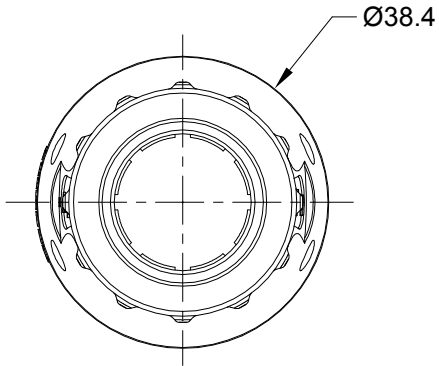
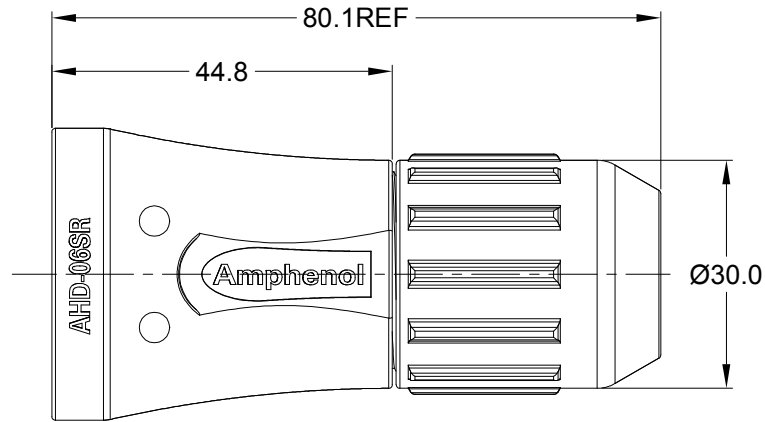


REVISIONS					
REV	ECO	DESCRIPTION	DATE	BY	APPR
A1	-	RELEASE NEW PRODUCT	31AUG18	JONY	TOMMY
A2	-	CHANGE LOGO	19NOV18	BROOK	TOMMY



NOTES: UNLESS OTHERWISE SPECIFIED

- 1. MATERIAL: THERMOPLASTIC
- 2. COLORS: BLACK
- 3. RoHS COMPLIANT
- 4. USE WITH AHD 6 POS MODIFICATION
- 5. CABLE SIZE: Ø14.5 ~ Ø18.0
- 6. ALL DIMENSIONS ARE FOR REFERENCE USE ONLY.

AHD-06SR					
PART NUMBER		DESCRIPTION			ITEM
QUANTITY	MATERIALS LIST				
UNLESS OTHERWISE SPECIFIED 1) All dimensions are in metric(mm). 2) Tolerances are as follows: 1 PL DEC ±0.30 Fractions ±1/64 2 PL DEC ±0.15 Angles ±1° 3 PL DEC ±0.08 3) Note reference =		SIGNATURES DRAWN: BROOK.DING CHECKED: ORION.LI ENGINEER: APPROVAL: TOMMY.XIE		DATE 19NOV18 19NOV18 19NOV18	
MATERIAL SPECIFICATIONS:		CUSTOMER:		<h1 style="text-align: center;">Amphenol</h1> <p style="text-align: center;">Sine Systems - www.amphenol-sine.com 44724 Morley Drive Clinton Township, MI 48036</p>	
PROCESS SPECIFICATIONS:		THIS DRAWING IS SUPPLIED FOR INFORMATION ONLY. DESIGN FEATURES, SPECIFICATIONS AND PERFORMANCE DATA SHOWN HEREON ARE THE PROPERTY OF THE AMPHENOL CORPORATION. NO RIGHTS OF REPRODUCTION ARE IMPLIED. ALL DIMENSIONS ARE SUBJECT TO NORMAL MANUFACTURING VARIATIONS.			
NEXT ASSY:		SIZE: A TYPE: C- SCALE: NONE	DWG NO: AHD-06SR	REVISION: A2	SHEET 1 OF 1