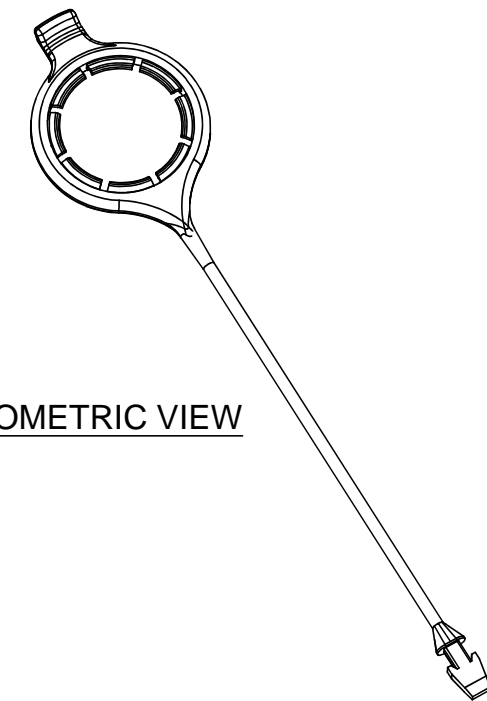
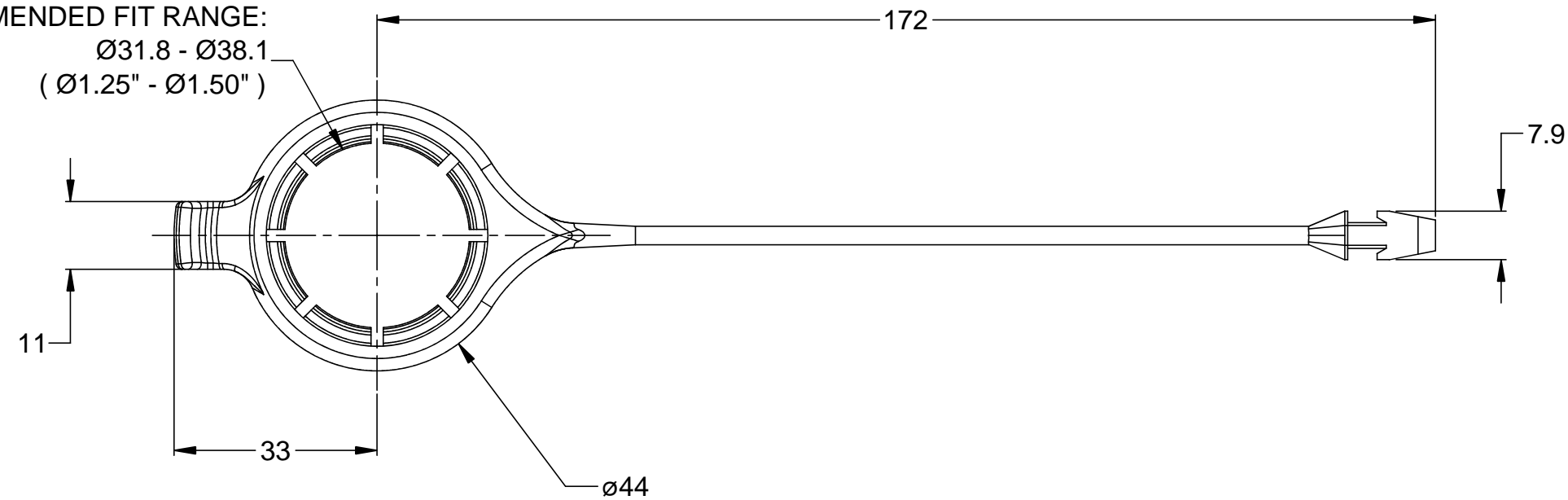


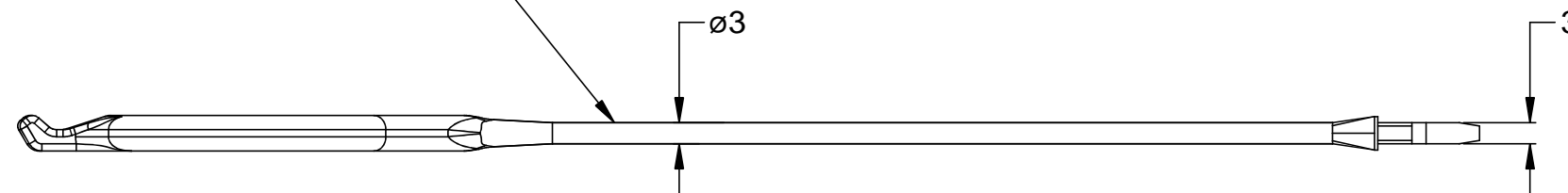
REVISIONS					
REV	ECO	DESCRIPTION	DATE	BY	APPR
A1	-	RELEASE FOR PRODUCTION	21MAR13	DRP	
A3	-	RELEASE CUSTOMER DRAWING	07NOV13	DRP	

RECOMMENDED FIT RANGE:
 $\varnothing 31.8 - \varnothing 38.1$
 ($\varnothing 1.25" - \varnothing 1.50"$)



ISOMETRIC VIEW

COLOR:
BLACK



NOTES: UNLESS OTHERWISE SPECIFIED

1. COMPATIBLE WITH CONNECTOR AHD17-9-1939PES
2. RoHS COMPLIANT.
3. ALL DIMENSIONS ARE FOR REFERENCE USE ONLY.

AHDC-09T		DESCRIPTION		ITEM
PART NUMBER				
QUANTITY	MATERIALS LIST			
UNLESS OTHERWISE SPECIFIED 1) All dimensions are in metric(mm). 2) Tolerances are as follows: 1 PL DEC ± 0.30 2 PL DEC ± 0.15 3 PL DEC ± 0.08 Fractions $\pm 1/64$ Angles $\pm 1^\circ$ 3) Note reference = $\triangle X$		SIGNATURES	DATE	<h1>Amphenol</h1> Sine Systems - www.amphenol-sine.com 44724 Morley Drive Clinton Township, MI 48036 TETHER, UNIVERSAL, AHD CAP
MATERIAL SPECIFICATIONS:		DRAWN: D.PARKS	21MAR13	
PROCESS SPECIFICATIONS:		CHECKED:		
NEXT ASSY:		ENGINEER:		
		APPROVAL:		
		CUSTOMER:		
		THIS DRAWING IS SUPPLIED FOR INFORMATION ONLY. DESIGN FEATURES, SPECIFICATIONS AND PERFORMANCE DATA SHOWN HEREON ARE THE PROPERTY OF THE AMPHENOL CORPORATION. NO RIGHTS OF REPRODUCTION ARE IMPLIED. ALL DIMENSIONS ARE SUBJECT TO NORMAL MANUFACTURING VARIATIONS.		
SIZE	TYPE	DWG NO.	REVISION	
B	C-	AHDC-09T	A3	
SCALE:	NONE	SHEET	1	OF 1

TITLE: TETHER, UNIVERSAL, AHD CAP
 DWG NO: AHDC-09T
 REV: A3
 SH: 1
 OF: 1