

Alu-Topline



Detailed product information can be found on www.bopla.de



- 4 standard lengths; flexible length design available
- 2 heights
- More dimensions on request
- Horizontally-divided profiles for easy mounting
- Recessed membrane keypad area in the lid
- Mounting grooves inside
- "Invisible" wall fitting as accessory

Colour:

Natural-coloured anodised aluminium profile; plastic lid black, similar to RAL 9005 or graphite grey, similar to RAL 7024; special colours on request

Protection class:

IP 40/DIN EN 60529; IP 54/DIN EN 60529 as an option

Enclosure material:

Extruded profiles: Al Mg Si 0.5 anodised; plastic lid: ABS; for details see Technical Information

The enclosure's profile technology allows optimal adaptation to individual requirements.



The divided enclosure profile ensures fast, easy mounting of the electronic components.



Alu-Topline has a recessed surface for mounting keypads or operating elements, e.g. hand-operated switches.



Additional smooth surfaces for mounting interfaces, e.g. USB or Sub-D connectors.



Plastic lids in quartz grey or graphite grey available as a profile end.



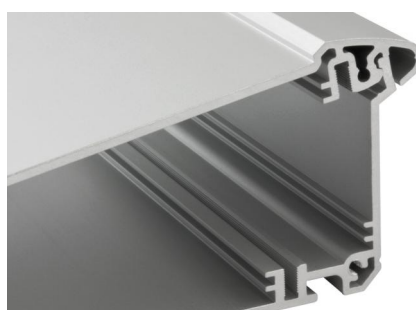
For protection class IP 54, in addition to seal AT...DI - available as an accessory - a round cord seal can be factory-fitted in the enclosure profile.



The enclosure offers a range of options for wall fitting.



Special profile lengths or other modifications are available on request.



The profiles are equipped with various plug-in slots and also screw channels for alternative uses for mounting circuit boards.

Alu-Topline | Enclosures

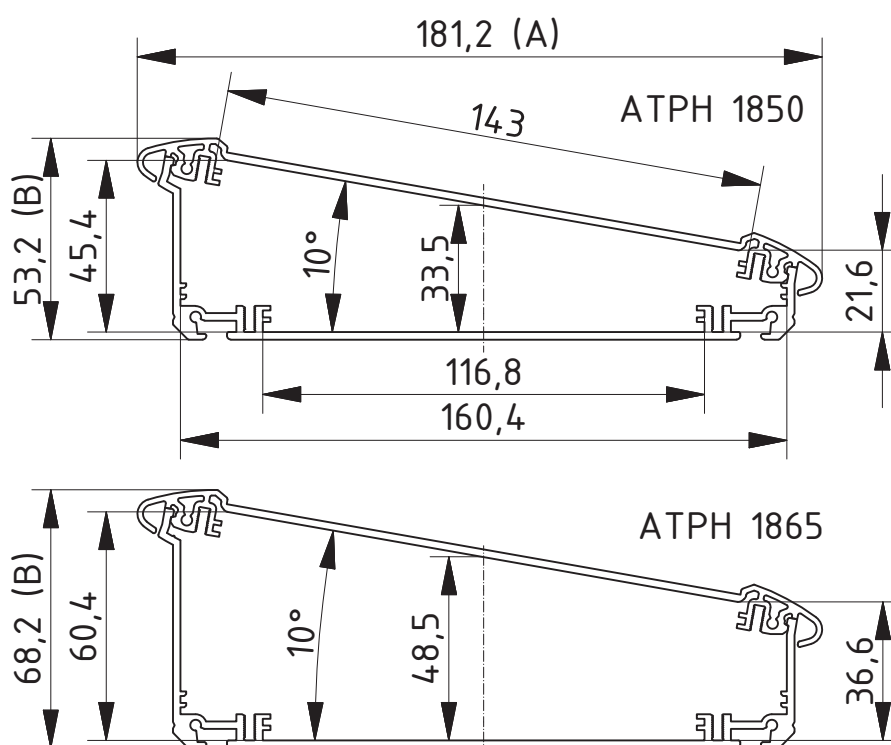


Enclosure profiles, horizontally-divided

| Model | Order no. | A | B | C |
|----------------|-----------|-------|------|-----|
| ATPH 1850-0150 | 92850150 | 181,2 | 53,2 | 150 |
| ATPH 1850-0200 | 92850200 | 181,2 | 53,2 | 200 |
| ATPH 1850-0250 | 92850250 | 181,2 | 53,2 | 250 |
| ATPH 1850-0300 | 92850300 | 181,2 | 53,2 | 300 |
| ATPH 1865-0150 | 92865150 | 181,2 | 68,2 | 150 |
| ATPH 1865-0200 | 92865200 | 181,2 | 68,2 | 200 |
| ATPH 1865-0250 | 92865250 | 181,2 | 68,2 | 250 |
| ATPH 1865-0300 | 92865300 | 181,2 | 68,2 | 300 |

Scope of delivery: Enclosure profile, 2 parts

Note: Special lengths on request.



Z-2803215

Alu-Topline | Accessories

End cover

| Model | Order no. | Colour | Note |
|---------------|-----------|---------------|---------------|
| ATD 1850-7024 | 92050024 | Graphite grey | For ATPH 1850 |
| ATD 1850-9005 | 92050005 | Black | For ATPH 1850 |
| ATD 1865-7024 | 92065024 | Graphite grey | For ATPH 1865 |
| ATD 1865-9005 | 92065005 | Black | For ATPH 1865 |

Scope of delivery: 2 lids, 8 screws, 8 screw covers



Seals for ingress protection IP 54

| Model | Order no. | Note |
|------------|-----------|---------------|
| AT 1850 DI | 92050000 | For ATPH 1850 |
| AT 1865 DI | 92065000 | For ATPH 1865 |

Scope of delivery: 5 sets of sponge rubber seals (r. / l.)

Note: For protection class IP 54, in addition to seal AT...DI - available as an accessory - a round cord seal can be factory-fitted in the enclosure profile. Using the seals increases the enclosure width by approx. 1.6 mm.



Wall fastening, aluminium

| Model | Order no. | Note |
|-----------------|-----------|--------------------|
| AT 1800-0150 WB | 92800150 | For ATPH-0150 |
| AT 1800-0200 WB | 92800200 | For ATPH-0200 |
| AT 1800-0250 WB | 92800250 | For ATPH-0250 |
| AT 1800-0300 WB | 92800300 | For ATPH-0300 |

Scope of delivery: 1 wall profile, 2 slotted set screws

Note: Special lengths on request.

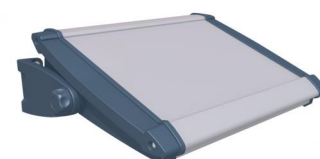


Universal wall fitting

| Model | Order no. | Colour | Note |
|------------------|-----------|---------------|--------------------|
| AT 0150-7024 UWB | 92815024 | Graphite grey | For ATPH-0150 |
| AT 0200-7024 UWB | 92820024 | Graphite grey | For ATPH-0200 |
| AT 0250-7024 UWB | 92825024 | Graphite grey | For ATPH-0250 |
| AT 0300-7024 UWB | 92830024 | Graphite grey | For ATPH-0300 |

Scope of delivery: Profile (aluminium), 2 PA6 side flanges (complete), screws, covers

Note: Can be swivelled in 10° stages. Enclosure processing on request.



Insulating strip for PCB mounting on the profile

| Model | Order no. | Note |
|-------------|-----------|------------------|
| AT-IS 00020 | 92000100 | Length: 101,5 mm |

Scope of delivery: 1 insulating strip



Rubber feet

| Model | Order no. | Colour | Note |
|---------|-----------|--------|---------------------------|
| AB - GF | 84006700 | Black | Polyurethane, 65-75 Shore |

Scope of delivery: 4 rubber feet

