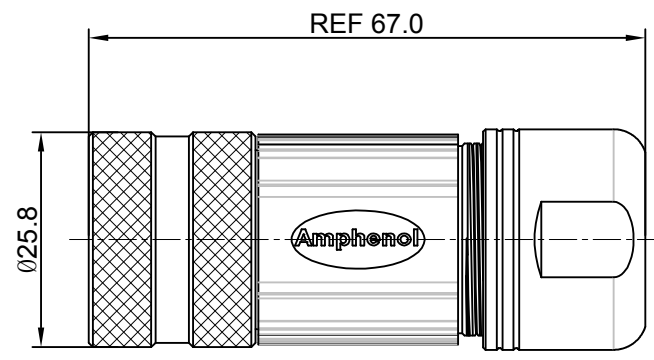
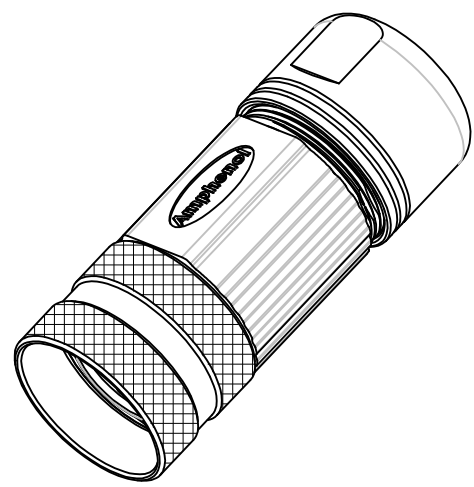
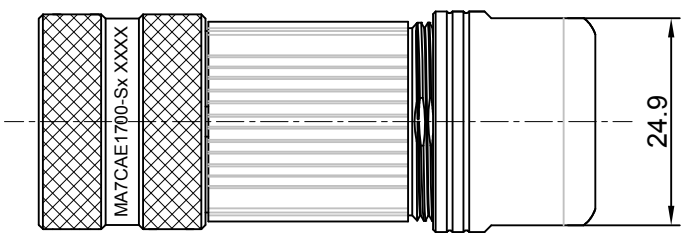
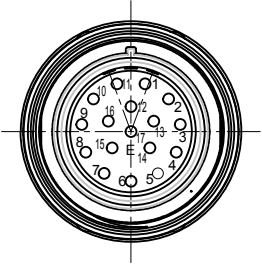


| REVISIONS | | | | | |
|-----------|-----|---------------|-------------|-------|-------|
| REV | ECO | DESCRIPTION | DATE | BY | APPR |
| A1 | - | FIRST RELEASE | Oct.30,2017 | White | Tommy |



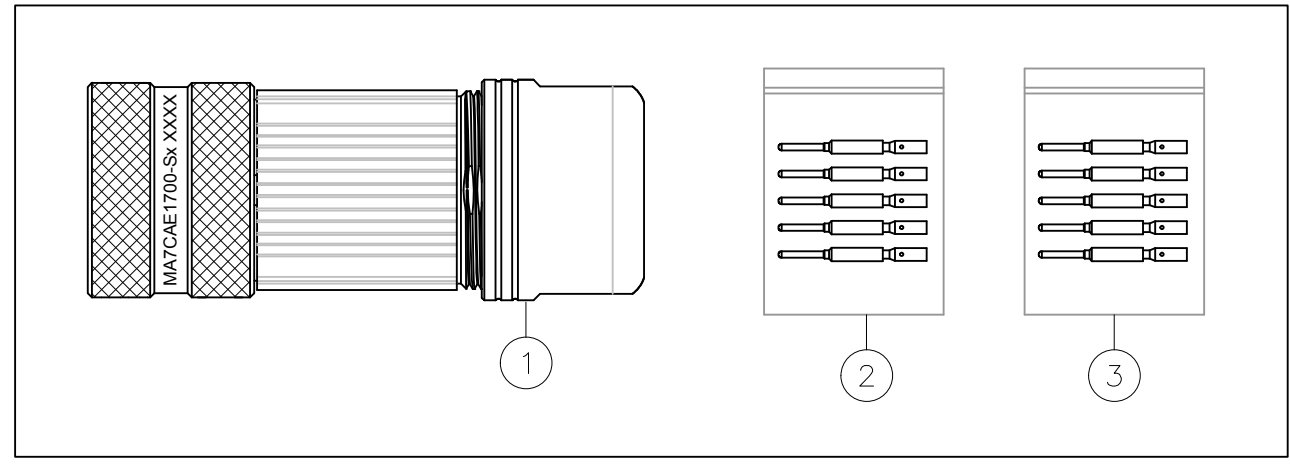
E type, Normal Key
(E型, 0转位角)



NOTES: UNLESS OTHERWISE SPECIFIED

- MATERIAL:
INSULATION INSERT: PA66,UL94 V0
SEAL: VITON, EPDM
HOUSING BODY: ZINC DIE CAST, NICKEL PLATED
COUPLING NUT: COPPER ALLOY, NICKEL PLATED
CONTACT: COPPER ALLOY, GOLD PLATED
- SPECIFICATIONS:
2.1 CURRENT RATING: 9 AMPS
2.2 VOLTAGE RATING: 125 V AC/DC
2.3 CONTACT RESISTANCE: <5 mOHMS
2.4 OPERATING TEMPERATURE: -20°C TO +130°C
2.5 DIELECTRIC WITHSTANDING VOLTAGE: LESS THAN 2 MILLIAMPS CURRENT LEAKAGE @ 2500 VOLTS AC.
2.6 DEGREE OF PROTECTION: IP67 (MATED CONDITION)
2.7 DEGREE OF POLLUTION: 3 PER UL840
2.8 OVERVOLTAGE CATEGORY: III PER UL840
2.9 MATING CYCLE DURABILITY: >500 CYCLES
2.10 RoHS COMPLIANT
- ALL DIMENSIONS ARE FOR REFERENCE USE ONLY.

| Item | Part number | Connector P/N | Cable OD Range |
|------|-------------------|---------------|----------------|
| 1 | MA7CAE1700-S1-KIT | MA7CAE1700-S1 | 4.5~7.5 mm |
| 2 | MA7CAE1700-S2-KIT | MA7CAE1700-S2 | 7.5~11.0 mm |
| 3 | MA7CAE1700-S3-KIT | MA7CAE1700-S3 | 11.0~15.0 mm |



| 17 | SC000146 | CONTACT, PIN, Ø1.0mm ,Crimp 28~24AWG | 3 |
|----------|---------------|--------------------------------------|------|
| 17 | SC000035 | CONTACT, PIN, Ø1.0mm, Crimp 22~18AWG | 2 |
| 1 | MA7CAE1700-Sx | CONNECTOR | 1 |
| QUANTITY | PART NUMBER | DESCRIPTION | ITEM |

MATERIALS LIST

| UNLESS OTHERWISE SPECIFIED | | SIGNATURES | | DATE |
|--------------------------------------|-----------------|----------------------------------------------------------------------------------------------------------------------------------------------------------------------------------------------------------------------------------------------------------------------|-------|-----------|
| 1) All dimensions are in metric(mm). | | DRAWN: | White | Oct.30,17 |
| 2) Tolerances are as follows: | | CHECKED: | Tod | Oct.30,17 |
| 1 PL DEC ±0.30 | Fractions ±1/64 | ENGINEER: | | |
| 2 PL DEC ±0.15 | Angles ±1° | APPROVAL: | Tommy | Oct.30,17 |
| 3 PL DEC ±0.08 | | CUSTOMER: | | |
| 3) Note reference = \triangle | | THIS DRAWING IS SUPPLIED FOR INFORMATION ONLY. DESIGN FEATURES, SPECIFICATIONS AND PERFORMANCE DATA SHOWN HEREON ARE THE PROPERTY OF THE AMPHENOL CORPORATION. NO RIGHTS OF REPRODUCTION ARE IMPLIED. ALL DIMENSIONS ARE SUBJECT TO NORMAL MANUFACTURING VARIATIONS. | | |

Sine Systems - www.amphenol-sine.com
44724 Morley Drive
Clinton Township, MI 48036

KIT;M23A,PLUG,STR,17P,E TYPE

| SIZE | TYPE | DWG NO: | REVISION |
|------|------|-------------------|----------|
| B | C- | MA7CAE1700-Sx-KIT | A1 |

SCALE: NONE SHEET 1 OF 1

TITLE: KIT;M23A,PLUG,STR,17P,E TYPE DWG NO: MA7CAE1700-Sx-KIT REV: A1 SH: 1 OF: 1