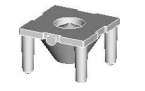
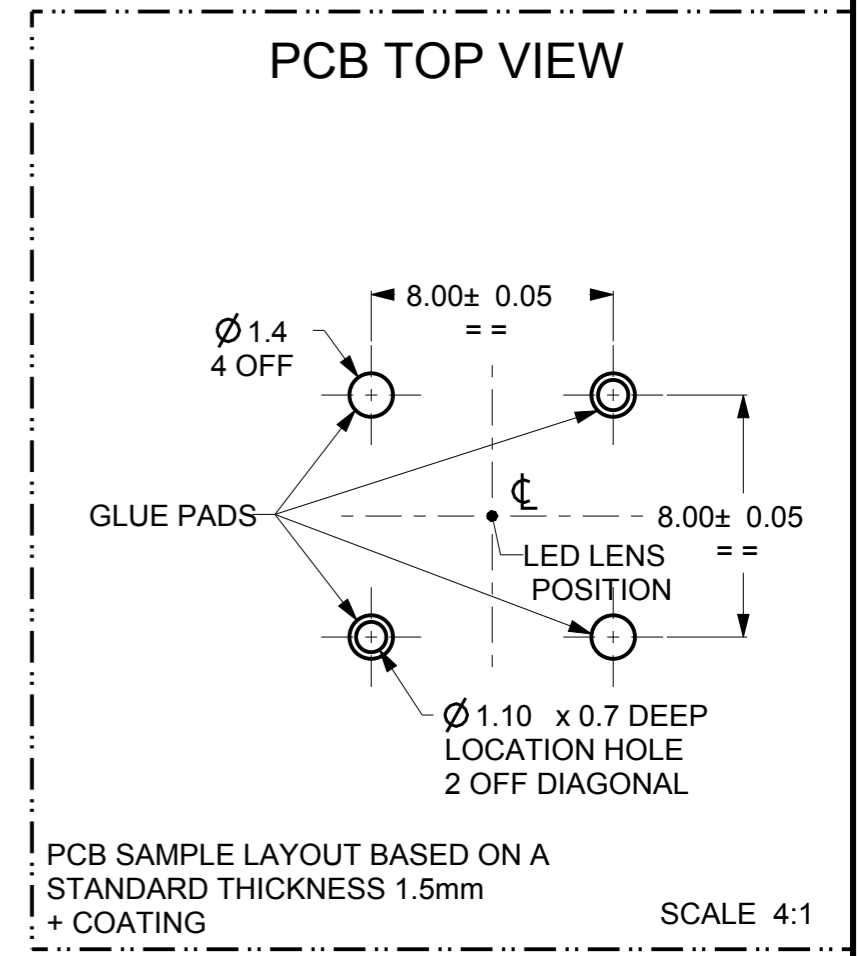
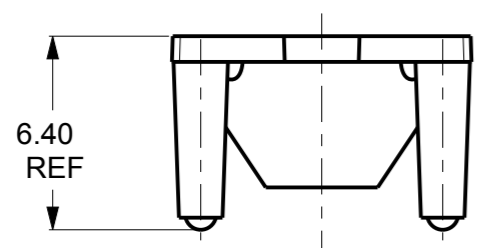
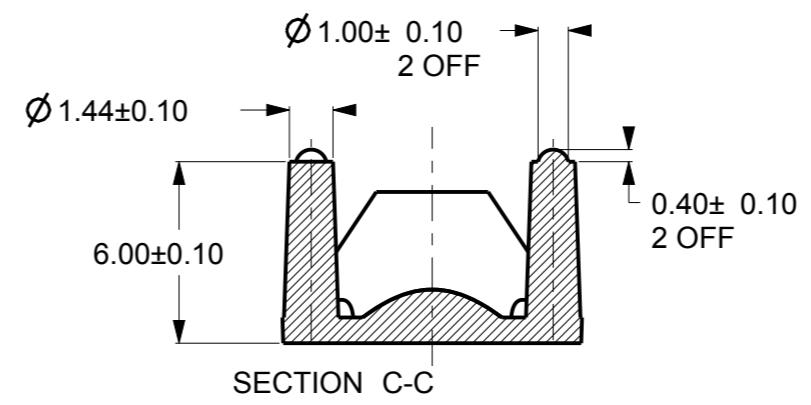
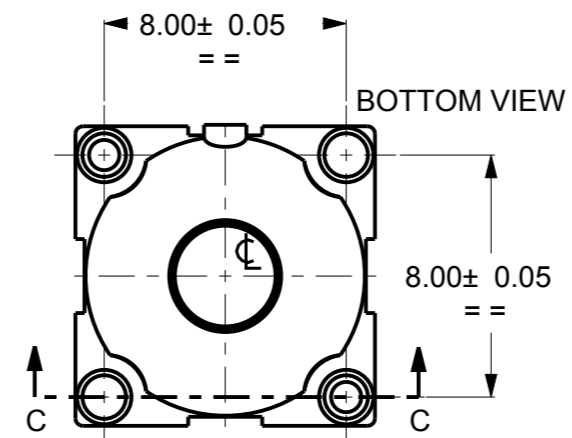
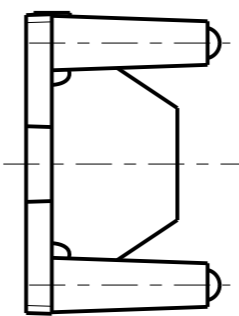
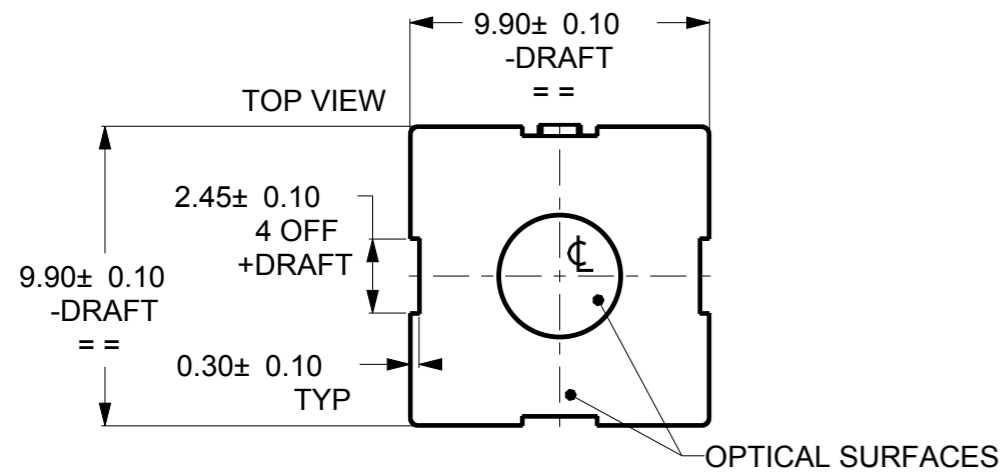


CUSTOMER DRAWING

SHEET 2 ONLY

| REV. | DATE | D.C.N. NUMBER | DESCRIPTION | CHECKED BY DATE | APPROVED BY DATE |
|------|----------|---------------|-------------------------------------------------------------------------------------------------|-----------------|------------------|
| 1 | 17/11/08 | | FIRST ISSUE | NAME dd/mm/yy | NAME dd/mm/yy |
| 1 A | 05/12/11 | 12-11-1322 | DRAWING UPDATED WITH NEW DRW. STANDARDS AND NEW CARCLO OPTICS FORMAT FOR FULL DETAILS SEE D.C.N | PW 16/07/12 | MH 16/07/12 |



SCALE 1:1

- NOTES:
- 1 - MATERIAL: POLYCARBONATE
 - 2 - FINISH: COMMERCIAL POLISH FOR ALL NON OPTICAL SURFACES. OPTICAL SURFACES ARE OPTICALLY POLISHED
 - 3 - OVERALL PART THICKNESS = SEE 3D FILE
 - 4 - COLOUR CLEAR
 - 5 - GENERAL DRAFT 2°
 - 6 - SIMPLIFIED GEOMETRY SHOWN. NOT SUITABLE FOR OPTICAL RAYTRACE

SCALE 4:1

Sheet 2 of 2

| | | | | | |
|-----------------------------------------------------------------------------------------------------------------------------------------------|--|--------------------------------------------------------------------------------------------------------------------------------------------------------|-------|----------------------------------------------------------------------------------------------------|--------|
| | | Title | | 10mm SQUARE FRONT LENS OPTIC | |
| 103 Buckingham Avenue, SL1 4PF, U.K. Tel: +44 (0)1753 575 011 Fax: +44 (0)1753 811 359 sales@carclo-optics.com www.carclo-optics.com | | Drawn by | FP | Customer | CARCLO |
| THIRD ANGLE PROJECTION | | GENERAL TOLERANCES UNLESS OTHERWISE STATED LINEAR ANGULAR 0 ± 0.25 0 ± 1° 0.0 ± 0.1 0.0 ± 0.5° 0.00 ± 0.05 0.00 ± 0.1° | | CARCLO Optics CONFIDENTIAL: UNAUTHORISED COPYING, DISCUSSION & DISTRIBUTION PROHIBITED | |
| | | DIMENSIONS IN mm | | Format Size | A3 |
| | | CAD File | 60553 | | |
| | | Part N° | 10417 | Drw N° | 60553 |