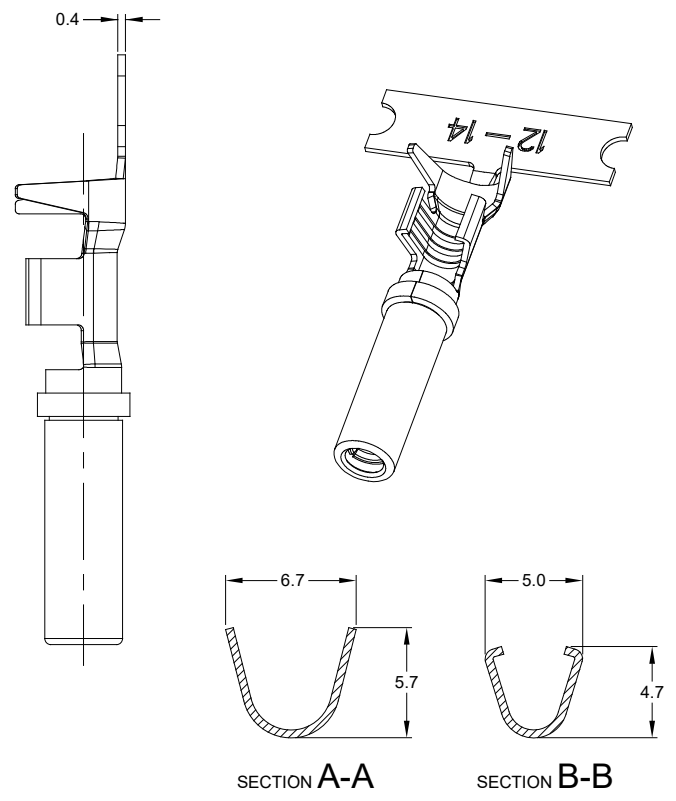
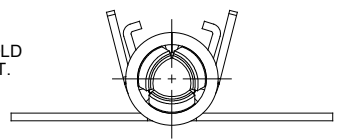


| REVISIONS | | | | | |
|-----------|--------|------------------------|-----------|-----|-------|
| REV | ECO | DESCRIPTION | DATE | BY | APPR |
| A3 | - | RELEASE NEW DWG FORMAT | 21/OCT/13 | DRP | - |
| A4 | C1070S | UPDATE DRAWING | 28/JUN/19 | JOE | TOMMY |



NOTES: UNLESS OTHERWISE SPECIFIED

- MATERIAL: COPPER ALLOY
- PLATING: SEE PART NUMBER CHART
*FOR GOLD PLATED CONTACTS: SELECTIVE GOLD FLASH IN CONTACT ZONE OR ENTIRE CONTACT.
- CONTACT SIZE: 12
- SPECIFICATIONS:
 - CURRENT RATING: 25 AMPS
 - CONTACT MILLIVOLT DROP: 100 MILLIVOLT DROP @ 25 AMP TEST CURRENT.
 - RoHS COMPLIANT
- RECOMMENDED WIRE RANGE: 12 - 14 AWG
- PACKAGE: 2000 PCS/REEL
- AVAILABLE APPLICATORS: MFX-3973-K OR MFX-3973-G
- ALL DIMENSIONS ARE FOR REFERENCE USE ONLY



| PART NUMBER CHART | |
|-------------------|--------------|
| PLATING | PART NUMBER |
| NICKEL | AT62-12-0166 |
| GOLD | AT62-12-0144 |

| | | | |
|--|----------------|--|----------------------------|
| SEE PART NUMBER CHART | | REF: 1062-12-0144, 1062-12-0166 | |
| PART NUMBER | | DESCRIPTION | |
| QUANTITY | MATERIALS LIST | | |
| UNLESS OTHERWISE SPECIFIED: 1) All dimensions are in metric (mm). 2) Tolerances are as follows: 1 PL DEC ±0.30 2 PL DEC ±0.15 3 PL DEC ±0.08 Fractions ±1/64 Angles ±1° | | SIGNATURES DATE DRAWN: JOE SONG 28/JUN/19 CHECKED: ORION LI 28/JUN/19 ENGINEER: APPROVAL: TOMMY XIE 28/JUN/19 | |
| MATERIAL SPECIFICATIONS: | | CUSTOMER: | |
| PROCESS SPECIFICATIONS: | | THIS DRAWING IS SUPPLIED FOR INFORMATION ONLY. DESIGN FEATURES, SPECIFICATIONS AND PERFORMANCE DATA SHOWN HEREON ARE THE PROPERTY OF THE AMPHENOL CORPORATION. NO RIGHTS OF REPRODUCTION ARE IMPLIED. ALL DIMENSIONS ARE SUBJECT TO NORMAL MANUFACTURING VARIATIONS. | |
| NEXT ASSY: | | SIZE: B C- | TYPE: DWG NO: AT62-12-01XX |
| | | SCALE: NONE | REVISION: A4 |
| | | SHEET 1 | OF 1 |

TITLE: CONTACT, STAMPED, SIZE 12, 12-14AWG, A SERIES
DWG NO: AT62-12-01XX
REV: A4
SH: 1
OF: 1