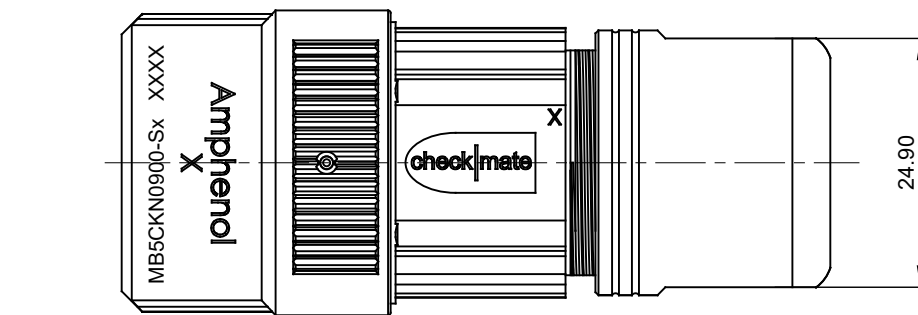
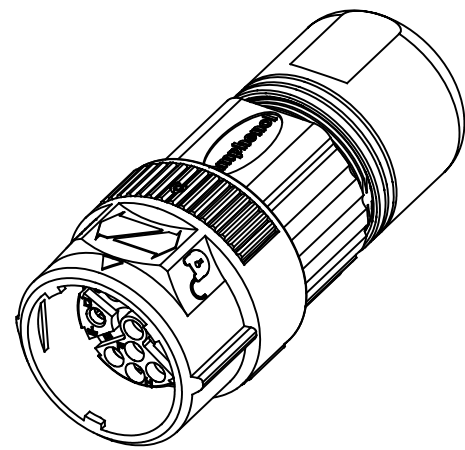
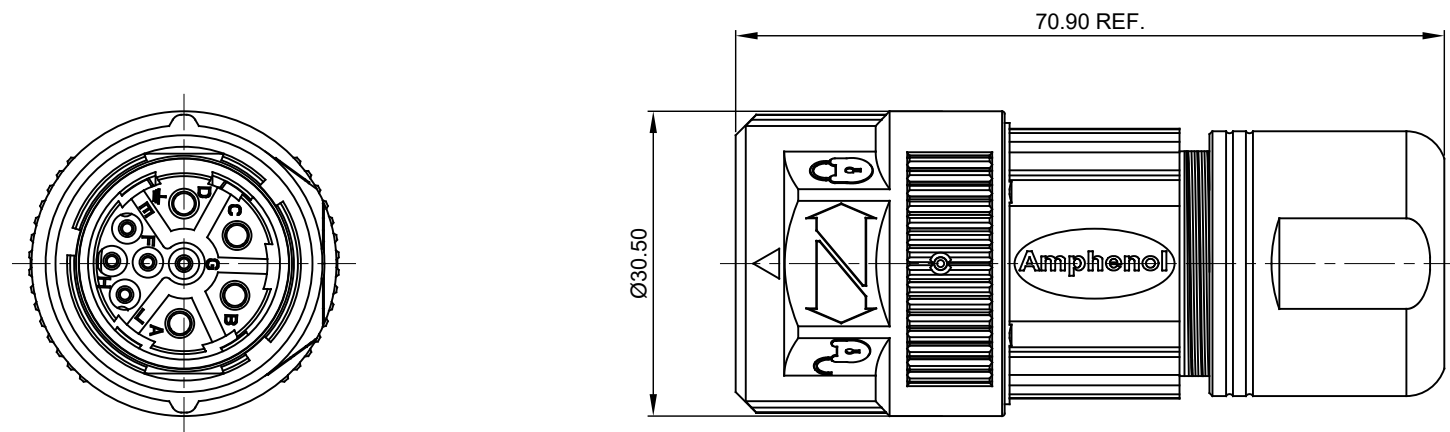


| REVISIONS | | | | | |
|-----------|-----|----------------------|------------|-------|-------|
| REV | ECO | DESCRIPTION | DATE | BY | APPR |
| A1 | - | FIRST RELEASE | Nov.6,2017 | White | Tommy |
| A2 | - | ADDED ITEM 5 TO BOM. | 12/13/2021 | RO | RO |



NOTES: UNLESS OTHERWISE SPECIFIED

- MATERIAL:
 - INSULATION INSERT: PA66, UL94 V0
 - SEAL: VITON, EPDM
 - HOUSING BODY: ZINC DIE CAST, NICKEL PLATED
 - COUPLING NUT: ZINC DIE CAST, NICKEL PLATED
 - CONTACT: COPPER ALLOY, GOLD PLATED
- SPECIFICATIONS:
 - 2.1 CURRENT RATING: SIGNAL: 10 AMPS
POWER: 30AMPS
 - 2.2 VOLTAGE RATING: SIGNAL: 250V AC/DC
POWER: 630V AC/DC
 - 2.3 CONTACT RESISTANCE: SIGNAL: <5 mOHMS
POWER: <3 mOHMS
 - 2.4 OPERATING TEMPERATURE: -20°C TO +130°C
 - 2.5 DIELECTRIC WITHSTANDING VOLTAGE: LESS THAN 2 MILLIAMPS CURRENT LEAKAGE @ SIGNAL: 2500VOLTS AC.
POWER: 6000 VOLTS AC.
 - 2.6 DEGREE OF PROTECTION: IP67 (MATED CONDITION)
 - 2.7 DEGREE OF POLLUTION: 3 PER UL840
 - 2.8 OVERVOLTAGE CATEGORY: III PER UL840
 - 2.9 MATING CYCLE DURABILITY: >500 CYCLES
 - 2.10 RoHS COMPLIANT

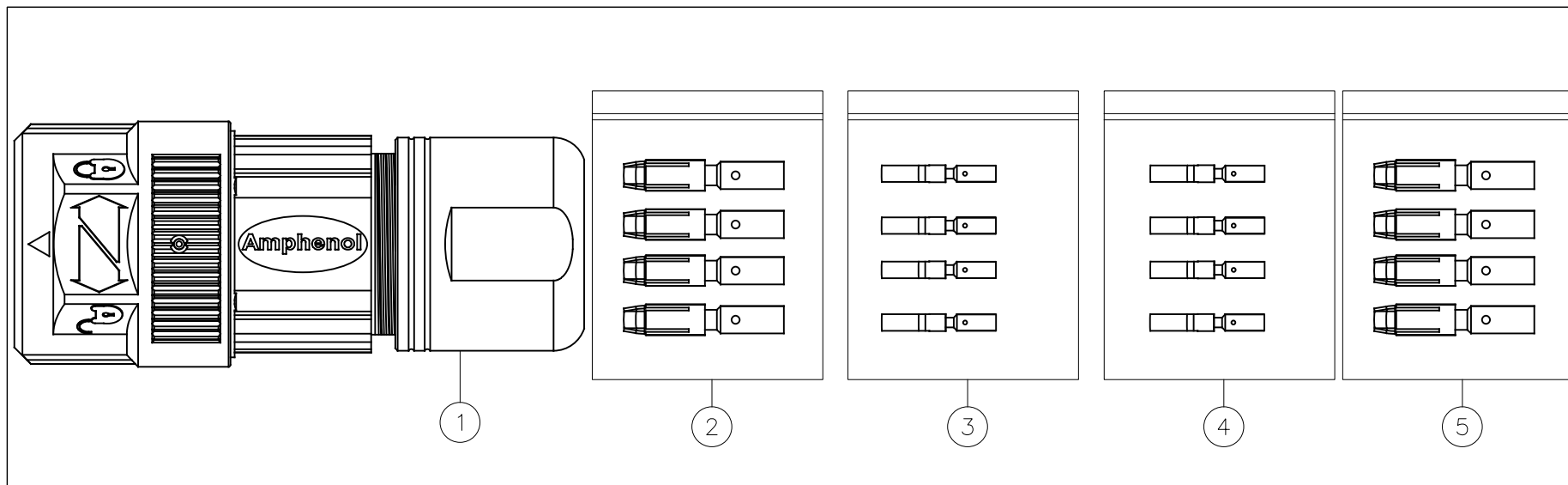
3. ALL DIMENSIONS ARE FOR REFERENCE USE ONLY.

| Item | Part number | Connector P/N | Cable OD Range |
|------|-------------------|---------------|----------------|
| 1 | MB5CKN0900-S1-KIT | MB5CKN0900-S1 | 7.5~11.0 mm |
| 2 | MB5CKN0900-S2-KIT | MB5CKN0900-S2 | 11.0~14.5 mm |
| 3 | MB5CKN0900-S3-KIT | MB5CKN0900-S3 | 14.5~17.0 mm |

| 5 | SC000523 | M23B, ELITE SERIES, 2.0MM SOCKET | 5 |
|----------|---------------|---------------------------------------|------|
| 5 | SC000385 | Socket contact, 1.0mm, Crimp 24~28AWG | 4 |
| 5 | SC000259 | Socket contact, 1.0mm, Crimp 18~22AWG | 3 |
| 4 | SC000260 | Socket contact, 2.0mm, Crimp 14~18AWG | 2 |
| 1 | MB5CKN0900-Sx | CONNECTOR | 1 |
| QUANTITY | PART NUMBER | DESCRIPTION | ITEM |

MATERIALS LIST

| | | | | | | | | | | | | | |
|--------------------------------------|------|--|----------|------------|--|------|------|---------|----------|---|----|-------------------|----|
| UNLESS OTHERWISE SPECIFIED | | SIGNATURES | | DATE | <h1>Amphenol</h1> <p>Sine Systems - www.amphenol-sine.com 44724 Morley Drive Clinton Township, MI 48036</p> <p>KIT;M23B,PLUG,STR,9POS(4+5),CHECKMATE</p> | | | | | | | | |
| 1) All dimensions are in metric(mm). | | DRAWN: | White | Nov.6,2017 | | | | | | | | | |
| 2) Tolerances are as follows: | | CHECKED: | Tod | Nov.6,2017 | | | | | | | | | |
| 1 PL DEC ±0.30 | | ENGINEER: | | | | | | | | | | | |
| 2 PL DEC ±0.15 | | APPROVAL: | Tommy | Nov.6,2017 | | | | | | | | | |
| 3 PL DEC ±0.08 | | CUSTOMER: | | | | | | | | | | | |
| 3) Note reference = Δ | | THIS DRAWING IS SUPPLIED FOR INFORMATION ONLY. DESIGN FEATURES, SPECIFICATIONS AND PERFORMANCE DATA SHOWN HEREON ARE THE PROPERTY OF THE AMPHENOL CORPORATION. NO RIGHTS OF REPRODUCTION ARE IMPLIED. ALL DIMENSIONS ARE SUBJECT TO NORMAL MANUFACTURING VARIATIONS. | | | <table border="1"> <tr> <td>SIZE</td> <td>TYPE</td> <td>DWG NO.</td> <td>REVISION</td> </tr> <tr> <td>B</td> <td>C-</td> <td>MB5CKN0900-Sx-KIT</td> <td>A2</td> </tr> </table> | SIZE | TYPE | DWG NO. | REVISION | B | C- | MB5CKN0900-Sx-KIT | A2 |
| SIZE | TYPE | DWG NO. | REVISION | | | | | | | | | | |
| B | C- | MB5CKN0900-Sx-KIT | A2 | | | | | | | | | | |
| MATERIAL SPECIFICATIONS: | | SCALE: NONE | | | SHEET 1 OF 1 | | | | | | | | |
| PROCESS SPECIFICATIONS: | | | | | | | | | | | | | |
| NEXT ASSY: | | | | | | | | | | | | | |



TITLE: KIT;M23B,PLUG,STR,9POS(4+5),CHECKMATE
DWG NO.: MB5CKN0900-Sx-KIT
REV: A2
SH: 1
OF: 1