

USB Power Manager with High Voltage Switching Charger

FEATURES

- **Seamless Transition Between Power Sources: Li-Ion Battery, USB, and 6V to 36V External Supply**
- **High Efficiency 1.2A Charger from 6V to 36V Input**
- **Load Dependent Charging from USB Input Guarantees Current Compliance**
- **215mΩ Internal Ideal Diode plus Optional External Ideal Diode Controller Provides Low Loss Power Path When External Supply/USB Not Present**
- **Constant-Current/Constant-Voltage Operation with Thermal Feedback to Maximize Charging Rate without Risk of Overheating**
- **Selectable 100% or 20% Current Limit (e.g., 500mA/100mA) from USB Input**
- **Preset 4.1V Charge Voltage with 0.8% Accuracy**
- **C/10 Charge Current Detection Output**
- **NTC Thermistor Input for Temperature Qualified Charging**
- **Tiny (6mm × 3mm × 0.75mm) 22-Pin DFN Package**

APPLICATIONS

- **Portable USB Devices—GPS Receivers, Cameras, MP3 Players, PDAs**

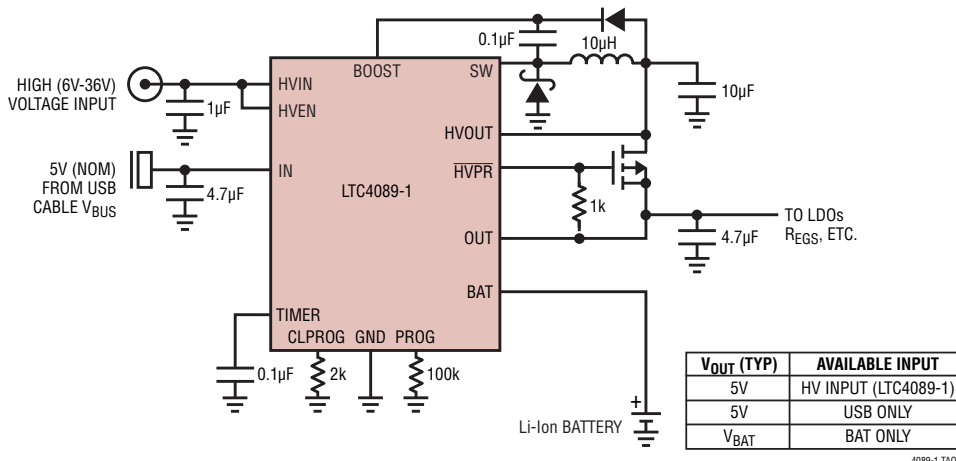
DESCRIPTION

The **LTC[®]4089-1** is a USB power manager plus high voltage Li-Ion battery charger. This device controls the total current used by the USB peripheral for operation and battery charging. Battery charge current is automatically reduced such that the sum of the load current and the charge current does not exceed the programmed input current limit. The LTC4089-1 also accommodates high voltage power supplies, such as 12V AC-DC wall adapters, Firewire, or automotive power.

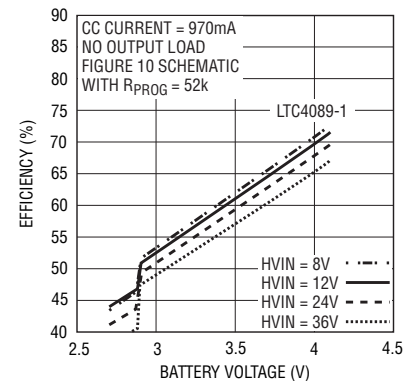
The LTC4089-1 provides a fixed 5V output from the high voltage input to charge single cell Li-Ion batteries. The charge current is programmable and an end-of-charge status output (**CHRG**) indicates full charge. Also featured is programmable total charge time, an NTC thermistor input used to monitor battery temperature while charging and automatic recharging of the battery.

LT, LT, LTC, LTM, Linear Technology and the Linear logo are registered trademarks and PowerPath and ThinSOT are trademarks of Analog Devices, Inc. All other trademarks are the property of their respective owners. Protected by U.S. patents, including 6522118 and 6700364.

TYPICAL APPLICATION



LTC4089-1 High Voltage Battery Charger Efficiency



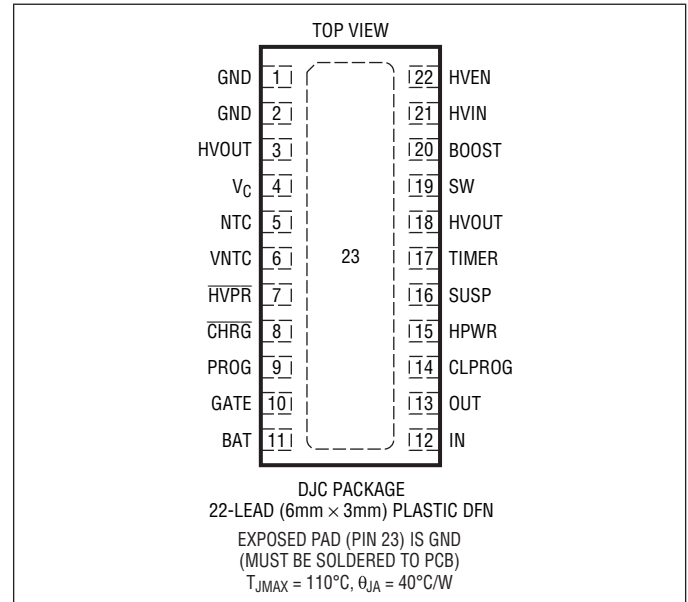
LTC4089-1

ABSOLUTE MAXIMUM RATINGS

(Notes 1, 2, 3, 4, 5)

Terminal Voltage	
BOOST	-0.3V to 50V
BOOST above SW	25V
HVIN, HVEN	-0.3V to 40V
IN, OUT, HVOUT	
$t < 1\text{ms}$ and Duty Cycle $< 1\%$	-0.3V to 7V
DC	-0.3V to 6V
BAT	-0.3V to 6V
NTC, TIMER, PROG, CLPROG	-0.3V to ($V_{CC} + 0.3\text{V}$)
CHRG, HPWR, SUSP, HVPR	-0.3V to 6V
Pin Current, DC	
IN, OUT, BAT (Note 6)	2.5A
Operating Temperature Range	-40°C to 85°C
Maximum Operating Junction Temperature	110°C
Storage Temperature Range	-65°C to 125°C

PIN CONFIGURATION



ORDER INFORMATION <http://www.linear.com/product/LTC4089-1#orderinfo>

LEAD FREE FINISH	TAPE AND REEL	PART MARKING	PACKAGE DESCRIPTION	TEMPERATURE RANGE
LTC4089EDJC-1#PBF	LTC4089EDJC-1#TRPBF	40891	22-Lead (6mm x 3mm) Plastic DFN	-40°C to 85°C

Consult LTC Marketing for parts specified with wider operating temperature ranges.

Consult LTC Marketing for information on non-standard lead based finish parts.

For more information on lead free part marking, go to: <http://www.linear.com/leadfree/>

For more information on tape and reel specifications, go to: <http://www.linear.com/tapeandree/>. Some packages are available in 500 unit reels through designated sales channels with #TRMPBF suffix.

ELECTRICAL CHARACTERISTICS

The ● denotes the specifications which apply over the full operating temperature range, otherwise specifications are at $T_A = 25^\circ\text{C}$. $HVIN = 12\text{V}$, $BOOST = 17\text{V}$, $V_{IN} = 5\text{V}$, $V_{BAT} = 3.7\text{V}$, $HVEN = 12\text{V}$, $HPWR = 5\text{V}$, $R_{PROG} = 100\text{k}$, $R_{CLPROG} = 2\text{k}$, $SUSP = 0\text{V}$, unless otherwise noted.

SYMBOL	PARAMETER	CONDITIONS	MIN	TYP	MAX	UNITS	
USB Input Current Limit							
V_{IN}	USB Input Supply Voltage		● 4.35		5.5	V	
I_{IN}	Input Bias Current	$I_{BAT} = 0$ (Note 7) Suspend Mode; $SUSP = 5\text{V}$	●	0.5 50	1 100	mA μA	
I_{LIM}	Current Limit	$R_{CLPROG} = 2\text{k}$, $HPWR = 5\text{V}$ $R_{CLPROG} = 2\text{k}$, $HPWR = 0\text{V}$	● ●	475 90	500 100	525 110	mA mA
$I_{IN(MAX)}$	Maximum Input Current Limit	(Note 8)		2.4		A	
R_{ON}	ON Resistance V_{IN} to V_{OUT}	$I_{OUT} = 80\text{mA}$ Load		0.215		Ω	
V_{CLPROG}	CLPROG Pin Voltage	$R_{CLPROG} = 2\text{k}$ $R_{CLPROG} = 1\text{k}$	● ●	0.98 0.98	1.00 1.00	1.02 1.02	V V
I_{SS}	Soft-Start Inrush Current			5		mA/μs	
V_{CLEN}	Input Current Limit Enable Threshold Voltage ($V_{IN} - V_{OUT}$)	($V_{IN} - V_{OUT}$) Rising ($V_{IN} - V_{OUT}$) Falling		20 -80	50 -50	80 -20	mV mV

40891fb

ELECTRICAL CHARACTERISTICS The ● denotes the specifications which apply over the full operating temperature range, otherwise specifications are at $T_A = 25^\circ\text{C}$. $\text{HVIN} = 12\text{V}$, $\text{BOOST} = 17\text{V}$, $\text{VIN} = 5\text{V}$, $\text{VBAT} = 3.7\text{V}$, $\text{HVEN} = 12\text{V}$, $\text{HPWR} = 5\text{V}$, $\text{R}_{\text{PROG}} = 100\text{k}$, $\text{R}_{\text{CLPROG}} = 2\text{k}$, $\text{SUSP} = 0\text{V}$, unless otherwise noted.

SYMBOL	PARAMETER	CONDITIONS	MIN	TYP	MAX	UNITS	
V_{UVLO}	Input Undervoltage Lockout	V_{IN} Powers Part, Rising Threshold	● 3.6	3.8	4	V	
dV_{UVLO}	Input Undervoltage Lockout Hysteresis	V_{IN} Rising – V_{IN} Falling		130		mV	
High Voltage Regulator							
V_{HVIN}	HVIN Supply Voltage		6		36	V	
I_{HVIN}	HVIN Bias Current	Not Switching Shutdown; $\text{HVEN} = 0\text{V}$		1.9 0.01	2.5 2	mA μA	
V_{OUT}	Output Voltage with HVIN Present	Assumes HVOUT to OUT Connection	● 4.85	5	5.15	V	
V_{HUVLO}	High Voltage Input Undervoltage Lockout	V_{HVIN} Rising		4.7	5	V	
f_{SW}	Switching Frequency	$V_{\text{HVOUT}} > 3.95\text{V}$ $V_{\text{HVOUT}} = 0\text{V}$		685 750 35	815	kHz kHz	
DC_{MAX}	Maximum Duty Cycle		● 88	95		%	
$I_{\text{SW(MAX)}}$	Switch Current Limit	(Note 9)		1.5	1.95	2.3	A
V_{SAT}	Switch V_{CESAT}	$I_{\text{SW}} = 1\text{A}$		330		mV	
I_{LK}	Switch Leakage Current				2	μA	
V_{SWD}	Minimum Boost Voltage Above SW	$I_{\text{SW}} = 1\text{A}$		1.85	2.2	V	
I_{BST}	BOOST Pin Current	$I_{\text{SW}} = 1\text{A}$		30	50	mA	
Battery Management							
V_{BAT}	Input Voltage	BAT			4.3	V	
I_{BAT}	Battery Drain Current	$V_{\text{BAT}} = 4.3\text{V}$, Charging Stopped Suspend Mode; $\text{SUSP} = 5\text{V}$ $V_{\text{HVIN}} = V_{\text{IN}} = 0\text{V}$, BAT Powers OUT, No Load	● ● ●	15 22 60	27 35 100	μA μA μA	
V_{FLOAT}	Regulated Output Voltage	$I_{\text{BAT}} = 2\text{mA}$ $I_{\text{BAT}} = 2\text{mA}$; ($0^\circ\text{C} - 85^\circ\text{C}$)		4.066 4.059	4.100 4.100	4.134 4.141	V V
I_{CHG}	Current Mode Charge Current	$\text{R}_{\text{PROG}} = 100\text{k}$, No Load $\text{R}_{\text{PROG}} = 50\text{k}$, No Load; ($0^\circ\text{C} - 85^\circ\text{C}$)	●	465 900	500 1000	535 1080	mA mA
$I_{\text{CHG(MAX)}}$	Maximum Charge Current	(Note 8)		1.2		A	
V_{PROG}	PROG Pin Voltage	$\text{R}_{\text{PROG}} = 100\text{k}$ $\text{R}_{\text{PROG}} = 50\text{k}$	● ●	0.98 0.98	1.00 1.00	1.02 1.02	V V
k_{EOC}	Ratio of End-of-Charge Current to Charge Current	$V_{\text{BAT}} = V_{\text{FLOAT}} (4.1\text{V})$	●	0.085	0.1	0.11	mA/mA
I_{TRIKL}	Trickle Charge Current	$V_{\text{BAT}} = 2\text{V}$, $\text{R}_{\text{PROG}} = 100\text{k}$		35	50	60	mA
V_{TRIKL}	Trickle Charge Threshold Voltage		●	2.75	2.9	3	V
V_{CEN}	Charger Enable Threshold Voltage	$(V_{\text{OUT}} - V_{\text{BAT}})$ Falling; $V_{\text{BAT}} = 4\text{V}$ $(V_{\text{OUT}} - V_{\text{BAT}})$ Rising; $V_{\text{BAT}} = 4\text{V}$			55 80		mV mV
V_{RECHRG}	Recharge Battery Threshold Voltage	$V_{\text{FLOAT}} - V_{\text{RECHRG}}$	●	65	100	135	mV
t_{TIMER}	TIMER Accuracy	$V_{\text{BAT}} = 4.3\text{V}$		-10		10	%
	Recharge Time	Percent of Total Charge Time			50		%
	Low Battery Trickle Charge Time	Percent of Total Charge Time, $V_{\text{BAT}} < 2.8\text{V}$			25		%
T_{LIM}	Junction Temperature in Constant Temperature Mode			105			$^\circ\text{C}$

ELECTRICAL CHARACTERISTICS

The ● denotes the specifications which apply over the full operating temperature range, otherwise specifications are at $T_A = 25^\circ\text{C}$. $\text{HVIN} = 12\text{V}$, $\text{BOOST} = 17\text{V}$, $\text{VIN} = 5\text{V}$, $\text{VBAT} = 3.7\text{V}$, $\text{HVEN} = 12\text{V}$, $\text{HPWR} = 5\text{V}$, $\text{R}_{\text{PROG}} = 100\text{k}$, $\text{R}_{\text{CLPROG}} = 2\text{k}$, $\text{SUSP} = 0\text{V}$, unless otherwise noted.

SYMBOL	PARAMETER	CONDITIONS	MIN	TYP	MAX	UNITS	
Internal Ideal Diode							
R_{FWD}	Incremental Resistance, V_{ON} Regulation	$\text{I}_{\text{BAT}} = 100\text{mA}$		125		$\text{m}\Omega$	
$\text{R}_{\text{DIO,ON}}$	ON Resistance V_{BAT} to V_{OUT}	$\text{I}_{\text{BAT}} = 600\text{mA}$		215		$\text{m}\Omega$	
V_{FWD}	Voltage Forward Drop ($\text{V}_{\text{BAT}} - \text{V}_{\text{OUT}}$)	$\text{I}_{\text{BAT}} = 5\text{mA}$ $\text{I}_{\text{BAT}} = 100\text{mA}$ $\text{I}_{\text{BAT}} = 600\text{mA}$	● 10	30 55 160	50	mV mV mV	
V_{OFF}	Diode Disable Battery Voltage			2.8		V	
I_{FWD}	Load Current Limit, for V_{ON} Regulation			550		mA	
$\text{I}_{\text{D(MAX)}}$	Diode Current Limit			2.2		A	
External Ideal Diode							
$\text{V}_{\text{FWD, EXT}}$	External Diode Forward Voltage			20		mV	
Logic							
V_{OL}	Output Low Voltage (CHRG, HVPR)	$\text{I}_{\text{SINK}} = 5\text{mA}$	●	0.1	0.4	V	
V_{IH}	Input High Voltage	HVEN, SUSP, HPWR Pin Low to High		2.3		V	
V_{IL}	Input Low Voltage	HVEN, SUSP, HPWR Pin High to Low			0.3	V	
I_{PULLDN}	Logic Input Pull Down Current	SUSP, HPWR		2		μA	
I_{HVEN}	HVEN Pin Bias Current	$\text{V}_{\text{HVEN}} = 2.3\text{V}$ $\text{V}_{\text{HVEN}} = 0\text{V}$		6 0.01	20 0.1	μA μA	
$\text{V}_{\text{CHG,SD}}$	Charger Shutdown Threshold Voltage on TIMER		● 0.14		0.4	V	
$\text{I}_{\text{CHG,SD}}$	Charger Shutdown Pull-Up Current on TIMER	$\text{V}_{\text{TIMER}} = 0\text{V}$	●	5	14	μA	
NTC							
I_{VNTC}	VNTC Pin Current	$\text{V}_{\text{VNTC}} = 2.5\text{V}$		1.4	2.5	3.5	mA
V_{VNTC}	VNTC Bias Voltage	$\text{I}_{\text{VNTC}} = 500\mu\text{A}$	●	4.4	4.85		V
I_{NTC}	NTC Input Leakage Current	$\text{V}_{\text{NTC}} = 1\text{V}$		0	± 1		μA
V_{COLD}	Cold Temperature Fault Threshold Voltage	Rising Threshold Hysteresis		$0.738 \cdot \text{V}_{\text{VNTC}}$ $0.018 \cdot \text{V}_{\text{VNTC}}$		V V	
V_{HOT}	Hot Temperature Fault Threshold Voltage	Falling Threshold Hysteresis		$0.326 \cdot \text{V}_{\text{VNTC}}$ $0.015 \cdot \text{V}_{\text{VNTC}}$		V V	
V_{DIS}	NTC Disable Voltage	NTC Input Voltage to GND (Falling) Hysteresis	●	75	100 35	125	mV mV

Note 1: Stresses beyond those listed under Absolute Maximum Ratings may cause permanent damage to the device. Exposure to any Absolute Maximum Rating condition for extended periods may affect device reliability and lifetime.

Note 2: V_{CC} is the greater of V_{IN} , V_{OUT} or V_{BAT}

Note 3: All voltage values are with respect to GND.

Note 4: This IC includes over-temperature protection that is intended to protect the device during momentary overload conditions. Junction temperatures will exceed 110°C when over-temperature protection is active. Continuous operation above the specified maximum operating junction temperature may result in device degradation or failure.

Note 5: The LTC4089-1 is guaranteed to meet specified performance from 0°C to 85°C and are designed, characterized and expected to meet these extended temperature limits, but is not tested at -40°C and 85°C .

Note 6: Guaranteed by long term current density limitations.

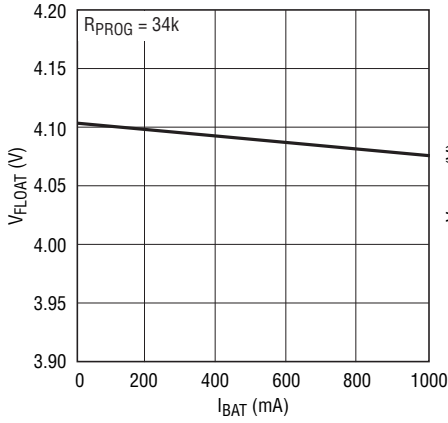
Note 7: Total input current is equal to this specification plus $1.002 \cdot \text{I}_{\text{BAT}}$ where I_{BAT} is the charge current.

Note 8: Accuracy of programmed current may degrade for currents greater than 1.5A.

Note 9: Current limit guaranteed by design and/or correlation to static test. Slope compensation reduces current limit at high duty cycle.

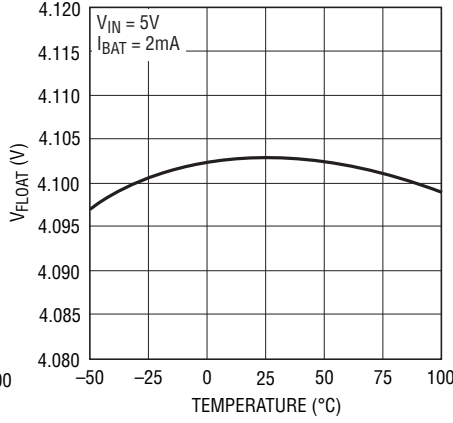
TYPICAL PERFORMANCE CHARACTERISTICS $T_A = 25^\circ\text{C}$, unless otherwise specified.

V_{FLOAT} Load Regulation



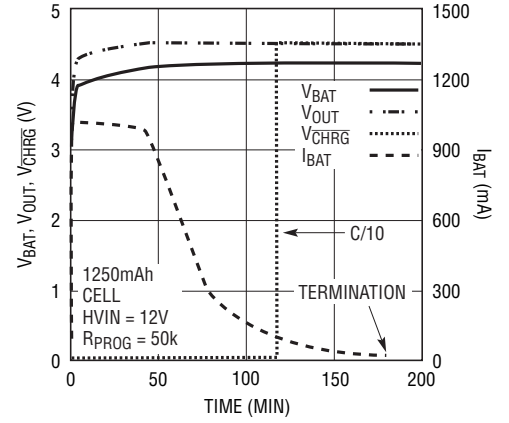
4089-1 G01

Battery Regulation (Float) Voltage vs Temperature



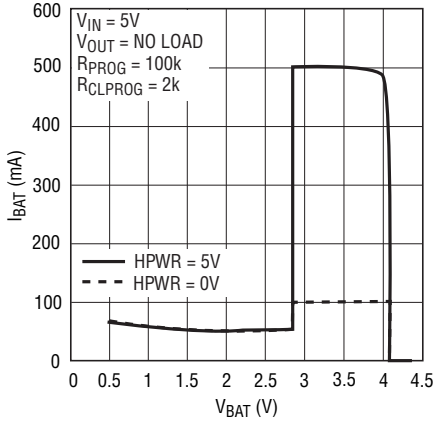
4089-1 G02

Battery Current and Voltage vs Time



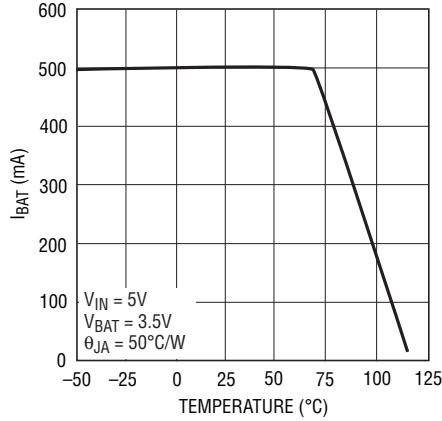
4089-1 G03

Charging from USB, I_{BAT} vs V_{BAT}



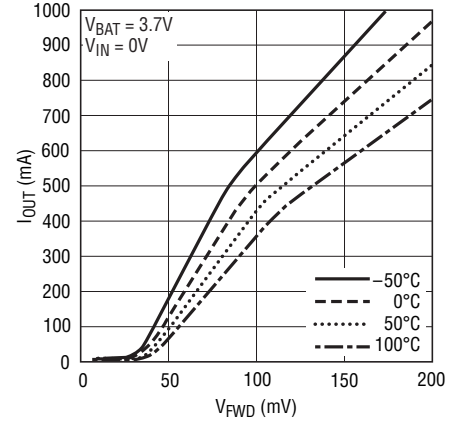
4089-1 G04

Charge Current vs Temperature (Thermal Regulation)



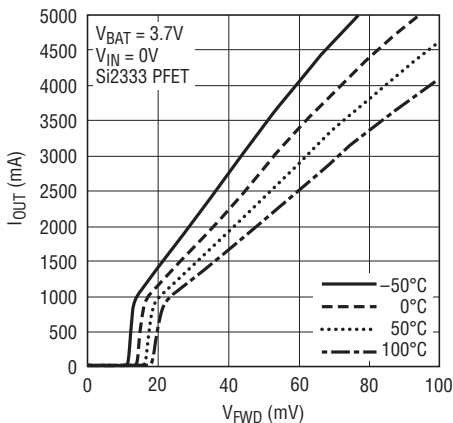
4089-1 G05

Ideal Diode Current vs Forward Voltage and Temperature (No External Device)



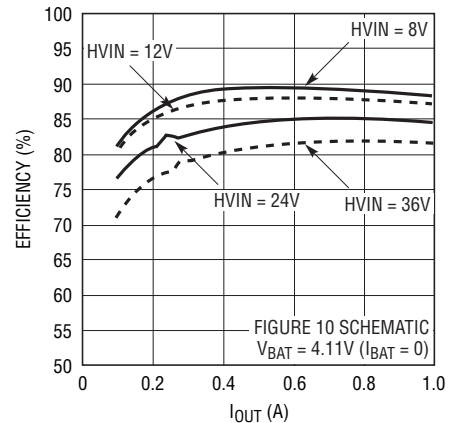
4089-1 G06

Ideal Diode Current vs Forward Voltage and Temperature with External Device



4089-1 G07

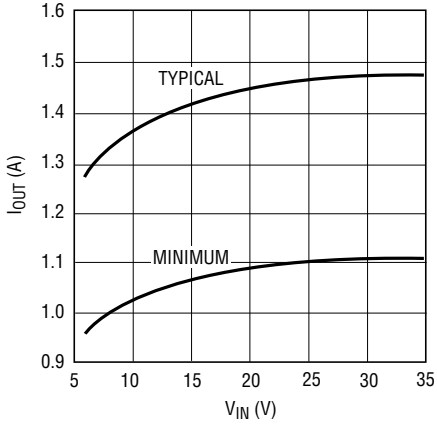
High Voltage Regulator Efficiency vs Output Load



4089-1 G09

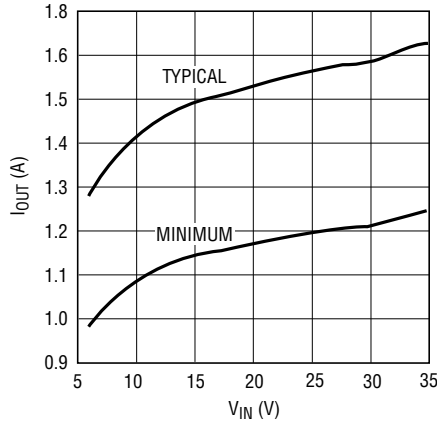
TYPICAL PERFORMANCE CHARACTERISTICS $T_A = 25^\circ\text{C}$, unless otherwise specified.

**High Voltage Regulator
Maximum Load Current, $L = 10\mu\text{H}$**



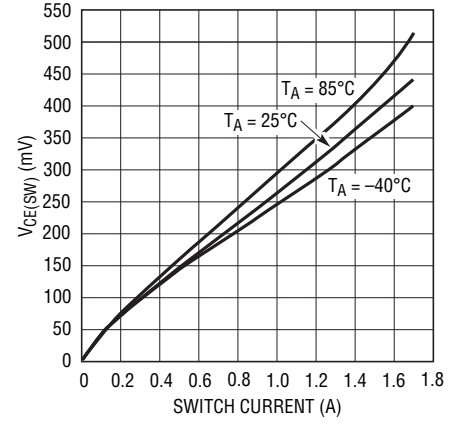
4089-1 G10

**High Voltage Regulator
Maximum Load Current, $L = 33\mu\text{H}$**



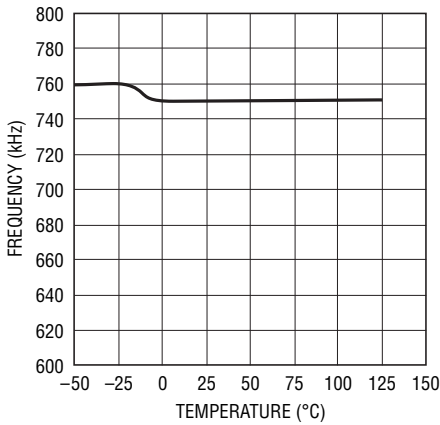
4089-1 G11

**High Voltage Regulator
Switch Voltage Drop**



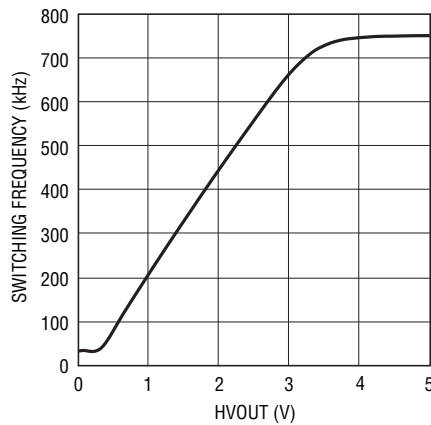
4089-1 G12

**High Voltage Regulator
Switch Frequency**



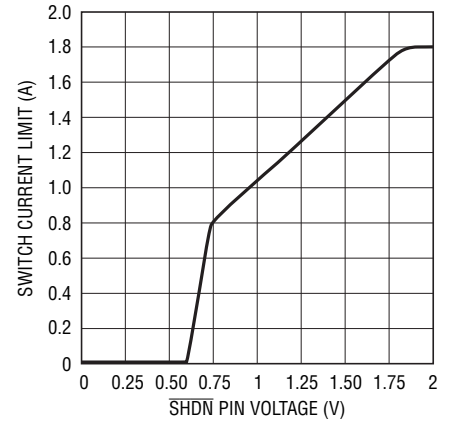
4089-1 G13

**High Voltage Regulator
Frequency Foldback**



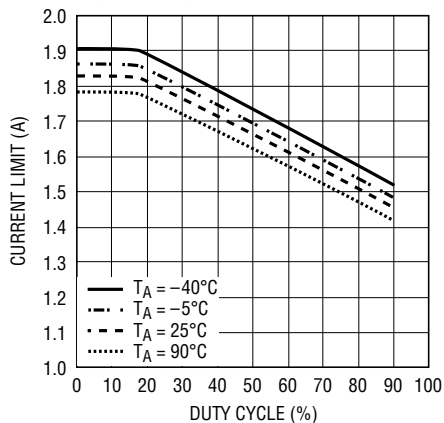
4089-1 G14

**High Voltage Regulator
Soft-Start**



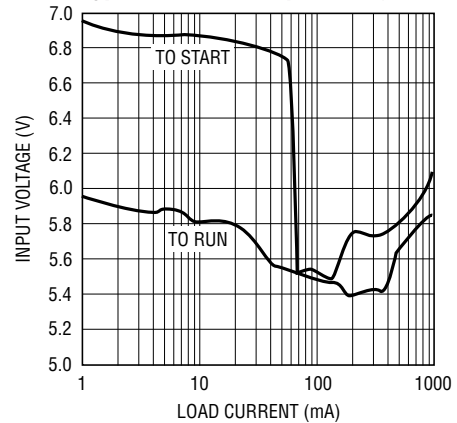
4089-1 G15

High Voltage Switch Current Limit



4089-1 G16

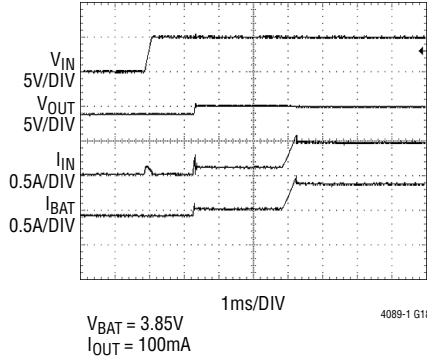
**High Voltage Regulator
Typical Minimum Input Voltage**



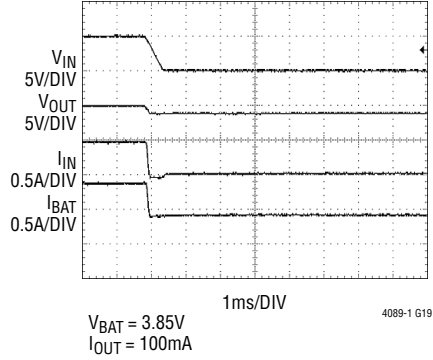
4089-1 G17

TYPICAL PERFORMANCE CHARACTERISTICS $T_A = 25^\circ\text{C}$, unless otherwise specified.

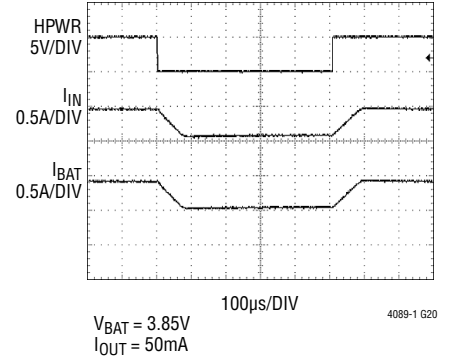
Input Connect Waveforms



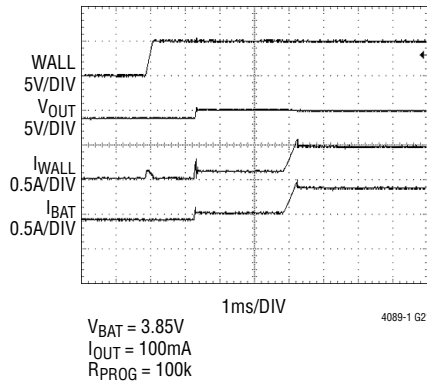
Input Disconnect Waveforms



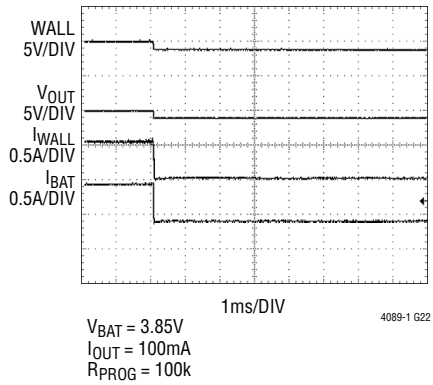
Response to HPWR



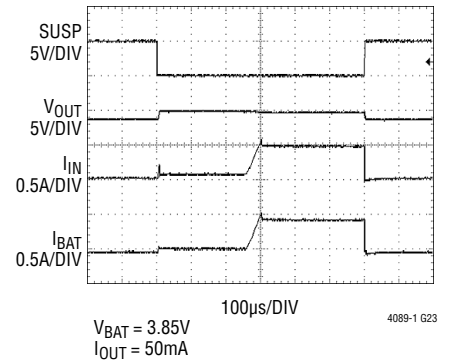
Wall Connect Waveforms



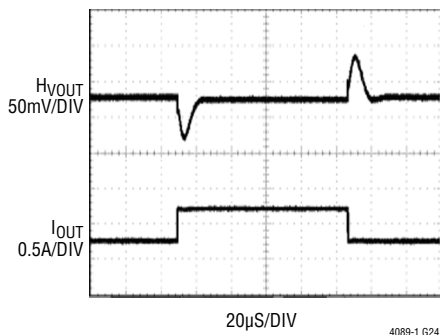
Wall Disconnect Waveforms



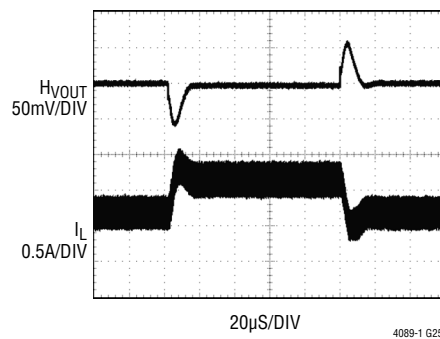
Response to Suspend



High Voltage Regulator Load Transient



High Voltage Regulator Load Transient



PIN FUNCTIONS

GND (Pins 1, 2): Ground. Tie the GND pin to a local ground plane below the LTC4089-1 and the circuit components.

HVOUT (Pins 3, 18): Voltage Output of the High Voltage Regulator. When sufficient voltage is present at HVOUT, the low voltage power path from IN to OUT will be disconnected and the $\overline{\text{HVPR}}$ pin will be pulled low to indicate that a high voltage wall adapter has been detected. The LTC4089-1 high voltage regulator will provide a fixed 5V output to the battery charger MOSFET. HVOUT should be bypassed with at least 10 μ F to GND. **Connect pins 3 and 18 with a resistance no greater than 1 Ω .**

V_C (Pin 4): Leave the V_C pin floating or bypass to ground with a 10pF capacitor. This optional 10pF capacitor reduces HVOUT ripple in discontinuous mode.

NTC (Pin 5): Input to the NTC Thermistor Monitoring Circuits. The NTC pin connects to a negative temperature coefficient thermistor which is typically co-packaged with the battery pack to determine if the battery is too hot or too cold to charge. If the battery's temperature is out of range, charging is paused until the battery temperature re-enters the valid range. A low drift bias resistor is required from V_{NTC} to NTC and a thermistor is required from NTC to ground. If the NTC function is not desired, the NTC pin should be grounded.

VNTC (Pin 6): Output Bias Voltage for NTC. A resistor from this pin to the NTC pin will bias the NTC thermistor.

$\overline{\text{HVPR}}$ (Pin 7): High Voltage Present Output. Active low open drain output pin. A low on this pin indicates that the high voltage regulator has sufficient voltage to charge the battery. This feature is disabled if no power is present on HVIN, IN or BAT (i.e., below UVLO thresholds).

$\overline{\text{CHRG}}$ (Pin 8): Open-Drain Charge Status Output. When the battery is being charged, the $\overline{\text{CHRG}}$ pin is pulled low by an internal N-channel MOSFET. When the timer runs out or the charge current drops below 10% of the programmed charge current or the input supply is removed, the $\overline{\text{CHRG}}$ pin is forced to a high impedance state.

PROG (Pin 9): Charge Current Program. Connecting a resistor, R_{PROG}, to ground programs the battery charge current. The battery charge current is programmed as follows:

$$I_{\text{CHG}}(\text{A}) = \frac{50,000\text{V}}{R_{\text{PROG}}}$$

GATE (Pin 10): External ideal diode gate pin. This pin can be used to drive the gate of an optional external PFET connected between BAT (drain) and OUT (source). By doing so, the impedance of the ideal diode between BAT and OUT can be reduced. When not in use, this pin should be left floating. It is important to maintain a high impedance on this pin and minimize all leakage paths.

BAT (Pin 11): Connect to a single cell Li-Ion battery. This pin is used as an output when charging the battery and as an input when supplying power to OUT. When the OUT pin potential drops below the BAT pin potential, an ideal diode function connects BAT to OUT and prevents V_{OUT} from dropping more than 100mV below V_{BAT}. A precision internal resistor divider sets the final float (charging) potential on this pin. The internal resistor divider is disconnected when IN and HVIN are in undervoltage lockout.

IN (Pin 12): Input Supply. Connect to USB supply, V_{BUS}. Input current to this pin is limited to either 20% or 100% of the current programmed by the CLPROG pin as determined by the state of the HPWR pin. Charge current (to the BAT pin) supplied through the input is set to the current programmed by the PROG pin but will be limited by the input current limit if charge current is set greater than the input current limit.

OUT (Pin 13): Voltage Output. This pin is used to provide controlled power to a USB device from either USB V_{BUS} (IN), an external high voltage supply (HVIN), or the battery (BAT) when no other supply is present. The high voltage supply is prioritized over the USB V_{BUS} input. OUT should be bypassed with at least 4.7 μ F to GND.

PIN FUNCTIONS

CLPROG (Pin 14): Current Limit Program and Input Current Monitor. Connecting a resistor, R_{CLPROG} , to ground programs the input to output current limit. The current limit is programmed as follows:

$$I_{CL}(A) = \frac{1000V}{R_{CLPROG}}$$

In USB applications, the resistor R_{CLPROG} should be set to no less than 2.1k. The voltage on the CLPROG pin is always proportional to the current flowing through the IN to OUT power path. This current can be calculated as follows:

$$I_{IN}(A) = \frac{V_{CLPROG}}{R_{CLPROG}} \cdot 1000$$

HPWR (Pin 15): High Power Select. This logic input is used to control the input current limit. A voltage greater than 2.3V on the pin will set the input current limit to 100% of the current programmed by the CLPROG pin. A voltage less than 0.3V on the pin will set the input current limit to 20% of the current programmed by the CLPROG pin. A 2 μ A pull-down current is internally connected to this pin to ensure it is low at power up when the pin is not being driven externally.

SUSP (Pin 16): Suspend Mode Input. Pulling this pin above 2.3V will disable the power path from IN to OUT. The supply current from IN will be reduced to comply with the USB specification for suspend mode. Both the ability to charge the battery from HVIN and the ideal diode function (from BAT to OUT) will remain active. Suspend mode will reset the charge timer if V_{OUT} is less than V_{BAT} while in suspend mode. If V_{OUT} is kept greater than V_{BAT} , such as when the high voltage input is present, the charge timer will not be reset when the part is put in suspend. A 2 μ A pull-down current is internally applied to this pin to ensure it is low at power-up when the pin is not being driven externally.

TIMER (Pin 17): Timer Capacitor. Placing a capacitor, C_{TIMER} , to GND sets the timer period. The timer period is:

$$t_{TIMER}(\text{hours}) = \frac{C_{TIMER} \cdot R_{PROG} \cdot 3\text{hours}}{0.1\mu F \cdot 100k}$$

Charge time is increased if charge current is reduced due to undervoltage current limit, load current, thermal regulation and current limit selection (HPWR).

Shorting the TIMER pin to GND disables the battery charging functions.

SW (Pin 19): The SW pin is the output of the internal high voltage power switch. Connect this pin to the inductor, catch diode and boost capacitor.

BOOST (Pin 20): The BOOST pin is used to provide a drive voltage, higher than the input voltage, to the internal bipolar NPN power switch.

HVIN (Pin 21): The HVIN pin supplies current to the internal high voltage regulator and to the internal high voltage power switch. The presence of a high voltage input takes priority over the USB V_{BUS} input (i.e., when a high voltage input supply is detected, the USB IN to OUT path is disconnected). This pin must be locally bypassed.

HVEN (Pin 22): The HVEN pin is used to disable the high voltage input path. Tie to ground to disable the high voltage input or tie to at least 2.3V to enable the high voltage path. If this feature is not used, tie to the HVIN pin. This pin can also be used to soft-start the high voltage regulator; see the Applications Information section.

EXPOSED PAD (Pin 23): Ground. The exposed package pad is ground and must be soldered to the PC board for proper functionality and for maximum heat transfer (use several vias directly under the LTC4089-1).

OPERATION (Refer to Block Diagram)

The LTC4089-1 is a complete PowerPath™ controller for battery powered USB applications. The LTC4089-1 is designed to receive power from a low voltage source (e.g., USB or 5V wall adapter), a high voltage source (e.g., Firewire/IEEE1394, automotive battery, 12V wall adapter, etc.), and a single-cell Li-Ion battery. It can then deliver power to an application connected to the OUT pin and a battery connected to the BAT pin (assuming that an external supply other than the battery is present). Power supplies that have limited current resources (such as USB V_{BUS} supplies) should be connected to the IN pin which has a programmable current limit. Battery charge current will be adjusted to ensure that the sum of the charge current and load current does not exceed the programmed input current limit (see Figure 1).

An ideal diode function provides power from the battery when output / load current exceeds the input current limit or when input power is removed. Powering the load through the ideal diode instead of connecting the load directly to the battery allows a fully charged battery to remain fully charged until external power is removed. Once external power is removed the output drops until the ideal diode is forward biased. The forward biased ideal diode will then provide the output power to the load from the battery.

The LTC4089-1 also includes a high voltage switching regulator which has the ability to receive power from a high voltage input. This input takes priority over the USB V_{BUS} input (i.e., if both HVIN and IN are present, load

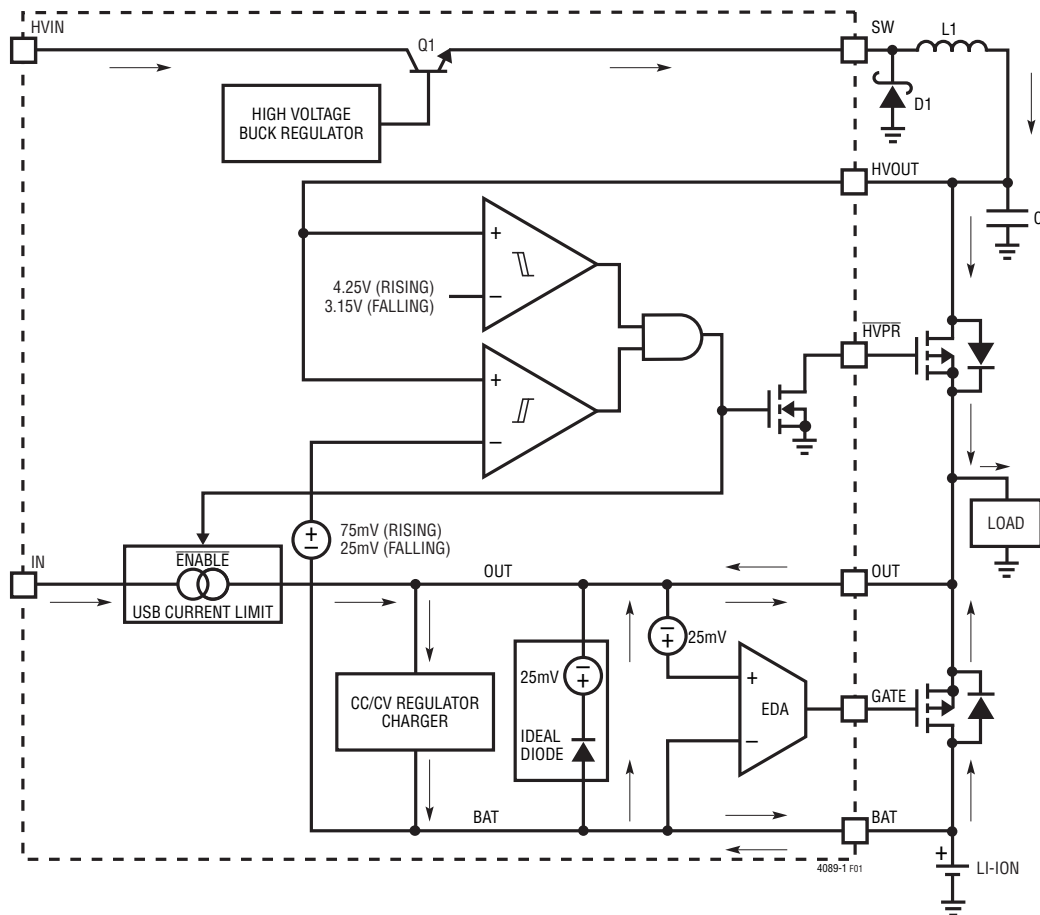


Figure 1. Simplified PowerPath Block Diagram

OPERATION

current and charge current will be delivered via the high voltage path). When enabled, the high voltage regulator regulates the HVOUT voltage using a 750kHz constant frequency, current mode regulator. An external PFET between HVOUT (drain) and OUT (source) is turned on via the HVPR pin allowing OUT to charge the battery and/or supply power to the application. The LTC4089-1 provides a fixed 5V output.

Input Current Limit

Whenever the input power path is enabled (i.e., SUSP = 0V and HVIN = 0V) and power is available at IN, power is delivered to OUT. The current limit and charger control circuits of the LTC4089-1 are designed to limit input current as well as control battery charge current as a function of I_{OUT}. The input current limit, I_{CL}, can be programmed using the following formula:

$$I_{CL} = \frac{1000}{R_{CLPROG}} \cdot V_{CLPROG} = \frac{1000V}{R_{CLPROG}}$$

where V_{CLPROG} is the CLPROG pin voltage (typically 1V) and R_{CLPROG} is the total resistance from the CLPROG pin to ground. For best stability over temperature and time, 1% metal film resistors are recommended.

The programmed battery charge current, I_{CHG}, is defined as:

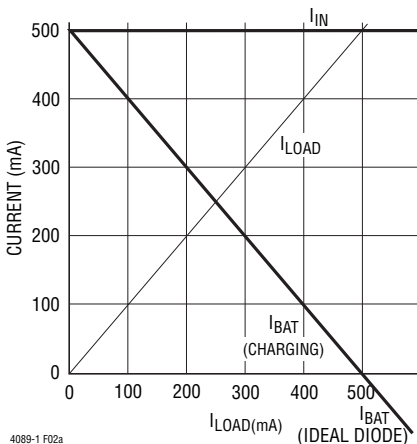
$$I_{CHG} = \frac{50,000}{R_{PROG}} \cdot V_{PROG} = \frac{50,000V}{R_{PROG}}$$

Input current, I_{IN}, is equal to the sum of the BAT pin output current and the OUT pin output current. V_{CLPROG} will typically servo to 1V, however, if I_{OUT} + I_{BAT} < I_{CL} then V_{CLPROG} will track the input current according to the following equation:

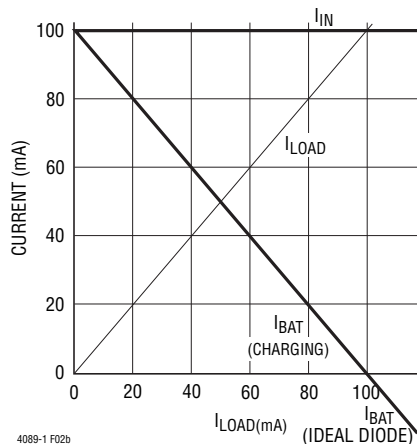
$$I_{IN} = I_{OUT} + I_{BAT} = \frac{V_{CLPROG}}{R_{CLPROG}} \cdot 1000$$

The current limiting circuitry in the LTC4089-1 can and should be configured to limit current to 500mA for USB applications (selectable using the HPWR pin and programmed using the CLPROG pin).

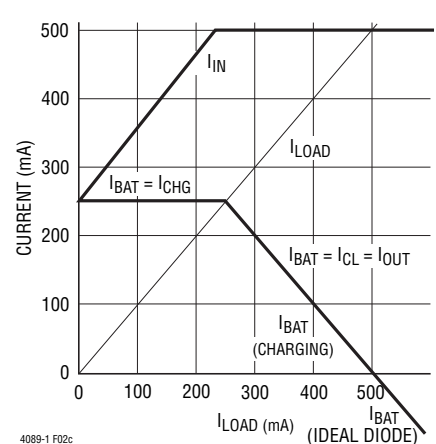
The LTC4089-1 reduces battery charge current such that the sum of the battery charge current and the load current does not exceed the programmed input current limit (one-fifth of the programmed input current limit when HPWR is low, see Figure 2). The battery charge current goes to zero when load current exceeds the programmed input current



(a) High Power Mode/Full Charge
R_{PROG} = 100k and R_{CLPROG} = 2k



(b) Low Power Mode/Full Charge
R_{PROG} = 100k and R_{CLPROG} = 2k



(c) High Power Mode with
I_{CL} = 500mA and I_{CHG} = 250mA
R_{PROG} = 200k and R_{CLPROG} = 2k

Figure 2. Input and Battery Currents as a Function of Load Current

OPERATION

limit (one-fifth of the limit when HPWR is low). Even if the battery charge current is set to exceed the allowable USB current, the USB specification will not be violated. The battery charger will reduce its current as needed to ensure that the USB specification is not exceeded. If the load current is greater than the current limit, the output voltage will drop to just under the battery voltage where the ideal diode circuit will take over and the excess load current will be drawn from the battery.

In USB applications, the minimum value for R_{CLPROG} should be 2.1k. This will prevent the input current from exceeding 500mA due to LTC4089-1 tolerances and quiescent currents. A 2.1k CLPROG resistor will give a typical current limit of 476mA in high power mode (HPWR = 1) or 95mA in low power mode (HPWR = 0).

When SUSP is driven to a logic high, the input power path is disabled and the ideal diode from BAT to OUT will supply power to the application.

High Voltage Step Down Regulator

The power delivered from HVIN to HVOUT is controlled by a 750kHz constant frequency, current mode step down regulator. An external P-channel MOSFET directs this power to OUT and prevents reverse conduction from OUT to HVOUT (and ultimately HVIN).

A 750kHz oscillator enables an RS flip-flop, turning on the internal 1.95A power switch Q1. An amplifier and comparator monitor the current flowing between the HVIN and SW pins, turning the switch off when this current reaches a level determined by the voltage at V_C . An error amplifier servos the V_C node to maintain 5V at HVOUT. An active clamp on the V_C node provides current limit. The V_C node is also clamped to the voltage on the HVEN pin; soft-start is implemented by a voltage ramp at the HVEN pin using an external resistor and capacitor.

An internal regulator provides power to the control circuitry. This regulator includes an undervoltage lockout to prevent switching when HVIN is less than about 4.7V. The HVEN pin is used to disable the high voltage regulator. HVIN input current is reduced to less than 2 μ A and the external P-channel MOSFET disconnects HVOUT from OUT when the high voltage regulator is disabled.

The switch driver operates from either the high voltage input or from the BOOST pin. An external capacitor and diode are used to generate a voltage at the BOOST pin that is higher than the input supply. This allows the driver to fully saturate the internal bipolar NPN power switch for efficient operation.

When HVOUT is below 3.95V the operating frequency is reduced. This frequency foldback helps to control the regulator output current during start-up and overload.

Ideal Diode from BAT to OUT

The LTC4089-1 has an internal ideal diode as well as a controller for an optional external ideal diode. If a battery is the only power supply available, or if the load current exceeds the programmed input current limit, then the battery will automatically deliver power to the load via an ideal diode circuit between the BAT and OUT pins. The ideal diode circuit (along with the recommended 4.7 μ F capacitor on the OUT pin) allows the LTC4089-1 to handle large transient loads and wall adapter or USB V_{BUS} connect/disconnect scenarios without the need for large bulk capacitors. The ideal diode responds within a few microseconds and prevents the OUT pin voltage from dropping significantly below the BAT pin voltage. A comparison of the I-V curve of the ideal diode and a Schottky diode can be seen in Figure 3.

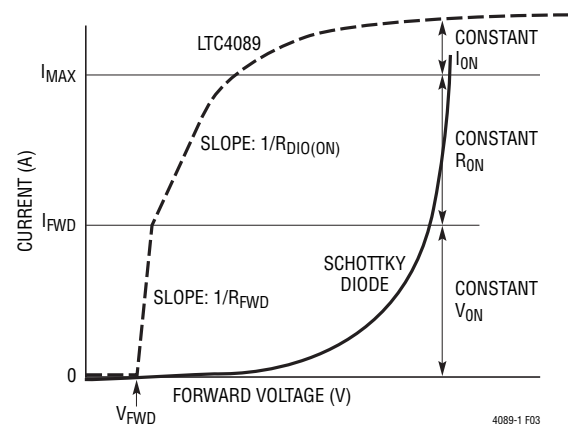


Figure 3. LTC4089-1 Versus Schottky Diode Forward Voltage Drop

OPERATION

If the input current increases beyond the programmed input current limit additional current will be drawn from the battery via the internal ideal diode. Furthermore, if power to IN (USB V_{BUS}) or HVIN (high voltage input) is removed, then all of the application power will be provided by the battery via the ideal diode. A 4.7 μ F capacitor at OUT is sufficient to keep a transition from input power to battery power from causing significant output voltage droop. The ideal diode consists of a precision amplifier that enables a large P-channel MOSFET transistor whenever the voltage at OUT is approximately 20mV (V_{FWD}) below the voltage at BAT. The resistance of the internal ideal diode is approximately 200m Ω . If this is sufficient for the application then no external components are necessary. However, if more conductance is needed, an external P-channel MOSFET can be added from BAT to OUT. The GATE pin of the LTC4089-1 drives the gate of the PFET for automatic ideal diode control. The source of the external MOSFET should be connected to OUT and the drain should be connected to BAT. In order to help protect the external MOSFET in over-current situations, it should be placed in close thermal contact to the LTC4089-1.

Battery Charger

The battery charger circuits of the LTC4089-1 are designed for charging single cell lithium-ion batteries. Featuring an internal P-channel power MOSFET, the charger uses a constant-current/constant-voltage charge algorithm with programmable current and a programmable timer for charge termination. Charge current can be programmed up to 1.2A. The final float voltage accuracy is $\pm 0.8\%$ typical. No blocking diode or sense resistor is required when powering either the IN or the HVIN pins. The \overline{CHRG} open-drain status output provides information regarding the charging status of the LTC4089-1 at all times. An NTC input provides the option of charge qualification using battery temperature.

An internal thermal limit reduces the programmed charge current if the die temperature attempts to rise above a pre-set value of approximately 115°C. This feature protects the LTC4089-1 from excessive temperature, and allows the user to push the limits of the power handling capability of a given circuit board without risk of damaging the LTC4089-1. Another benefit of the LTC4089-1 thermal limit is that charge current can be set according to typical, not worst-case, ambient temperatures for a given application with the assurance that the charger will automatically reduce the current in worst-case conditions.

The charge cycle begins when the voltage at the OUT pin rises above the battery voltage and the battery voltage is below the recharge threshold. No charge current actually flows until the OUT voltage is 100mV above the BAT voltage. At the beginning of the charge cycle, if the battery voltage is below 2.8V, the charger goes into trickle charge mode to bring the cell voltage up to a safe level for charging. The charger goes into the fast charge constant-current mode once the voltage on the BAT pin rises above 2.8V. In constant current mode, the charge current is set by R_{PROG} . When the battery approaches the final float voltage, the charge current begins to decrease as the LTC4089-1 switches to constant-voltage mode. When the charge current drops below 10% of the programmed charge current while in constant-voltage mode the \overline{CHRG} pin assumes a high impedance state.

An external capacitor on the TIMER pin sets the total minimum charge time. When this time elapses the charge cycle terminates and the \overline{CHRG} pin assumes a high impedance state, if it has not already done so. While charging in constant current mode, if the charge current is decreased by thermal regulation or in order to maintain the programmed input current limit the charge time is automatically increased. In other words, the charge time is extended inversely proportional to the actual charge current delivered to the battery. For Li-Ion and similar batteries that require accurate final float potential, the internal bandgap reference, voltage amplifier and the resistor divider provide regulation with $\pm 0.8\%$ accuracy.

OPERATION

Trickle Charge and Defective Battery Detection

At the beginning of a charge cycle, if the battery voltage is low (below 2.8V) the charger goes into trickle charge reducing the charge current to 10% of the full-scale current. If the low battery voltage persists for one quarter of the total charge time, the battery is assumed to be defective, the charge cycle is terminated and the $\overline{\text{CHRG}}$ pin output assumes a high impedance state. If for any reason the battery voltage rises above $\sim 2.8\text{V}$ the charge cycle will be restarted. To restart the charge cycle (i.e., when the dead battery is replaced with a discharged battery), simply remove the input voltage and reapply it or cycle the TIMER pin to 0V.

Programming Charge Current

The formula for the battery charge current is:

$$I_{\text{CHG}} = I_{\text{PROG}} \cdot 50,000 = \frac{V_{\text{PROG}}}{R_{\text{PROG}}} \cdot 50,000$$

where V_{PROG} is the PROG pin voltage and R_{PROG} is the total resistance from the PROG pin to ground. Keep in mind that when the LTC4089-1 is powered from the IN pin, the programmed input current limit takes precedent over the charge current. In such a scenario, the charge current cannot exceed the programmed input current limit.

For example, if typical 500mA charge current is required, calculate:

$$R_{\text{PROG}} = \frac{1\text{V}}{500\text{mA}} \cdot 50,000 = 100\text{k}$$

For best stability over temperature and time, 1% metal film resistors are recommended. Under trickle charge conditions, this current is reduced to 10% of the full-scale value.

The Charge Timer

The programmable charge timer is used to terminate the charge cycle. The timer duration is programmed by an external capacitor at the TIMER pin. The charge time is typically:

$$t_{\text{TIMER}}(\text{hours}) = \frac{C_{\text{TIMER}} \cdot R_{\text{PROG}} \cdot 3\text{hours}}{0.1\mu\text{F} \cdot 100\text{k}}$$

The timer starts when an input voltage greater than the undervoltage lockout threshold level is applied or when leaving shutdown and the voltage on the battery is less than the recharge threshold. At power-up or exiting shutdown with the battery voltage less than the recharge threshold the charge time is a full cycle. If the battery is greater than the recharge threshold the timer will not start and charging is prevented. If after power-up the battery voltage drops below the recharge threshold, or if after a charge cycle the battery voltage is still below the recharge threshold, the charge time is set to one-half of a full cycle.

The LTC4089-1 has a feature that extends charge time automatically. Charge time is extended if the charge current in constant current mode is reduced due to load current or thermal regulation. This change in charge time is inversely proportional to the change in charge current. As the LTC4089-1 approaches constant voltage mode the charge current begins to drop. This change in charge current is due to normal charging operation and does not affect the timer duration.

Consider, for example, a USB charge condition where $R_{\text{CLPROG}} = 2\text{k}$, $R_{\text{PROG}} = 100\text{k}$ and $C_{\text{TIMER}} = 0.1\mu\text{F}$. This corresponds to a three hour charge cycle. However, if the HPWR input is set to a logic low, then the input current limit will be reduced from 500mA to 100mA. With no additional system load, this means the charge current will

OPERATION

be reduced to 100mA. Therefore, the termination timer will automatically slow down by a factor of five until the charger reaches constant voltage mode (i.e. $V_{BAT} = 4.1V$) or HPWR is returned to a logic high. The charge cycle is automatically lengthened to account for the reduced charge current. The exact time of the charge cycle will depend on how long the charger remains in constant-current mode and/or how long the HPWR pin remains a logic low.

Once a time-out occurs and the voltage on the battery is greater than the recharge threshold, the charge current stops, and the \overline{CHRG} output assumes a high impedance state if it has not already done so.

Connecting the TIMER pin to ground disables the battery charger.

\overline{CHRG} Status Output Pin

When the charge cycle starts, the \overline{CHRG} pin is pulled to ground by an internal N-channel MOSFET capable of driving an LED. When the charge current drops below 10% of the programmed full charge current while in constant voltage mode, the pin assumes a high impedance state, but charge current continues to flow until the charge time elapses. If this state is not reached before the end of the programmable charge time, the pin will assume a high impedance state when a time-out occurs. The \overline{CHRG} current detection threshold can be calculated by the following equation:

$$I_{DETECT} = \frac{0.1V}{R_{PROG}} \cdot 50,000 = \frac{5000V}{R_{PROG}}$$

For example, if the full charge current is programmed to 500mA with a 100k PROG resistor the \overline{CHRG} pin will change state at a battery charge current of 50mA.

Note: The end-of-charge (EOC) comparator that monitors the charge current latches its decision. Therefore, the first time the charge current drops below 10% of the programmed full charge current while in constant voltage mode, it will toggle \overline{CHRG} to a high impedance state. If, for some reason the charge current rises back above the threshold, the \overline{CHRG} pin will not resume the strong

pull-down state. The EOC latch can be reset by a recharge cycle (i.e., V_{BAT} drops below the recharge threshold) or toggling the input power to the part.

NTC Thermistor—Battery Temperature Charge Qualification

The battery temperature is measured by placing a negative temperature coefficient (NTC) thermistor close to the battery pack. The NTC circuitry is shown in Figure 4.

To use this feature, connect the NTC thermistor (R_{NTC}) between the NTC pin and ground and a resistor (R_{NOM}) from the NTC pin to VNTC. R_{NOM} should be a 1% resistor with a value equal to the value of the chosen NTC thermistor at 25°C (this value is 10k for a Vishay NTHS0603N02N1002J thermistor). The LTC4089-1 goes into hold mode when the resistance (R_{HOT}) of the NTC thermistor drops to 0.48 times the value of R_{NOM} , or approximately 4.8k, which should be at 45°C. The hold mode freezes the timer and stops the charge cycle until the thermistor indicates a return to a valid temperature. As the temperature drops, the resistance of the NTC thermistor rises. The LTC4089-1 is designed to go into hold mode when the value of the NTC thermistor increases to 2.82 times the value of R_{NOM} . This resistance is R_{COLD} . For a Vishay NTHS0603N02N1002J thermistor, this value is 28.2k which corresponds to approximately 0°C. The hot and cold comparators each have approximately 2°C of hysteresis to prevent oscillation about the trip point. Grounding the NTC pin will disable the NTC function.

Current Limit Undervoltage Lockout

An internal undervoltage lockout circuit monitors the input voltage and disables the input current limit circuits until V_{IN} rises above the undervoltage lockout threshold. The current limit UVLO circuit has a built-in hysteresis of 125mV. Furthermore, to protect against reverse current in the power MOSFET, the current limit UVLO circuit disables the current limit (i.e., forces the input power path to a high impedance state) if V_{OUT} exceeds V_{IN} . If the current limit UVLO comparator is tripped, the current limit circuits will not come out of shutdown until V_{OUT} falls 50mV below the V_{IN} voltage.

OPERATION

Charger Undervoltage Lockout

An internal undervoltage lockout circuit monitors the V_{OUT} voltage and disables the battery charger circuits until V_{OUT} rises above the undervoltage lockout threshold. The battery charger UVLO circuit has a built-in hysteresis of 125mV. Furthermore, to protect against reverse current in the power MOSFET, the charger UVLO circuit keeps the charger shut down if V_{BAT} exceeds V_{OUT} . If the charger UVLO comparator is tripped, the charger circuits will not come out of shutdown until V_{OUT} exceeds V_{BAT} by 50mV.

Suspend

The LTC4089-1 can be put in suspend mode by forcing the SUSP pin greater than 2.3V. In suspend mode, the ideal diode function from BAT to OUT is kept alive. If power is applied to the HVIN pin, then charging will be unaffected. Current drawn from the IN pin is reduced to 50 μ A. Suspend mode is intended to comply with the USB power specification mode of the same name.

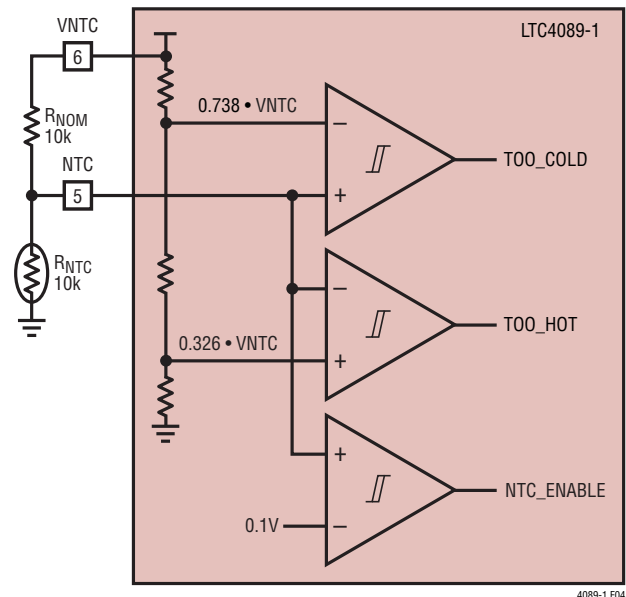


Figure 4. NTC Circuit

APPLICATIONS INFORMATION

USB and 5V Wall Adapter Power

Although the LTC4089-1 is designed to draw power from a USB port, a higher power 5V wall adapter can also be used to power the application and charge the battery (higher voltage wall adapters can be connected directly to HVIN). Figure 5 shows an example of combining a 5V wall adapter and a USB power input. With its gate grounded by 1k, P-channel MOSFET MP1 provides USB power to the LTC4089-1 when 5V wall power is not available. When 5V wall power is available, D1 both supplies power to the LTC4089, pulls the gate of MN1 high to increase the charge current (by increasing the input current limit), and pulls the gate of MP1 high to disable it and prevent conduction back to the USB port.

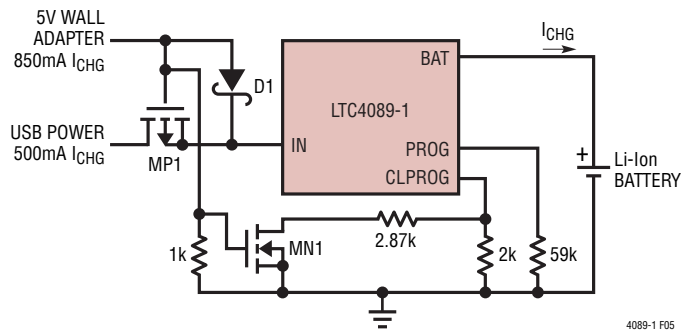


Figure 5. USB or 5V Wall Adapter Power

Inductor Selection and Maximum Output Current

A good choice for the inductor value is $L = 10\mu\text{H}$. With this value the maximum load current will be 1A. The RMS current rating of the inductor must be greater than the maximum load current and its saturation current should be about 30% higher. Note that the maximum load current

will be the programmed charge current plus the largest expected application load current. For robust operation in fault conditions, the saturation current should be $\sim 2.3\text{A}$. To keep efficiency high, the series resistance (DCR) should be less than 0.1Ω . Table 1 lists several vendors and types that are suitable.

Table 1: Inductor Vendors

VENDOR	URL	PART SERIES	INDUCTANCE (μH)	SIZE (mm)
Sumida	www.sumida.com	CDRH5D28	8.2, 10	$6 \times 6 \times 3$
		CDRH6D38	10	$7 \times 7 \times 4$
TDK	www.tdk.com	SLF6028T	10	$6 \times 6 \times 2.8$
Toko	www.toko.com	D63LCB	10	$6.3 \times 6.3 \times 3$

Catch Diode

Depending on load current, a 1A to 2A Schottky diode is recommended for the D1 catch diode. The diode must have a reverse voltage rating equal to, or greater than, the maximum input voltage. The ON Semiconductor MBRM140 and the Diodes Inc. DFLS140/160/240 are good choices.

High Voltage Regulator Capacitor Selection

Bypass the HVIN pin of the LTC4089-1 circuit with a $1\mu\text{F}$, or higher value ceramic capacitor of X7R or X5R type. Y5V types have poor performance over temperature and applied voltage and should not be used. A $1\mu\text{F}$ ceramic is adequate to bypass the high voltage input and will easily handle the ripple current. However, if the input power source has high impedance, or there is significant inductance due to long wires or cables, additional bulk capacitance may be necessary. This can be provided with a low performance electrolytic capacitor.

APPLICATIONS INFORMATION

The high voltage regulator output capacitor controls output ripple, supplies transient load currents, and stabilizes the regulator control loop. Ceramic capacitors have very low equivalent series resistance (ESR) and provide the best ripple performance. A good value is 10 μ F. Use X5R or X7R types, and note that a ceramic capacitor biased with V_{HVOUT} will have less than its nominal capacitance. Table 2 lists several capacitor vendors.

Table 2: Capacitor Vendors

VENDOR	PHONE	URL	PART SERIES	COMMENTS
Panasonic	(714) 373-7366	www.panasonic.com	Ceramic, Polymer, Tantalum	EEF Series
Kemet	(864) 963-6300	www.kemet.com	Ceramic, Tantalum	T494, T495
Sanyo	(408) 749-9714	www.sanyovideo.com	Ceramic, Polymer, Tantalum	POSCAP
Murata	(404) 436-1300	www.murata.com	Ceramic	
AVX		www.avxcorp.com	Ceramic, Tantalum	TPS Series
Taiyo Yuden	(864) 963-6300	www.taiyo-yuden.com	Ceramic	

BOOST Pin Considerations

Capacitor C3 and diode D2 (see Block Diagram) are used to generate a boost voltage that is higher than the input voltage. In most cases, a 0.1 μ F capacitor and fast-switching diode (such as the 1N4148 or 1N914) will work well. The BOOST pin must be at least 2.2V above the SW pin for proper operation.

High Voltage Regulator Soft-Start

The HVEN pin can be used to soft-start the high voltage regulator and reduce the maximum input current during start-up. A voltage ramp at the HVEN pin can be created

by driving the pin through an external RC filter (see Figure 6). By choosing a large RC time constant, the peak start-up current will not overshoot the current that is required to regulate the output. Choose the value of the resistor so that it can supply 20 μ A when the HVEN pin reaches 2.3V.

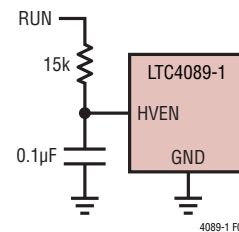


Figure 6. Using the HVEN Pin to Soft-Start the High Voltage Regulator

Alternate NTC Thermistors

The LTC4089-1 NTC trip points were designed to work with thermistors whose resistance-temperature characteristics follow Vishay Dale's "R-T Curve 2." The Vishay NTHS0603N02N1002J is an example of such a thermistor. However, Vishay Dale has many thermistor products that follow the "R-T Curve 2" characteristic in a variety of sizes. Furthermore, any thermistor whose ratio of R_{COLD} to R_{HOT} is about 6.0 will also work (Vishay Dale R-T Curve 2 shows a ratio of $2.816/0.4839 = 5.82$).

Power conscious designs may want to use thermistors whose room temperature value is greater than 10k. Vishay Dale has a number of values of thermistor from 10k to 100k that follow the "R-T Curve 1." Using these as indicated in the NTC Thermistor section will give temperature trip points of approximately 3 $^{\circ}$ C and 42 $^{\circ}$ C, a delta of 39 $^{\circ}$ C. This delta in temperature can be moved in either direction by changing the value of R_{NOM} with respect to R_{NTC} .

APPLICATIONS INFORMATION

Increasing R_{NOM} will move both trip points to lower temperatures. Likewise, a decrease in R_{NOM} with respect to R_{NTC} will move the trip points to higher temperatures. To calculate R_{NOM} for a shift to lower temperature, for example, use the following equation:

$$R_{NOM} = \frac{R_{COLD}}{2.816} \cdot R_{NTC} \text{ at } 25^{\circ}\text{C}$$

where R_{COLD} is the resistance ratio of R_{NTC} at the desired cold temperature trip point. To shift the trip points to higher temperatures use the following equation:

$$R_{NOM} = \frac{R_{HOT}}{0.484} \cdot R_{NTC} \text{ at } 25^{\circ}\text{C}$$

where R_{HOT} is the resistance ratio of R_{NTC} at the desired hot temperature trip point.

The following example uses a 100K R-T Curve 1 Thermistor from Vishay Dale. The difference between the trip points is 39°C, from before—and the desired cold trip point of 0°C, would put the hot trip point at about 39°C. The R_{NOM} needed is calculated as follows:

$$\begin{aligned} R_{NOM} &= \frac{R_{COLD}}{2.816} \cdot R_{NTC} \text{ at } 25^{\circ}\text{C} \\ &= \frac{3.266}{2.816} \cdot 100\text{k} = 116\text{k} \end{aligned}$$

The nearest 1% value for R_{NOM} is 115k. This is the value used to bias the NTC thermistor to get cold and hot trip points of approximately 0°C and 39°C, respectively. To extend the delta between the cold and hot trip points, a resistor (R1) can be added in series with R_{NTC} (see Figure 7). The values of the resistors are calculated as follows:

$$\begin{aligned} R_{NOM} &= \frac{R_{COLD} - R_{HOT}}{2.816 - 0.484} \\ R1 &= \frac{0.484}{2.816 - 0.484} \cdot [R_{COLD} - R_{HOT}] - R_{HOT} \end{aligned}$$

where R_{NOM} is the value of the bias resistor, R_{HOT} and R_{COLD} are the values of R_{NTC} at the desired temperature trip points. Continuing the aforementioned example with a desired hot trip point of 50°C:

$$\begin{aligned} R_{NOM} &= \frac{R_{COLD} - R_{HOT}}{2.816 - 0.484} \\ &= \frac{100\text{k} \cdot (3.266 - 0.3602)}{2.816 - 0.484} \\ &= 124.6\text{k}, 124\text{k nearest } 1\% \end{aligned}$$

$$\begin{aligned} R1 &= 100\text{k} \cdot \frac{0.484}{2.816 - 0.484} \cdot \\ &\quad (3.266 - 0.3602) - 0.3602 \\ &= 24.3\text{k} \end{aligned}$$

The final solution is shown in Figure 7, where $R_{NOM} = 124\text{k}$, $R1 = 24.3\text{k}$ and $R_{NTC} = 100\text{k}$ at 25°C.

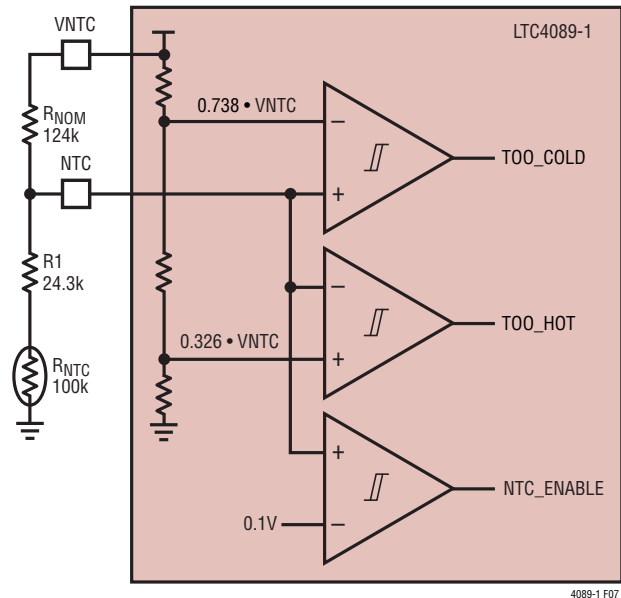


Figure 7. Modified NTC Circuit

APPLICATIONS INFORMATION

Power Dissipation and High Temperature Considerations

The die temperature of the LTC4089-1 must be lower than the maximum rating of 110°C. This is generally not a concern unless the ambient temperature is above 85°C. The total power dissipated inside the LTC4089-1 depends on many factors, including input voltage (IN or HVIN), battery voltage, programmed charge current, programmed input current limit, and load current.

In general, if the LTC4089-1 is being powered from IN the power dissipation can be calculated as follows:

$$P_D = (V_{IN} - V_{BAT}) \cdot I_{BAT} + (V_{IN} - V_{OUT}) \cdot I_{OUT}$$

where P_D is the power dissipated, I_{BAT} is the battery charge current, and I_{OUT} is the application load current. For a typical application, an example of this calculation would be:

$$P_D = (5V - 3.7V) \cdot 0.4A + (5V - 4.75V) \cdot 0.1A = 545mW$$

This example assumes $V_{IN} = 5V$, $V_{OUT} = 4.75V$, $V_{BAT} = 3.7V$, $I_{BAT} = 400mA$, and $I_{OUT} = 100mA$ resulting in slightly more than 0.5W total dissipation.

If the LTC4089-1 is being powered from HVIN, the power dissipation can be estimated by calculating the regulator power loss from an efficiency measurement, and subtracting the catch diode loss.

$$P_D = (1 - \eta) \cdot (V_{HVOUT} \cdot (I_{BAT} + I_{OUT})) - V_D \cdot 1 - \frac{V_{HVOUT}}{V_{HVIN}} \cdot (I_{BAT} + I_{OUT}) + 0.3V \cdot I_{BAT}$$

where η is the efficiency of the high voltage regulator and V_D is the forward voltage of the catch diode at $I = I_{BAT} + I_{OUT}$. The first term corresponds to the power lost in converting V_{HVIN} to V_{HVOUT} , the second term subtracts the catch diode loss, and the third term is the power dissipated in the battery charger. For a typical application, an example of this calculation would be:

$$P_D = (1 - 0.87) \cdot [4V \cdot (0.7A + 0.3A)] - 0.4V \cdot 1 - \frac{4V}{12V} \cdot (0.7A + 0.3A) + 0.3V \cdot 0.7A = 463mW$$

This example assumes 87% efficiency, $V_{HVIN} = 12V$, $V_{BAT} = 3.7V$ (V_{HVOUT} is about 4V), $I_{BAT} = 700mA$, $I_{OUT} = 300mA$ resulting in less than 0.5W total dissipation.

If the LTC4089-5 is being powered from HVIN, the power dissipation can be estimated by calculating the regulator power loss from an efficiency measurement and subtracting the catch diode loss.

$$P_D = (1 - \eta) \cdot (5V \cdot (I_{BAT} + I_{OUT})) - V_D \cdot 1 - \frac{5V}{V_{HVIN}} \cdot (I_{BAT} + I_{OUT}) + (5V - V_{BAT}) \cdot I_{BAT}$$

The difference between this equation and the LTC4089-1 is the last term which represents the power dissipation in the battery charger. For a typical application, an example of this calculation would be:

$$P_D = (1 - 0.87) \cdot (5V \cdot (0.7A + 0.3A)) - 0.4V \cdot 1 - \frac{5V}{12V} \cdot (0.7A + 0.3A) + (5V - 3.7V) \cdot 0.7A = 1,327mW$$

Like the LTC4089-1 example, this example assumes 87% efficiency, $V_{HVIN} = 12V$, $V_{BAT} = 3.7V$, $I_{BAT} = 700mA$, $I_{OUT} = 300mA$ resulting in 1.3W total dissipation.

To prevent power dissipation of this magnitude from causing high die temperature, it is important to solder the exposed backside of the package to a ground plane. This ground should be tied to other copper layers below with thermal vias; these layers will spread the heat dissipated by the LTC4089-1. Additional vias should be placed near the catch diodes. Adding more copper to the top and bottom layers, and tying this copper to the internal planes with vias, can reduce thermal resistance further. With these steps, the thermal resistance from die (i.e., junction) to ambient can be reduced to $\theta_{JA} = 40^\circ C/W$.

The power dissipation in the other power components—catch diodes, MOSFETs, boost diodes and inductors—causes additional copper heating and can further increase the “ambient” temperature of the IC.

APPLICATIONS INFORMATION

Board Layout Considerations

As discussed in the previous section, it is critical that the exposed metal pad on the backside of the LTC4089-1 package be soldered to the PC board ground. Furthermore, proper operation and minimum EMI requires a careful printed circuit board (PCB) layout. Note that large, switched currents flow in the power switch (between the HVIN and SW pins), the catch diode and the HVIN input capacitor. These components, along with the inductor and output capacitor, should be placed on the same side of the circuit board, and their connections should be made on that layer. Place a local, unbroken ground plane below these components. The loop formed by these components should be as small as possible. Additionally, the SW and BOOST nodes should be kept as small as possible. Figure 8 shows the recommended component placement with trace and via locations.

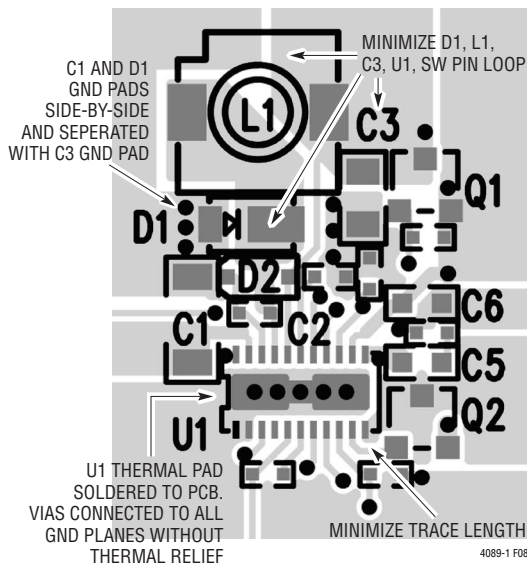


Figure 8. Suggested Board Layout

High frequency currents, such as the high voltage input current of the LTC4089-1, tend to find their way along the ground plane on a mirror path directly beneath the incident path on the top of the board. If there are slits or cuts in the ground plane due to other traces on that layer, the current will be forced to go around the slits. If high frequency currents are not allowed to flow back through their natural least-area path, excessive voltage will build up and radiated emissions will occur. See Figure 9.

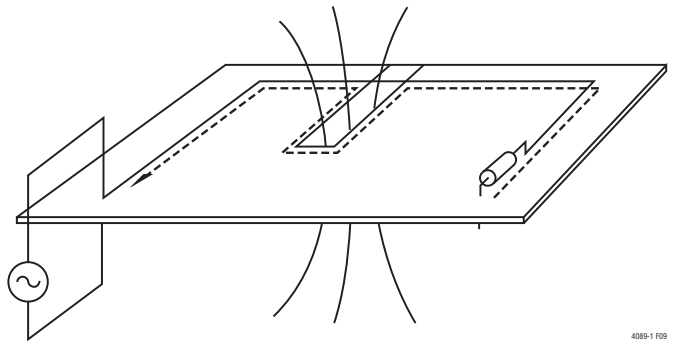


Figure 9. Ground Currents Follow Their Incident Path at High Speed. Slits in the Ground Plane Cause High Voltage and Increased Emissions

V_{IN} and V_{HVIN} Bypass Capacitor

Many types of capacitors can be used for input bypassing, however, caution must be exercised when using multi-layer ceramic capacitors. Because of the self-resonant and high Q characteristics of some types of ceramic capacitors, high voltage transients can be generated under some start-up conditions, such as from connecting the charger input to a hot power source. For more information, refer to Application Note 88.

Battery Charger Stability Considerations

The constant-voltage mode feedback loop is stable without any compensation when a battery is connected with low impedance leads. Excessive lead length, however, may add enough series inductance to require a bypass capacitor of at least $1\mu\text{F}$ from BAT to GND. Furthermore, a $4.7\mu\text{F}$ capacitor with a 0.2Ω to 1Ω series resistor to GND is recommended at the BAT pin to keep ripple voltage low when the battery is disconnected.

APPLICATIONS INFORMATION

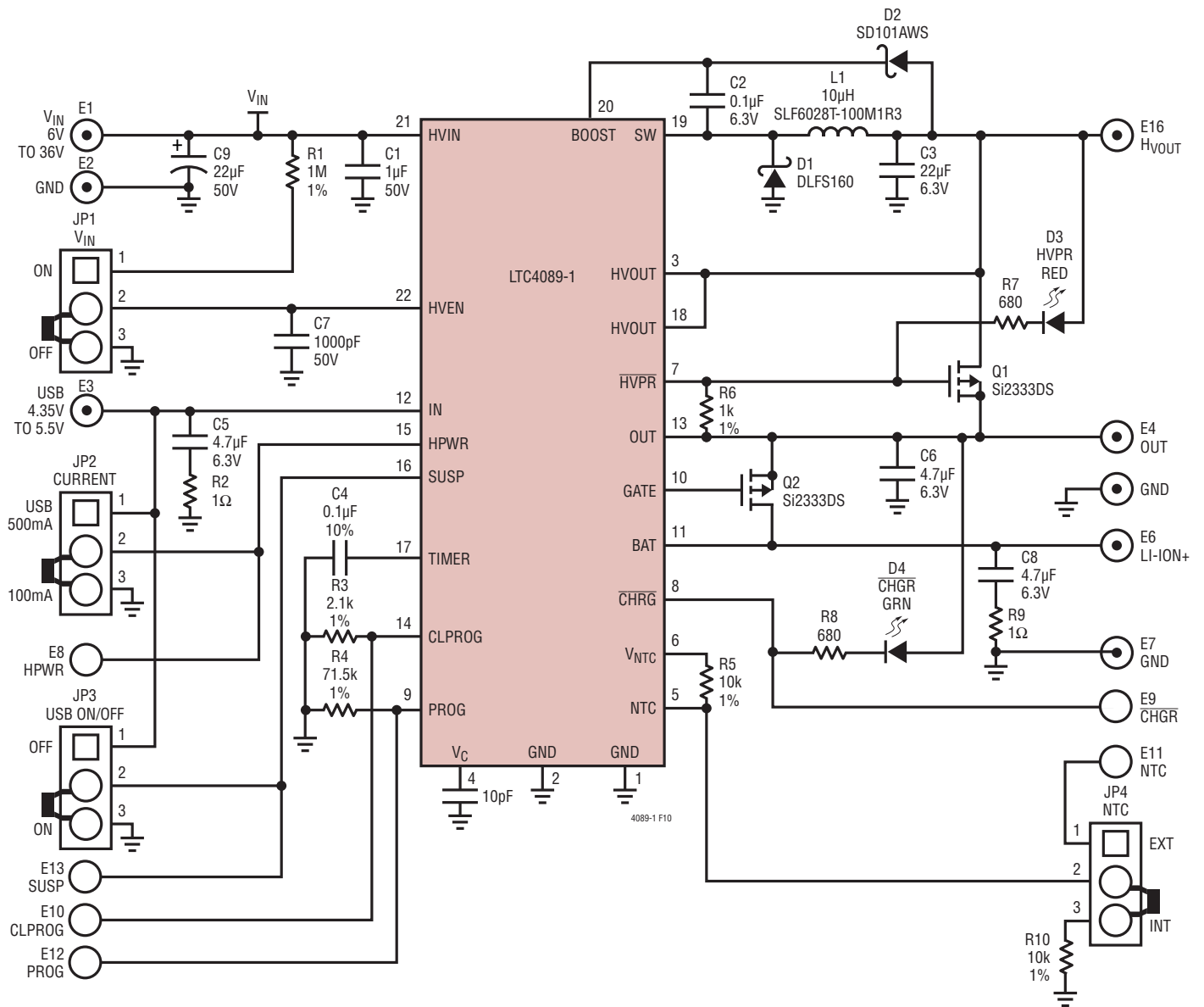


Figure 10. Typical Application Diagram

REVISION HISTORY (Revision history begins at Rev B)

REV	DATE	DESCRIPTION	PAGE NUMBER
B	07/17	Modified I_{VNTC} specification.	4

RELATED PARTS

PART NUMBER	DESCRIPTION	COMMENTS
Battery Chargers		
LTC1733	Monolithic Lithium-Ion Linear Battery Charger	Standalone Charger with Programmable Timer, Up to 1.5A Charge Current
LTC1734	Lithium-Ion Linear Battery Charger in ThinSOT™	Simple ThinSOT Charger, No Blocking Diode, No Sense Resistor Needed
LTC4002	Switch Mode Lithium-Ion Battery Charger	Standalone, $4.7V \leq V_{IN} \leq 24V$, 500kHz Frequency, 3 Hour Charge Termination
LTC4053	USB Compatible Monolithic Li-Ion Battery Charger	Standalone Charger with Programmable Timer, Up to 1.25A Charge Current
LTC4054	Standalone Linear Li-Ion Battery Charger with Integrated Pass Transistor in ThinSOT	Thermal Regulation Prevents Overheating, C/10 Termination, C/10 Indicator, Up to 800mA Charge Current
LTC4057	Lithium-Ion Linear Battery Charger	Up to 800mA Charge Current, Thermal Regulation, ThinSOT Package
LTC4058	Standalone 950mA Lithium-Ion Charger in DFN	C/10 Charge Termination, Battery Kelvin Sensing, $\pm 7\%$ Charge Accuracy
LTC4059	900mA Linear Lithium-Ion Battery Charger	2mm \times 2mm DFN Package, Thermal Regulation, Charge Current Monitor Output
LTC4065/ LTC4065A	Standalone Li-Ion Battery Chargers in 2 \times 2 DFN	4.2V, $\pm 0.6\%$ Float Voltage, Up to 750mA Charge Current, 2mm \times 2mm DFN, "A" Version has ACPR Function.
LTC4411/LTC4412	Low Loss PowerPath Controller in ThinSOT	Automatic Switching Between DC Sources, Load Sharing, Replaces ORing Diode
LTC4412HV	High Voltage Power Path Controllers in ThinSOT	$V_{IN} = 3V$ to 36V, More Efficient than Diode ORing, Automatic Switching Between DC Sources, Simplified Load Sharing, ThinSOT Package.
Power Management		
LTC3405/ LTC3405A	300mA (I_{OUT}), 1.5MHz, Synchronous Step-Down DC/DC Converter	95% Efficiency, $V_{IN} = 2.7V$ to 6V, $V_{OUT} = 0.8V$, $I_Q = 20\mu A$, $I_{SD} < 1\mu A$, ThinSOT Package
LTC3406/ LTC3406A	600mA (I_{OUT}), 1.5MHz, Synchronous Step-Down DC/DC Converter	95% Efficiency, $V_{IN} = 2.5V$ to 5.5V, $V_{OUT} = 0.6V$, $I_Q = 20\mu A$, $I_{SD} < 1\mu A$, ThinSOT Package
LTC3411	1.25A (I_{OUT}), 4MHz, Synchronous Step-Down DC/DC Converter	95% Efficiency, $V_{IN} = 2.5V$ to 5.5V, $V_{OUT} = 0.8V$, $I_Q = 60\mu A$, $I_{SD} < 1\mu A$, MS10 Package
LTC3440	600mA (I_{OUT}), 2MHz, Synchronous Buck-Boost DC/DC Converter	95% Efficiency, $V_{IN} = 2.5V$ to 5.5V, $V_{OUT} = 2.5V$, $I_Q = 25\mu A$, $I_{SD} < 1\mu A$, MS Package
LTC3455	Dual DC/DC Converter with USB Power Manager and Li-Ion Battery Charger	Seamless Transition Between Power Sources: USB, Wall Adapter and Battery; 95% Efficient DC/DC Conversion
LT®3493	1.2A, 750kHz Step-Down Switching Regulator	88% Efficiency, $V_{IN} = 3.6V$ to 36V (40V Maximum), $V_{OUT} = 0.8V$, $I_{SD} < 2\mu A$, 2mm \times 3mm DFN Package
LTC4055	USB Power Controller and Battery Charger	Charges Single Cell Li-Ion Batteries Directly from a USB Port, Thermal Regulation, 200m Ω Ideal Diode, 4mm \times 4mm QFN16 Package
LTC4066	USB Power Controller and Li-Ion Battery Charger with Low-Loss Ideal Diode	Charges Single Cell Li-Ion Batteries Directly from a USB Port, Thermal Regulation, 50m Ω Ideal Diode, 4mm \times 4mm QFN24 Package
LTC4085	USB Power Manager with Ideal Diode Controller and Li-Ion Charger	Charges Single Cell Li-Ion Batteries Directly from a USB Port, Thermal Regulation, 200m Ω Ideal Diode with <50m Ω Option, 4mm \times 3mm DFN14 Package