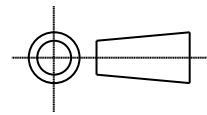


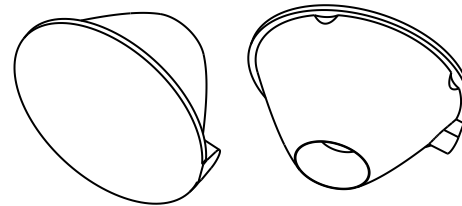
ISS.	DATE	E.C.N.	DESCRIPTION
1	19-Jun-09		FIRST ISSUE

© 2008 CARCLO
ALL DIMENSIONS IN mm

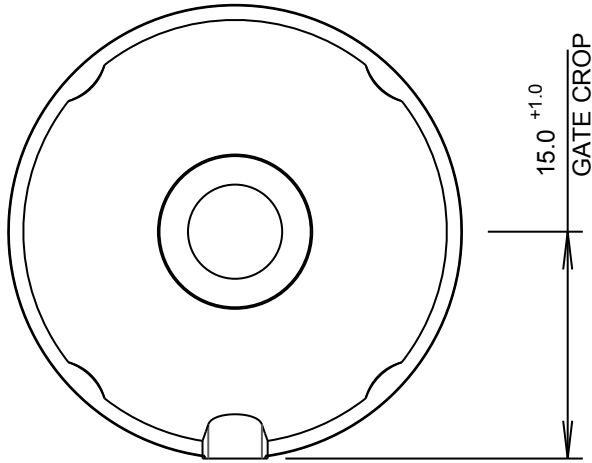


CARCLO TECHNICAL PLASTICS (SLOUGH) LTD.
111 BUCKINGHAM AVE, SLOUGH
SL1 4PF, ENGLAND
TEL: +44 1753 575011 FAX: +44 1753 811359
e-mail: design@ctpcoil.co.uk}

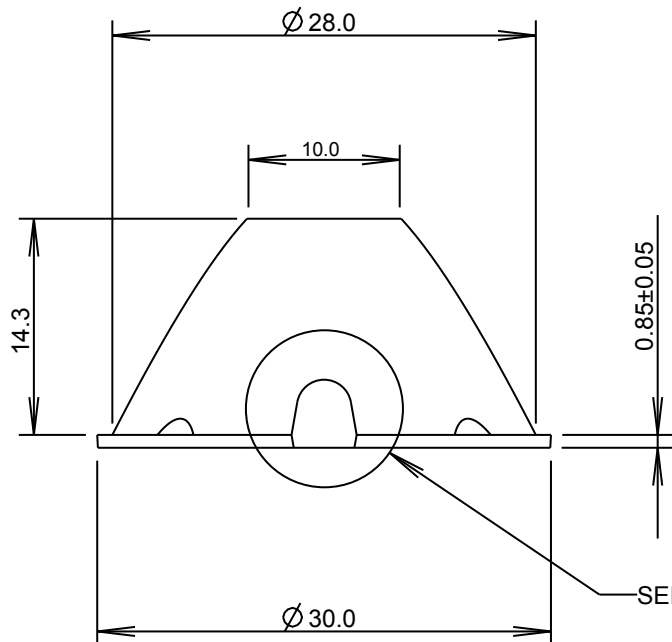
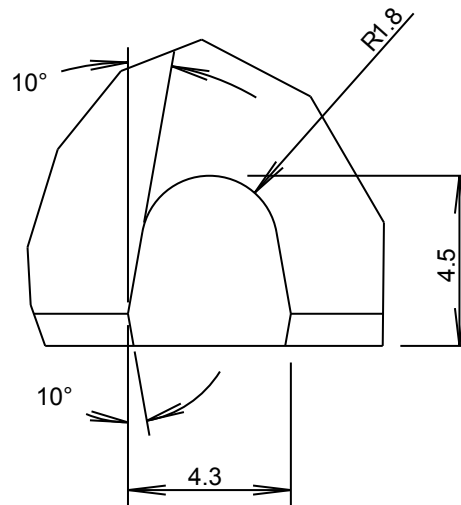
CUSTOMER DRAWING



SCALE 1:1
GENERAL VIEW



DETAIL A
SCALE 5:1



MATERIAL: POLYCARBONATE

GENERAL TOLERANCES (UNLESS STATED)

LINEAR	ANGULAR
X +/- 0.25	X +/- 1°
X.X +/- 0.1	X.X +/- 0.5°
X.XX +/- 0.05	X.XX +/- 0.1°

CUSTOMER

TITLE

30 mm OPTIC 0.6mm OFFSET
WIDE FROSTED

DRAWN MKI DATE 19-Jun-09

CHK'D DATE

APP'D DATE

SCALE COIL PART No.

2:1

10758

SIZE COIL DRG. No. SHEET

A4

60579

1 OF 1