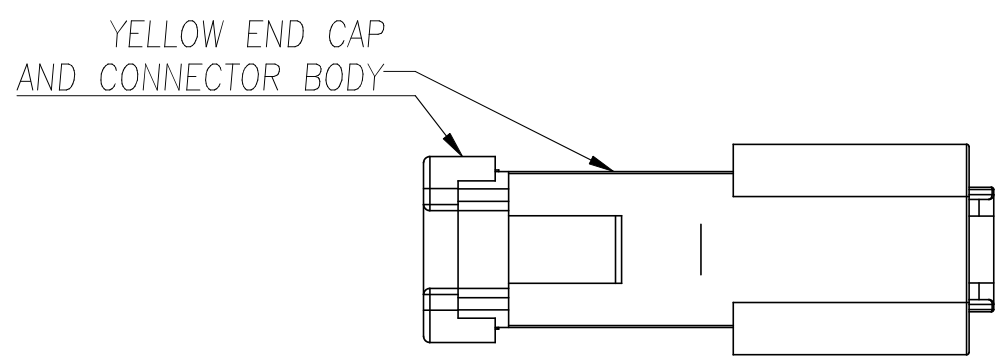
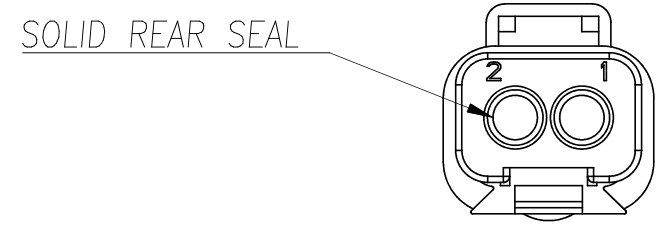
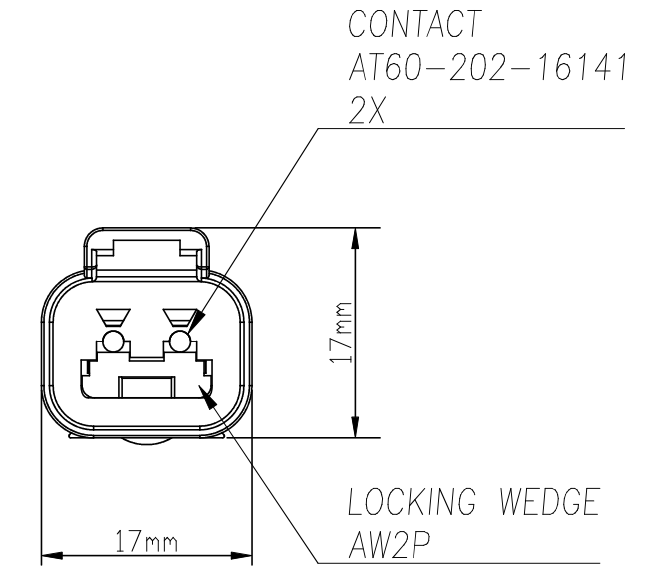
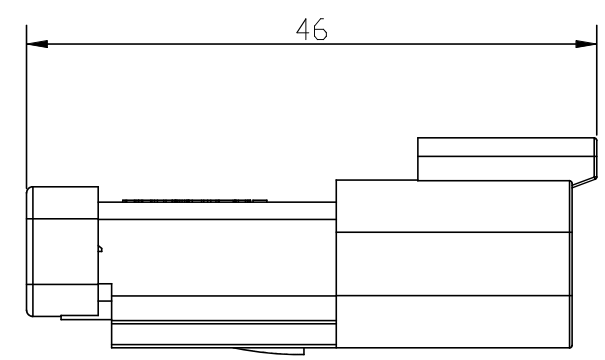
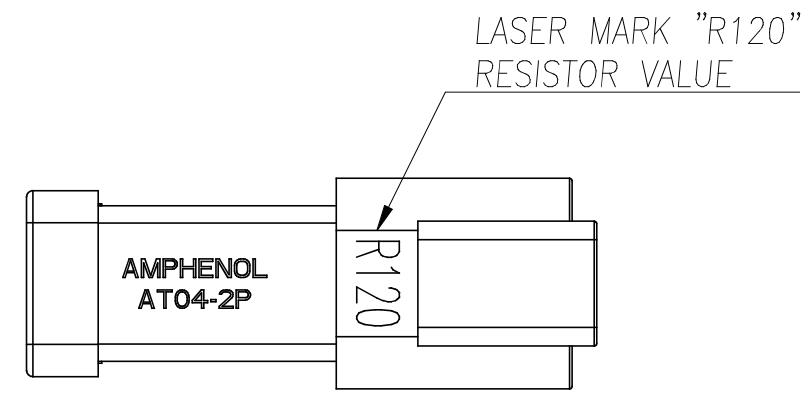


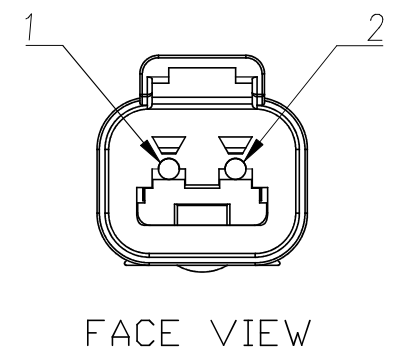
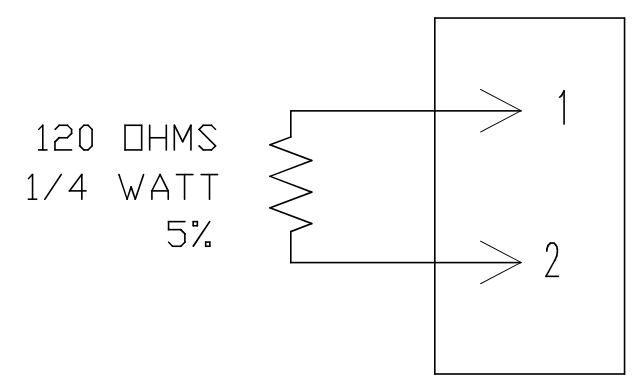
REVISIONS						
REV	ZONE	ECO	DESCRIPTION	DATE	BY	APPR
01	--	--	RELEASE	03MAY12	RFC	RFC
02	--	--	UPDATE DRAWING FORMAT	06NOV13	DRP	DRP

NOTES: UNLESS OTHERWISE SPECIFIED

- 1 DIMENSIONS ARE FOR REFERENCE ONLY.
- 2 PART NUMBER AT04-2P-R120YEL IS FOR A FULLY ASSEMBLED CONNECTOR READY FOR INSTALLATION.
- 3 CONNECTOR BODY & CAP COLOR TO BE YELLOW



WIRING DIAGRAM



**CUSTOMER DRAWING**

ITEM	PART NUMBER	Qty	DESCRIPTION	REMARK
<b>MATERIALS LIST</b>				
UNLESS OTHERWISE SPECIFIED 1) All dimensions are in metric(mm). 2) Tolerances are as follows: 1 PL DEC ±0.20 2 PL DEC ±0.10 3 PL DEC ±0.05			MATERIAL SPECIFICATIONS:	<b>SINE Systems Corporation</b> A Subsidiary of Amphenol Corporation
SIGNATURE			PROCESS SPECIFICATIONS: IPC620-A	
DATE			THIS DRAWING IS SUPPLIED FOR INFORMATION ONLY. DESIGN FEATURES, SPECIFICATIONS AND PERFORMANCE DATA SHOWN HEREON ARE THE PROPERTY OF THE AMPHENOL CORPORATION. NO RIGHTS OF REPRODUCTION ARE IMPLIED. ALL DIMENSIONS ARE SUBJECT TO NORMAL MANUFACTURING VARIATIONS.	RECEIPT, 2 WAY "AT", 120 OHM, YELLOW
DRAWN	R. CURRY	03-MAY-12		DWG NO: AT04-2P-R120YEL
CHECKED	R. CURRY	03-MAY-12		THIRD ANGLE PROJECTION
ENGINEER	R. CURRY	03-MAY-12		FSCM NO.
APPROVAL	R. CURRY	03-MAY-12		SIZE MASS REV. SCALE
CUSTOMER	ALL		A3 02 NONE	SHEET 1 OF 1