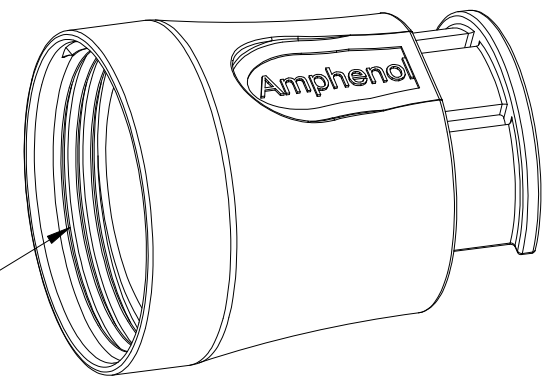
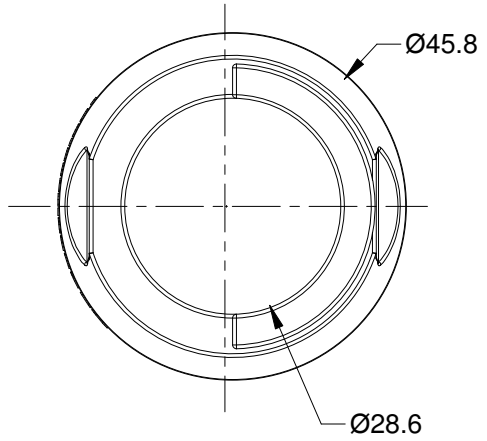
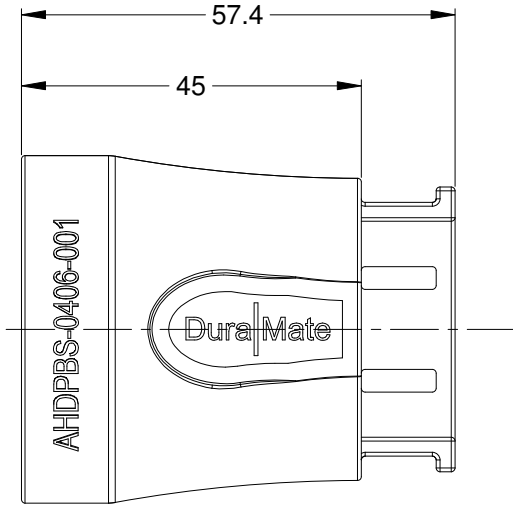


REVISIONS					
REV	ECO	DESCRIPTION	DATE	BY	APPR
A1		RELEASE NEW PRODUCT	16JUN15	ORION	TOMMY
A2		ADD PART NUMBER ON BACKSHELL	07NOV15	ORION	TOMMY



1 11/16-12 UN THREAD

NOTES: UNLESS OTHERWISE SPECIFIED

1. MATERIAL: THERMOPLASTIC
2. COLORS: BLACK
3. RoHS COMPLIANT
4. USE WITH AHDP SERIES WTA MODIFICATION
5. ALL DIMENSIONS ARE FOR REFERENCE USE ONLY.

AHDPBS-0406-001					
PART NUMBER		DESCRIPTION			ITEM
QUANTITY	MATERIALS LIST				
UNLESS OTHERWISE SPECIFIED 1) All dimensions are in metric(mm). 2) Tolerances are as follows: 1 PL DEC ±0.30 2 PL DEC ±0.15 3 PL DEC ±0.08 Fractions ±1/64 Angles ±1° 3) Note reference =		SIGNATURES		DATE	
		DRAWN: ORION.LI		16JUN15	
		CHECKED:			
		ENGINEER:			
		APPROVAL: TOMMY.XIE		16JUN15	
MATERIAL SPECIFICATIONS:		CUSTOMER:			
PROCESS SPECIFICATIONS:		THIS DRAWING IS SUPPLIED FOR INFORMATION ONLY. DESIGN FEATURES, SPECIFICATIONS AND PERFORMANCE DATA SHOWN HEREON ARE THE PROPERTY OF THE AMPHENOL CORPORATION. NO RIGHTS OF REPRODUCTION ARE IMPLIED. ALL DIMENSIONS ARE SUBJECT TO NORMAL MANUFACTURING VARIATIONS.			
NEXT ASS'Y:					
		SIZE		REVISION	
		A C-		A2	
		DWG NO: AHDPBS-0406-001			
		SCALE: NONE		SHEET 1 OF 1	

**Amphenol**

Sine Systems - www.amphenol-sine.com  
44724 Morley Drive  
Clinton Township, MI 48036

BACKSEHELL, AHDP SERIES, SIZE 24,WTA