

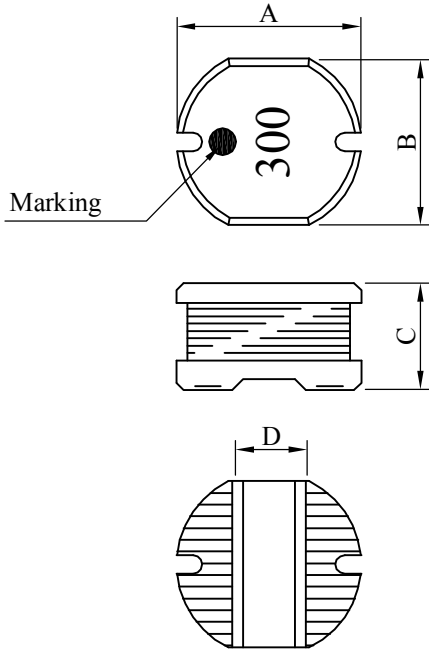
# SPECIFICATION FOR APPROVAL

REF :

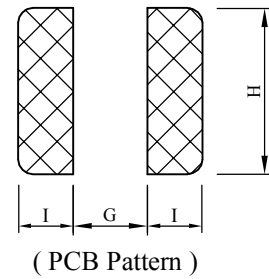
PAGE: 1

PROD. NAME	SMD POWER INDUCTOR	DWG NO.	SDR0403-300JL
		ITEM NO.	

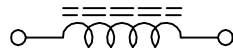
## I . CONFIGURATION & DIMENSIONS :



A :	4.5±0.3	m/m
B :	4.0±0.3	m/m
C :	3.2±0.3	m/m
D :	1.5 typ.	m/m
G :	1.5 ref.	m/m
H :	4.5 ref.	m/m
I :	1.8 ref.	m/m

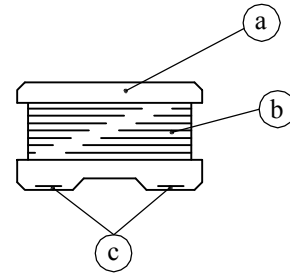


## II . SCHEMATIC DIAGRAM :

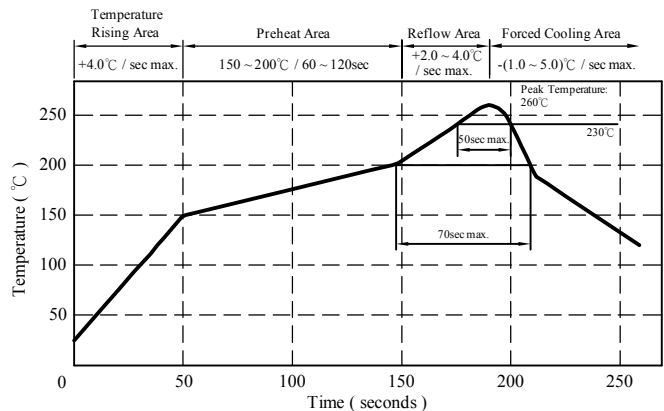


## III . MATERIALS :

- a . Core : Ferrite DR core
- b . Wire : Enamelled copper wire (class F)  
Winding : 2SFBW 0.14ψx36.5Ts (ref.)
- c . Terminal : Ag /Ni/Sn
- d . Remark : Products comply with RoHS' requirements



Peak Temp : 260°C max.  
Max time above 230°C : 50sec max.  
Max time above 200°C : 70sec max.



## IV . GENERAL SPECIFICATION :

- a . Temp. rise : 40°C max.
- b . Rated current : Base on temp. rise & ΔL / L0A=10% max.
- c . Storage temp. : -40°C ----+125°C
- d . Operating temp. : -40°C ----+105°C
- e . Resistance to solder heat : 260°C.10 secs.

AR-001A

# SPECIFICATION FOR APPROVAL

REF :

PAGE: 2

PROD. NAME	SMD POWER INDUCTOR	DWG NO.	SDR0403-300JL
		ITEM NO.	

V . ELECTRICAL CHARACTERISTICS :

DWG No.	Inductance ( $\mu$ H)	Test Freq. ( Hz )	RDC ( $\Omega$ ) max.	IDC ( A ) max.
SDR0403-300JL	$30.0 \pm 5\%$	133K	0.530	0.660

. □ : : :



AR-001A

# SPECIFICATION FOR APPROVAL

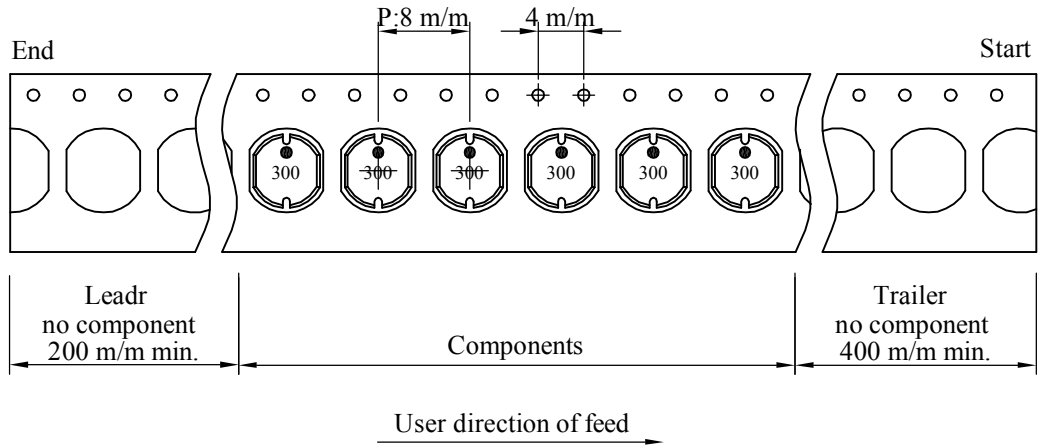
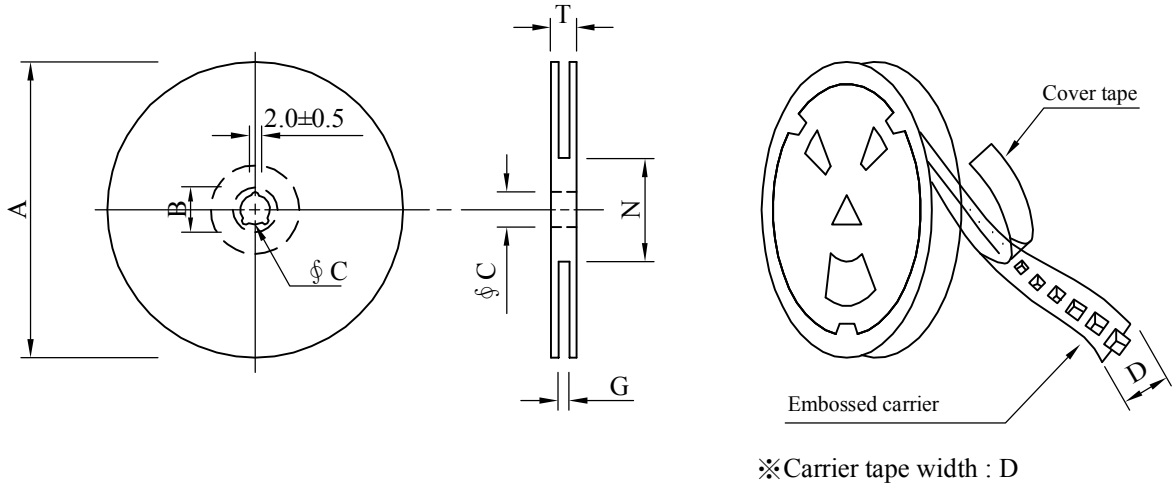
REF :

PAGE: 3

PROD. NAME	SMD POWER INDUCTOR	DWG NO.	SDR0403-300JL
		ITEM NO.	

## VI . PACKAGING INFORMATION

( 1 ) Configuration



( 2 ) Dimensions

Unit:m/m

Style	A	B	C	D	G	N	T
13 - 12	330	21±0.8	13±0.5	12	14 <sup>+0</sup>	50 <sup>-0</sup>	18.4

( 3 ) Q'TY & G.W. Per package

Series	Inner : Reel			Outer : Carton		
	Q'TY (pcs)	G.W. (gw)	Style	Q'TY (pcs)	G.W. (Kg)	Size (cm)
SDR0403	2000	1100	13 - 12	16,000	11.9	40 x 40 x 24

AR-001A