

# 2-Mbit (128K × 16) Automotive F-RAM Memory

## Features

- 2-Mbit ferroelectric random access memory (F-RAM™) logically organized as 128K × 16
  - Configurable as 256K × 8 using  $\overline{UB}$  and  $\overline{LB}$
  - High-endurance 100 trillion ( $10^{14}$ ) read/writes
  - 151-year data retention (see the [Data Retention and Endurance](#) table)
  - NoDelay™ writes
  - Page-mode operation for 30-ns cycle time
  - Advanced high-reliability ferroelectric process
- SRAM compatible
  - Industry-standard 128K × 16 SRAM pinout
  - 60-ns access time, 90-ns cycle time
- Advanced features
  - Software-programmable block write-protect
- Superior to battery-backed SRAM modules
  - No battery concerns
  - Monolithic reliability
  - True surface-mount solution, no rework steps
  - Superior for moisture, shock, and vibration
- Low power consumption
  - Active current 7 mA (typ)
  - Standby current 120 μA (typ)
- Low-voltage operation:  $V_{DD} = 2.0\text{ V to }3.6\text{ V}$

- Automotive-A temperature:  $-40\text{ °C to }+85\text{ °C}$
- 44-pin thin small outline package (TSOP) Type II
- Restriction of hazardous substances (RoHS)-compliant

## Functional Description

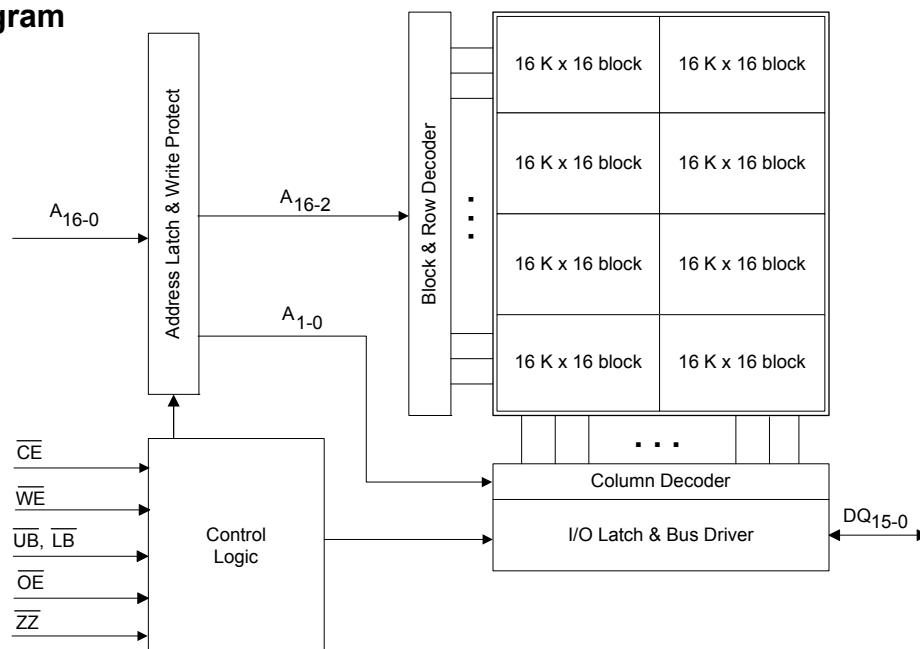
The CY15B102N is a 128K × 16 nonvolatile memory that reads and writes similar to a standard SRAM. A ferroelectric random access memory or F-RAM is nonvolatile, which means that data is retained after power is removed. It provides data retention for over 151 years while eliminating the reliability concerns, functional disadvantages, and system design complexities of battery-backed SRAM (BBSRAM). Fast write-timing and high write-endurance make the F-RAM superior to other types of memory.

The CY15B102N operation is similar to that of other RAM devices, and, therefore, it can be used as a drop-in replacement for a standard SRAM in a system. Read cycles may be triggered by  $\overline{CE}$  or simply by changing the address and write cycles may be triggered by  $\overline{CE}$  or  $\overline{WE}$ . The F-RAM memory is nonvolatile due to its unique ferroelectric memory process. These features make the CY15B102N ideal for nonvolatile memory applications requiring frequent or rapid writes.

The device is available in a 400-mil, 44-pin TSOP-II surface-mount package. Device specifications are guaranteed over the Automotive-A temperature range  $-40\text{ °C to }+85\text{ °C}$ .

For a complete list of related resources, [click here](#).

## Logic Block Diagram

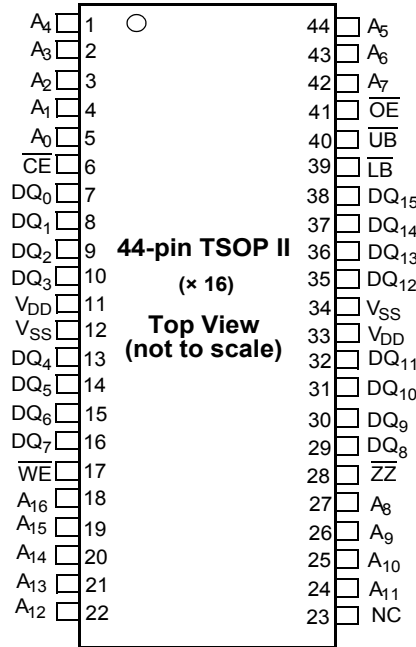


## Contents

|  |           |  |           |
|--|-----------|--|-----------|
| <b>Pinout</b> .....                        | <b>3</b>  | <b>AC Switching Characteristics</b> .....            | <b>11</b> |
| <b>Pin Definitions</b> .....               | <b>3</b>  | SRAM Read Cycle .....                                | 11        |
| <b>Device Operation</b> .....              | <b>4</b>  | SRAM Write Cycle .....                               | 12        |
| Memory Operation .....                     | 4         | <b>Power Cycle and Sleep Mode Timing</b> .....       | <b>16</b> |
| Read Operation .....                       | 4         | <b>Functional Truth Table</b> .....                  | <b>17</b> |
| Write Operation .....                      | 4         | <b>Byte Select Truth Table</b> .....                 | <b>17</b> |
| Page Mode Operation .....                  | 4         | <b>Ordering Information</b> .....                    | <b>18</b> |
| Precharge Operation .....                  | 4         | Ordering Code Definitions .....                      | 18        |
| Sleep Mode .....                           | 4         | <b>Package Diagram</b> .....                         | <b>19</b> |
| Software Write Protect .....               | 5         | <b>Acronyms</b> .....                                | <b>20</b> |
| Software Write-Protect Timing .....        | 7         | <b>Document Conventions</b> .....                    | <b>20</b> |
| SRAM Drop-In Replacement .....             | 8         | Units of Measure .....                               | 20        |
| Endurance .....                            | 8         | <b>Document History Page</b> .....                   | <b>21</b> |
| <b>Maximum Ratings</b> .....               | <b>9</b>  | <b>Sales, Solutions, and Legal Information</b> ..... | <b>22</b> |
| <b>Operating Range</b> .....               | <b>9</b>  | Worldwide Sales and Design Support .....             | 22        |
| <b>DC Electrical Characteristics</b> ..... | <b>9</b>  | Products .....                                       | 22        |
| <b>Data Retention and Endurance</b> .....  | <b>10</b> | PSoC® Solutions .....                                | 22        |
| <b>Capacitance</b> .....                   | <b>10</b> | Cypress Developer Community .....                    | 22        |
| <b>Thermal Resistance</b> .....            | <b>10</b> | Technical Support .....                              | 22        |
| <b>AC Test Conditions</b> .....            | <b>10</b> |  |           |

Pinout

Figure 1. 44-Pin TSOP II Pinout



Pin Definitions

| Pin Name                          | I/O Type     | Description  |
|-----------------------------------|--------------|--|
| A <sub>0</sub> –A <sub>16</sub>   | Input        | <b>Address inputs:</b> The 17 address lines select one of 128K words in the F-RAM array. The lowest two address lines A <sub>1</sub> –A <sub>0</sub> may be used for page mode read and write operations.  |
| DQ <sub>0</sub> –DQ <sub>15</sub> | Input/Output | <b>Data I/O Lines:</b> 16-bit bidirectional data bus for accessing the F-RAM array.  |
| $\overline{WE}$                   | Input        | <b>Write Enable:</b> A write cycle begins when $\overline{WE}$ is asserted. The rising edge causes the CY15B102N to write the data on the DQ bus to the F-RAM array. The falling edge of $\overline{WE}$ latches a new column address for page mode write cycles.  |
| $\overline{CE}$                   | Input        | <b>Chip Enable:</b> The device is selected and a new memory access begins on the falling edge of $\overline{CE}$ . The entire address is latched internally at this point. Subsequent changes to the A <sub>1</sub> –A <sub>0</sub> address inputs allow page mode operation.                                  |
| $\overline{OE}$                   | Input        | <b>Output Enable:</b> When $\overline{OE}$ is LOW, the CY15B102N drives the data bus when the valid read data is available. Deasserting $\overline{OE}$ HIGH tristates the DQ pins.  |
| $\overline{UB}$                   | Input        | <b>Upper Byte Select:</b> Enables DQ <sub>15</sub> –DQ <sub>8</sub> pins during reads and writes. These pins are HI-Z if $\overline{UB}$ is HIGH. If the user does not perform byte writes and the device is not configured as a 256K × 8, the $\overline{UB}$ and $\overline{LB}$ pins may be tied to ground. |
| $\overline{LB}$                   | Input        | <b>Lower Byte Select:</b> Enables DQ <sub>7</sub> –DQ <sub>0</sub> pins during reads and writes. These pins are HI-Z if $\overline{LB}$ is HIGH. If the user does not perform byte writes and the device is not configured as a 256 K × 8, the $\overline{UB}$ and $\overline{LB}$ pins may be tied to ground. |
| $\overline{ZZ}$                   | Input        | <b>Sleep:</b> When $\overline{ZZ}$ is LOW, the device enters a low-power sleep mode for the lowest supply current condition. $\overline{ZZ}$ must be HIGH for a normal read/write operation. This pin must be tied to V <sub>DD</sub> if not used.   |
| V <sub>SS</sub>                   | Ground       | Ground for the device. Must be connected to the ground of the system   |
| V <sub>DD</sub>                   | Power supply | Power supply input to the device   |
| NC                                | No connect   | No connect. This pin is not connected to the die.  |

## Device Operation

The CY15B102N is a word-wide F-RAM memory logically organized as  $131,072 \times 16$  and accessed using an industry-standard parallel interface. All data written to the part is immediately nonvolatile with no delay. The device offers page-mode operation, which provides high-speed access to addresses within a page (row). Access to a different page requires that either  $\overline{CE}$  transitions LOW or the upper address ( $A_{16}$ – $A_2$ ) changes. See the [Functional Truth Table on page 17](#) for a complete description of read and write modes.

## Memory Operation

Users access 131,072 memory locations, each with 16 data bits through a parallel interface. The F-RAM array is organized as eight blocks, each having 4096 rows. Each row has four column locations, which allow fast access in page-mode operation. When an initial address is latched by the falling edge of  $\overline{CE}$ , subsequent column locations may be accessed without the need to toggle  $\overline{CE}$ . When  $\overline{CE}$  is deasserted (HIGH), a precharge operation begins. Writes occur immediately at the end of the access with no delay. The  $\overline{WE}$  pin must be toggled for each write operation. The write data is stored in the nonvolatile memory array immediately, which is a feature unique to F-RAM called “NoDelay” writes.

## Read Operation

A read operation begins on the falling edge of  $\overline{CE}$ . The falling edge of  $\overline{CE}$  causes the address to be latched and starts a memory read cycle if  $\overline{WE}$  is HIGH. Data becomes available on the bus after the access time is met. When the address is latched and the access completed, a new access to a random location (different row) may begin while  $\overline{CE}$  is still LOW. The minimum cycle time for random addresses is  $t_{RC}$ . Note that unlike SRAMs, the CY15B102N's  $\overline{CE}$ -initiated access time is faster than the address access time.

The CY15B102N will drive the data bus when  $\overline{OE}$  and at least one of the byte enables ( $\overline{UB}$ ,  $\overline{LB}$ ) is asserted LOW. The upper data byte is driven when  $\overline{UB}$  is LOW, and the lower data byte is driven when  $\overline{LB}$  is LOW. If  $\overline{OE}$  is asserted after the memory access time is met, the data bus will be driven with valid data. If  $\overline{OE}$  is asserted before completing the memory access, the data bus will not be driven until valid data is available. This feature minimizes the supply current in the system by eliminating transients caused by invalid data being driven to the bus. When  $\overline{OE}$  is deasserted HIGH, the data bus will remain in a HI-Z state.

## Write Operation

In the CY15B102N, writes occur in the same interval as reads. The CY15B102N supports both  $\overline{CE}$ - and  $\overline{WE}$ -controlled write cycles. In both cases, the address  $A_{16}$ – $A_2$  is latched on the falling edge of  $\overline{CE}$ .

In a  $\overline{CE}$ -controlled write, the  $\overline{WE}$  signal is asserted before beginning the memory cycle. That is,  $\overline{WE}$  is LOW when  $\overline{CE}$  falls. In this case, the device begins the memory cycle as a write. The CY15B102N will not drive the data bus regardless of the state of  $\overline{OE}$  as long as  $\overline{WE}$  is LOW. Input data must be valid when  $\overline{CE}$  is

deasserted HIGH. In a  $\overline{WE}$ -controlled write, the memory cycle begins on the falling edge of  $\overline{CE}$ . The  $\overline{WE}$  signal falls some time later. Therefore, the memory cycle begins as a read. The data bus will be driven if  $\overline{OE}$  is LOW; however, it will be HI-Z when  $\overline{WE}$  is asserted LOW. The  $\overline{CE}$ - and  $\overline{WE}$ -controlled write timing cases are shown on the [page 13](#).

Write access to the array begins on the falling edge of  $\overline{WE}$  after the memory cycle is initiated. The write access terminates on the rising edge of  $\overline{WE}$  or  $\overline{CE}$ , whichever comes first. A valid write operation requires the user to meet the access time specification before deasserting  $\overline{WE}$  or  $\overline{CE}$ . The data setup time indicates the interval during which data cannot change before the end of the write access (rising edge of  $\overline{WE}$  or  $\overline{CE}$ ).

Unlike other nonvolatile memory technologies, there is no write delay with F-RAM. Because the read and write access times of the underlying memory are the same, the user experiences no delay through the bus. The entire memory operation occurs in a single bus cycle. Data polling, a technique used with EEPROMs to determine if a write is complete, is unnecessary.

## Page Mode Operation

The F-RAM array is organized as eight blocks, each having 4096 rows. Each row has four column-address locations. Address inputs  $A_1$ – $A_0$  define the column address to be accessed. An access can start on any column address, and other column locations may be accessed without the need to toggle the  $\overline{CE}$  pin. For fast access reads, after the first data byte is driven to the bus, the column address inputs  $A_1$ – $A_0$  may be changed to a new value. A new data byte is then driven to the DQ pins no later than  $t_{AAP}$ , which is less than half the initial read access time. For fast access writes, the first write pulse defines the first write access. While  $\overline{CE}$  is LOW, a subsequent write pulse along with a new column address provides a page mode write access.

## Precharge Operation

The precharge operation is an internal condition in which the memory state is prepared for a new access. Precharge is user-initiated by driving the  $\overline{CE}$  signal HIGH. It must remain HIGH for at least the minimum precharge time,  $t_{PC}$ .

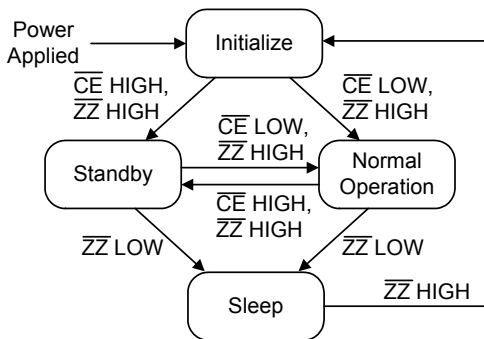
Precharge is also activated by changing the upper addresses,  $A_{16}$ – $A_2$ . The current row is first closed before accessing the new row. The device automatically detects an upper order address change, which starts a precharge operation. The new address is latched and the new read data is valid within the  $t_{AA}$  address access time; see [Figure 8 on page 13](#). A similar sequence occurs for write cycles; see [Figure 13 on page 14](#). The rate at which random addresses can be issued is  $t_{RC}$  and  $t_{WC}$ , respectively.

## Sleep Mode

The device incorporates a sleep mode of operation, which allows the user to achieve the lowest-power-supply-current condition. It enters a low-power sleep mode by asserting the  $\overline{ZZ}$  pin LOW. Read and write operations must complete before the  $\overline{ZZ}$  pin going LOW. When  $\overline{ZZ}$  is LOW, all pins are ignored except the  $\overline{ZZ}$  pin. When  $\overline{ZZ}$  is deasserted HIGH, there is some time delay ( $t_{ZZEX}$ ) before the user can access the device.

If sleep mode is not used, the  $\overline{ZZ}$  pin must be tied to  $V_{DD}$ .

Figure 2. Sleep/Standby State Diagram



**Software Write Protect**

The 128K × 16 address space is divided into eight sectors (blocks) of 16K × 16 each. Each sector can be individually software write-protected and the settings are nonvolatile. A unique address and command sequence invokes the write-protect mode.

To modify write protection, the system host must issue six read commands, three write commands, and a final read command. The specific sequence of read addresses must be provided to access the write-protect mode. Following the read address sequence, the host must write a data byte that specifies the desired protection state of each sector. For confirmation, the system must then write the complement of the protection byte immediately after the protection byte. Any error that occurs including read addresses in the wrong order, issuing a seventh read address, or failing to complement the protection value will leave the write protection unchanged.

The write-protect state machine monitors all addresses, taking no action until this particular read/write sequence occurs. During the address sequence, each read will occur as a valid operation and data from the corresponding addresses will be driven to the data bus. Any address that occurs out of sequence will cause the software protection state machine to start over. After the address sequence is completed, the next operation must be a write cycle. The lower data byte contains the write-protect settings. This value will not be written to the memory array, so the address is a don't-care. Rather it will be held pending the next cycle, which must be a write of the data complement to the protection settings. If the complement is correct, the write-protect settings will be adjusted. Otherwise, the process is aborted and the address sequence starts over. The data value written after the correct six addresses will not be entered into the memory.

The protection data byte consists of eight bits, each associated with the write-protect state of a sector. The data byte must be driven to the lower eight bits of the data bus, DQ<sub>7</sub> - DQ<sub>0</sub>. Setting a bit to '1' write-protects the corresponding sector; a 0 enables writes for that sector. The following table shows the write-protect sectors with the corresponding bit that controls the write-protect setting.

Table 1. Write Protect Sectors - 16K x 16 Blocks

| Sectors  | Blocks        |
|----------|---------------|
| Sector 7 | 1FFFFh-1C000h |
| Sector 6 | 1BFFFh-18000h |
| Sector 5 | 17FFFh-14000h |
| Sector 4 | 13FFFh-10000h |
| Sector 3 | 0FFFFh-0C000h |
| Sector 2 | 0BFFFh-08000h |
| Sector 1 | 07FFFh-04000h |
| Sector 0 | 03FFFh-00000h |

The write-protect address sequence follows:

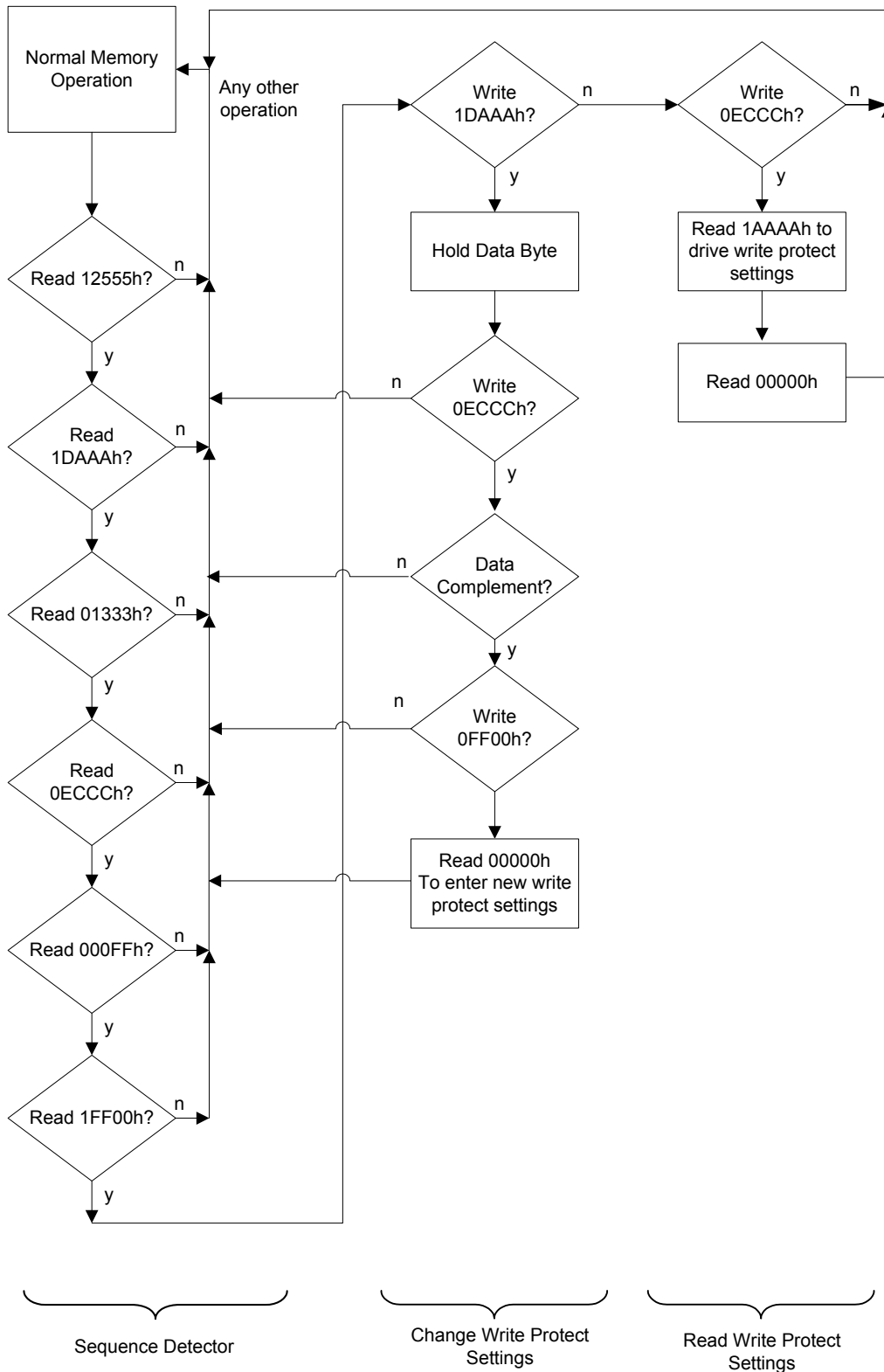
1. Read address 12555h
2. Read address 1DAAAh
3. Read address 01333h
4. Read address 0ECCCh
5. Read address 000FFh
6. Read address 1FF00h
7. Write address 1DAAAh
8. Write address 0ECCCh
9. Write address 0FF00h
10. Read address 00000h

The address sequence provides a secure way of modifying the protection. The write-protect sequence has a one in 3 × 10<sup>32</sup> chance of randomly accessing exactly the first six addresses. The odds are further reduced by requiring three more write cycles, one that requires an exact inversion of the data byte. [Figure 3 on page 6](#) shows a flow chart of the entire write-protect operation. The write-protect settings are nonvolatile. The factory default: all blocks are unprotected.

For example, the following sequence write-protects addresses from 0C000h to 13FFFh (sectors 3 and 4):

|       | Address | Data                   |
|-------|---------|------------------------|
| Read  | 12555h  | -                      |
| Read  | 1DAAAh  | -                      |
| Read  | 01333h  | -                      |
| Read  | 0ECCCh  | -                      |
| Read  | 000FFh  | -                      |
| Read  | 1FF00h  | -                      |
| Write | 1DAAAh  | 18h; bits 3 and 4 = 1  |
| Write | 0ECCCh  | E7h; complement of 18h |
| Write | 0FF00h  | Don't care             |
| Read  | 00000h  |                        |

**Figure 3. Write-Protect State Machine**

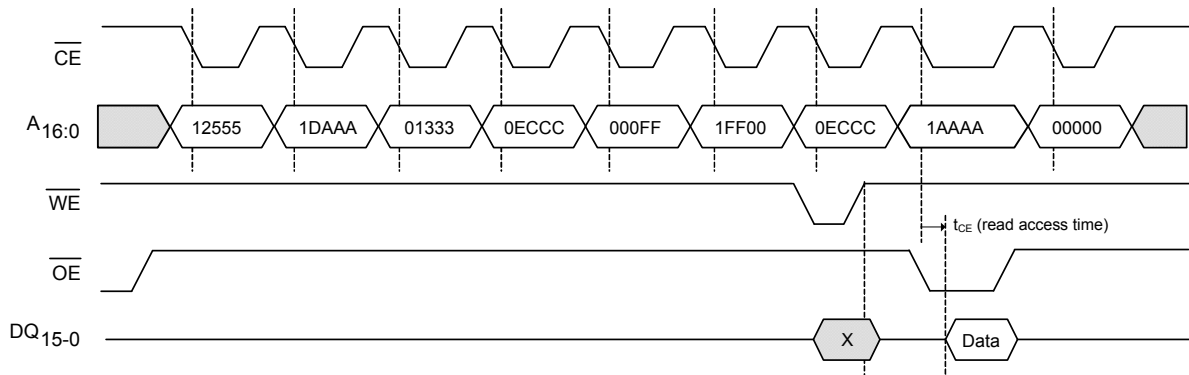


Software Write-Protect Timing

Figure 4. Sequence to Set Write-Protect Blocks [1]



Figure 5. Sequence to Read Write-Protect Settings [1]



Note

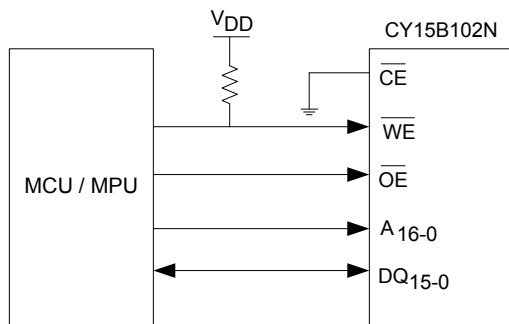
1. This sequence requires  $t_{AS} \geq 10$  ns and address must be stable while  $\overline{CE}$  is LOW.



### SRAM Drop-In Replacement

The CY15B102N is designed to be a drop-in replacement for standard asynchronous SRAMs. The device does not require  $\overline{CE}$  to toggle for each new address.  $\overline{CE}$  may remain LOW indefinitely. While  $\overline{CE}$  is LOW, the device automatically detects address changes and a new access begins. This functionality allows  $\overline{CE}$  to be grounded, similar to an SRAM. It also allows page mode operation at speeds up to 33 MHz. Note that if  $\overline{CE}$  is tied to ground, the user must be sure  $\overline{WE}$  is not LOW at power-up or power-down events. If  $\overline{CE}$  and  $\overline{WE}$  are both LOW during power cycles, data will be corrupted. Figure 6 shows a pull-up resistor on  $\overline{WE}$ , which will keep the pin HIGH during power cycles, assuming the MCU/MPU pin tristates during the reset condition. The pull-up resistor value should be chosen to ensure the  $\overline{WE}$  pin tracks  $V_{DD}$  to a high enough value, so that the current drawn when  $\overline{WE}$  is LOW is not an issue. A 10-k $\Omega$  resistor draws 330  $\mu$ A when  $\overline{WE}$  is LOW and  $V_{DD} = 3.3$  V. Note that software write-protect is not available if the chip enable pin is hard-wired.

Figure 6. Use of Pull-up Resistor on  $\overline{WE}$

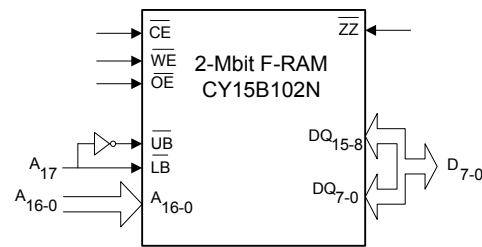


For applications that require the lowest power consumption, the  $\overline{CE}$  signal should be active (LOW) only during memory accesses. The CY15B102N draws supply current while  $\overline{CE}$  is LOW, even if addresses and control signals are static. While  $\overline{CE}$  is HIGH, the device draws no more than the maximum standby current,  $I_{SB}$ .

The CY15B102N is backward compatible with the 2-Mbit FM21L16 device. There are some differences in the timing specifications. Refer to the FM21L16 datasheet.

The  $\overline{UB}$  and  $\overline{LB}$  byte select pins are active for both read and write cycles. They may be used to allow the device to be wired as a 256K  $\times$  8 memory. The upper and lower data bytes can be tied together and controlled with the byte selects. Individual byte enables or the next higher address line  $A_{17}$  may be available from the system processor.

Figure 7. CY15B102N Wired as 256 K  $\times$  8



### Endurance

The CY15B102N is capable of being accessed at least  $10^{14}$  times – reads or writes. An F-RAM memory operates with a read and restore mechanism. Therefore, an endurance cycle is applied on a row basis. The F-RAM architecture is based on an array of rows and columns. Rows are defined by  $A_{16-2}$  and column addresses by  $A_{1-0}$ . The array is organized as 32K rows of four words each. The entire row is internally accessed once whether a single 16-bit word or all four words are read or written. Each word in the row is counted only once in an endurance calculation.

The user may choose to write CPU instructions and run them from a certain address space. Table 2 shows endurance calculations for a 256-byte repeating loop, which includes a starting address, three-page mode accesses, and a  $\overline{CE}$  precharge. The number of bus clock cycles needed to complete a four-word transaction is 4 + 1 at lower bus speeds, but 5 + 2 at 33 MHz due to initial read latency and an extra clock cycle to satisfy the device's precharge timing constraint  $t_{PC}$ . The entire loop causes each byte to experience only one endurance cycle. The F-RAM read and write endurance is virtually unlimited even at a 33-MHz system bus clock rate.

Table 2. Time to Reach 100 Trillion Cycles for Repeating 256-byte Loop

| Bus Freq (MHz) | Bus Cycle Time (ns) | 256-byte Transaction Time ( $\mu$ s) | Endurance Cycles/sec | Endurance Cycles/year | Years to Reach $10^{14}$ Cycles |
|----------------|---------------------|--------------------------------------|----------------------|-----------------------|---------------------------------|
| 33             | 30                  | 10.56                                | 94,690               | $2.98 \times 10^{12}$ | 33.5                            |
| 25             | 40                  | 12.8                                 | 78,125               | $2.46 \times 10^{12}$ | 40.6                            |
| 10             | 100                 | 28.8                                 | 34,720               | $1.09 \times 10^{12}$ | 91.7                            |
| 5              | 200                 | 57.6                                 | 17,360               | $5.47 \times 10^{11}$ | 182.8                           |



## Maximum Ratings

Exceeding maximum ratings may shorten the useful life of the device. These user guidelines are not tested.

|   |   |
|---|---|
| Storage temperature   | -55 °C to +125 °C   |
| Maximum accumulated storage time                              |   |
| At 125 °C ambient temperature                                 | 1000 h  |
| At 85 °C ambient temperature                                  | 10 Years  |
| Ambient temperature   |   |
| with power applied  | -55 °C to +125 °C   |
| Supply voltage on V <sub>DD</sub> relative to V <sub>SS</sub> | -1.0 V to + 4.5 V   |
| Voltage applied to outputs                                    |   |
| in High Z state   | -0.5 V to V <sub>DD</sub> + 0.5 V                               |
| Input voltage   | -1.0 V to + 4.5 V and V <sub>IN</sub> < V <sub>DD</sub> + 1.0 V |

|   |                                   |
|---|-----------------------------------|
| Transient voltage (< 20 ns) on any pin to ground potential    | -2.0 V to V <sub>CC</sub> + 2.0 V |
| Package power dissipation capability (T <sub>A</sub> = 25 °C) | 1.0 W                             |
| Surface mount Pb soldering temperature (3 seconds)            | +260 °C                           |
| DC output current (1 output at a time, 1s duration)           | 15 mA                             |
| Static discharge voltage                                      |                                   |
| Human Body Model (AEC-Q100-002 Rev. E)                        | 2 kV                              |
| Charged Device Model (AEC-Q100-011 Rev. B)                    | 500 V                             |
| Latch-up current  | > 140 mA                          |

## Operating Range

| Range        | Ambient Temperature (T <sub>A</sub> ) | V <sub>DD</sub> |
|--------------|---------------------------------------|-----------------|
| Automotive-A | -40 °C to +85 °C                      | 2.0 V to 3.6 V  |

## DC Electrical Characteristics

Over the [Operating Range](#)

| Parameter        | Description                    | Test Conditions  | Min                    | Typ <sup>[2]</sup> | Max                   | Unit |    |
|------------------|--------------------------------|--|------------------------|--------------------|-----------------------|------|----|
| V <sub>DD</sub>  | Power supply voltage           |  | 2.0                    | 3.3                | 3.6                   | V    |    |
| I <sub>DD</sub>  | V <sub>DD</sub> supply current | V <sub>DD</sub> = 3.6 V, $\overline{CE}$ cycling at min. cycle time. All inputs toggling at CMOS levels (0.2 V or V <sub>DD</sub> - 0.2 V), all DQ pins unloaded.      | -                      | 7                  | 12                    | mA   |    |
| I <sub>SB</sub>  | Standby current                | V <sub>DD</sub> = 3.6 V, $\overline{CE}$ at V <sub>DD</sub> , All other pins are static and at CMOS levels (0.2 V or V <sub>DD</sub> - 0.2 V), $\overline{ZZ}$ is HIGH | T <sub>A</sub> = 25 °C | -                  | 120                   | 150  | μA |
|                  |                                |  | T <sub>A</sub> = 85 °C | -                  | -                     | 250  | μA |
| I <sub>ZZ</sub>  | Sleep mode current             | V <sub>DD</sub> = 3.6 V, $\overline{ZZ}$ is LOW, All other inputs V <sub>SS</sub> or V <sub>DD</sub> .   | T <sub>A</sub> = 25 °C | -                  | 3                     | 5    | μA |
|                  |                                |  | T <sub>A</sub> = 85 °C | -                  | -                     | 8    | μA |
| I <sub>LI</sub>  | Input leakage current          | V <sub>IN</sub> between V <sub>DD</sub> and V <sub>SS</sub>  | -                      | -                  | ±1                    | μA   |    |
| I <sub>LO</sub>  | Output leakage current         | V <sub>OUT</sub> between V <sub>DD</sub> and V <sub>SS</sub>   | -                      | -                  | ±1                    | μA   |    |
| V <sub>IH1</sub> | Input HIGH voltage             | V <sub>DD</sub> = 2.7 V to 3.6 V   | 2.2                    | -                  | V <sub>DD</sub> + 0.3 | V    |    |
| V <sub>IH2</sub> | Input HIGH voltage             | V <sub>DD</sub> = 2.0 V to 2.7 V   | 0.7 × V <sub>DD</sub>  | -                  | -                     | V    |    |
| V <sub>IL1</sub> | Input LOW voltage              | V <sub>DD</sub> = 2.7 V to 3.6 V   | -0.3                   | -                  | 0.8                   | V    |    |
| V <sub>IL2</sub> | Input LOW voltage              | V <sub>DD</sub> = 2.0 V to 2.7 V   | -0.3                   | -                  | 0.3 × V <sub>DD</sub> | V    |    |
| V <sub>OH1</sub> | Output HIGH voltage            | I <sub>OH</sub> = -1 mA, V <sub>DD</sub> > 2.7 V   | 2.4                    | -                  | -                     | V    |    |
| V <sub>OH2</sub> | Output HIGH voltage            | I <sub>OH</sub> = -100 μA  | V <sub>DD</sub> - 0.2  | -                  | -                     | V    |    |
| V <sub>OL1</sub> | Output LOW voltage             | I <sub>OL</sub> = 2 mA, V <sub>DD</sub> > 2.7 V  | -                      | -                  | 0.4                   | V    |    |
| V <sub>OL2</sub> | Output LOW voltage             | I <sub>OL</sub> = 150 μA   | -                      | -                  | 0.2                   | V    |    |

### Note

2. Typical values are at 25 °C, V<sub>DD</sub> = V<sub>DD</sub> (typ). Not 100% tested.

## Data Retention and Endurance

| Parameter       | Description    | Test condition             | Min              | Max | Unit   |
|-----------------|----------------|----------------------------|------------------|-----|--------|
| T <sub>DR</sub> | Data retention | T <sub>A</sub> = 85 °C     | 10               | –   | Years  |
|                 |                | T <sub>A</sub> = 75 °C     | 38               | –   |        |
|                 |                | T <sub>A</sub> = 65 °C     | 151              | –   |        |
| NV <sub>C</sub> | Endurance      | Over operating temperature | 10 <sup>14</sup> | –   | Cycles |

## Capacitance

| Parameter        | Description                              | Test Conditions   | Max | Unit |
|------------------|--|---|-----|------|
| C <sub>I/O</sub> | Input/Output capacitance (DQ)            | T <sub>A</sub> = 25 °C, f = 1 MHz, V <sub>DD</sub> = V <sub>DD(Typ)</sub> | 8   | pF   |
| C <sub>IN</sub>  | Input capacitance                        |   | 6   | pF   |
| C <sub>ZZ</sub>  | Input capacitance of $\overline{ZZ}$ pin |   | 8   | pF   |

## Thermal Resistance

| Parameter       | Description                              | Test Conditions   | 44-pin TSOP II | Unit |
|-----------------|--|---|----------------|------|
| Θ <sub>JA</sub> | Thermal resistance (junction to ambient) | Test conditions follow standard test methods and procedures for measuring thermal impedance, in accordance with EIA/JESD51. | 107            | °C/W |
| Θ <sub>JC</sub> | Thermal resistance (junction to case)    |   | 25             | °C/W |

## AC Test Conditions

Input pulse levels ..... 0 V to 3 V  
 Input rise and fall times (10%–90%) ..... ≤ 3 ns  
 Input and output timing reference levels ..... 1.5 V  
 Output load capacitance ..... 30 pF

## AC Switching Characteristics

Over the [Operating Range](#)

| Parameters <sup>[3]</sup>          |                   | Description   | V <sub>DD</sub> = 2.0 V to 2.7 V |     | V <sub>DD</sub> = 2.7 V to 3.6 V |     | Unit |
|------------------------------------|-------------------|---|----------------------------------|-----|----------------------------------|-----|------|
| Cypress Parameter                  | Alt Parameter     |   | Min                              | Max | Min                              | Max |      |
| <b>SRAM Read Cycle</b>             |                   |   |                                  |     |                                  |     |      |
| t <sub>CE</sub>                    | t <sub>ACE</sub>  | Chip enable access time                               | –                                | 70  | –                                | 60  | ns   |
| t <sub>RC</sub>                    | –                 | Read cycle time                                       | 105                              | –   | 90                               | –   | ns   |
| t <sub>AA</sub>                    | –                 | Address access time, A <sub>16-2</sub>                | –                                | 105 | –                                | 90  | ns   |
| t <sub>OH</sub>                    | t <sub>OHA</sub>  | Output hold time, A <sub>16-2</sub>                   | 20                               | –   | 20                               | –   | ns   |
| t <sub>AAP</sub>                   | –                 | Page mode access time, A <sub>1-0</sub>               | –                                | 40  | –                                | 30  | ns   |
| t <sub>OHP</sub>                   | –                 | Page mode output hold time, A <sub>1-0</sub>          | 3                                | –   | 3                                | –   | ns   |
| t <sub>CA</sub>                    | –                 | Chip enable active time                               | 70                               | –   | 60                               | –   | ns   |
| t <sub>PC</sub>                    | –                 | Precharge time  | 35                               | –   | 30                               | –   | ns   |
| t <sub>BA</sub>                    | t <sub>BW</sub>   | $\overline{UB}$ , $\overline{LB}$ access time         | –                                | 25  | –                                | 15  | ns   |
| t <sub>AS</sub>                    | t <sub>SA</sub>   | Address setup time (to $\overline{CE}$ LOW)           | 0                                | –   | 0                                | –   | ns   |
| t <sub>AH</sub>                    | t <sub>HA</sub>   | Address hold time ( $\overline{CE}$ Controlled)       | 70                               | –   | 60                               | –   | ns   |
| t <sub>OE</sub>                    | t <sub>DOE</sub>  | Output enable access time                             | –                                | 25  | –                                | 15  | ns   |
| t <sub>HZ</sub> <sup>[4, 5]</sup>  | t <sub>HZCE</sub> | Chip enable to output HI-Z                            | –                                | 15  | –                                | 10  | ns   |
| t <sub>OHZ</sub> <sup>[4, 5]</sup> | t <sub>HZOE</sub> | Output enable HIGH to output HI-Z                     | –                                | 15  | –                                | 10  | ns   |
| t <sub>BHZ</sub> <sup>[4, 5]</sup> | t <sub>HZBE</sub> | $\overline{UB}$ , $\overline{LB}$ HIGH to output HI-Z | –                                | 15  | –                                | 10  | ns   |

### Notes

- Test conditions assume a signal transition time of 3 ns or less, timing reference levels of  $0.5 \times V_{DD}$ , input pulse levels of 0 to 3 V, output loading of the specified  $I_{OL}/I_{OH}$  and 30-pF load capacitance shown in [AC Test Conditions on page 10](#).
- t<sub>HZ</sub>, t<sub>OHZ</sub> and t<sub>BHZ</sub> are specified with a load capacitance of 5 pF. Transition is measured when the outputs enter a high impedance state.
- This parameter is characterized but not 100% tested.

**AC Switching Characteristics** (continued)

 Over the [Operating Range](#)

| Parameters <sup>[3]</sup>         |                   | Description   | V <sub>DD</sub> = 2.0 V to 2.7 V |     | V <sub>DD</sub> = 2.7 V to 3.6 V |     | Unit |
|-----------------------------------|-------------------|---|----------------------------------|-----|----------------------------------|-----|------|
| Cypress Parameter                 | Alt Parameter     |   | Min                              | Max | Min                              | Max |      |
| <b>SRAM Write Cycle</b>           |                   |   |                                  |     |                                  |     |      |
| t <sub>WC</sub>                   | t <sub>WC</sub>   | Write cycle time  | 105                              | –   | 90                               | –   | ns   |
| t <sub>CA</sub>                   | –                 | Chip enable active time                                       | 70                               | –   | 60                               | –   | ns   |
| t <sub>CW</sub>                   | t <sub>SCE</sub>  | Chip enable to write enable HIGH                              | 70                               | –   | 60                               | –   | ns   |
| t <sub>PC</sub>                   | –                 | Precharge time  | 35                               | –   | 30                               | –   | ns   |
| t <sub>PWC</sub>                  | –                 | Page mode write enable cycle time                             | 40                               | –   | 30                               | –   | ns   |
| t <sub>WP</sub>                   | t <sub>PWE</sub>  | Write enable pulse width                                      | 22                               | –   | 18                               | –   | ns   |
| t <sub>WP2</sub>                  | t <sub>BW</sub>   | $\overline{UB}$ , $\overline{LB}$ pulse width                 | 22                               | –   | 18                               | –   | ns   |
| t <sub>WP3</sub>                  | t <sub>PWE</sub>  | $\overline{WE}$ LOW to $\overline{UB}$ , $\overline{LB}$ HIGH | 22                               | –   | 18                               | –   | ns   |
| t <sub>AS</sub>                   | t <sub>SA</sub>   | Address setup time (to $\overline{CE}$ LOW)                   | 0                                | –   | 0                                | –   | ns   |
| t <sub>AH</sub>                   | t <sub>HA</sub>   | Address hold time ( $\overline{CE}$ Controlled)               | 70                               | –   | 60                               | –   | ns   |
| t <sub>ASP</sub>                  | –                 | Page mode address setup time (to $\overline{WE}$ LOW)         | 8                                | –   | 5                                | –   | ns   |
| t <sub>AHP</sub>                  | –                 | Page mode address hold time (to $\overline{WE}$ LOW)          | 20                               | –   | 15                               | –   | ns   |
| t <sub>WLC</sub>                  | t <sub>PWE</sub>  | Write enable LOW to chip disabled                             | 30                               | –   | 25                               | –   | ns   |
| t <sub>BLC</sub>                  | t <sub>BW</sub>   | $\overline{UB}$ , $\overline{LB}$ LOW to chip disabled        | 30                               | –   | 25                               | –   | ns   |
| t <sub>WLA</sub>                  | –                 | Write enable LOW to address change, A <sub>16-2</sub>         | 30                               | –   | 25                               | –   | ns   |
| t <sub>AWH</sub>                  | –                 | Address change to write enable HIGH, A <sub>16-2</sub>        | 105                              | –   | 90                               | –   | ns   |
| t <sub>DS</sub>                   | t <sub>SD</sub>   | Data input setup time   | 20                               | –   | 15                               | –   | ns   |
| t <sub>DH</sub>                   | t <sub>HD</sub>   | Data input hold time  | 0                                | –   | 0                                | –   | ns   |
| t <sub>WZ</sub> <sup>[6, 7]</sup> | t <sub>HZWE</sub> | Write enable LOW to output HI-Z                               | –                                | 10  | –                                | 10  | ns   |
| t <sub>WX</sub> <sup>[7]</sup>    | –                 | Write enable HIGH to output driven                            | 8                                | –   | 5                                | –   | ns   |
| t <sub>BDS</sub>                  | –                 | Byte disable setup time (to $\overline{WE}$ LOW)              | 8                                | –   | 5                                | –   | ns   |
| t <sub>BDH</sub>                  | –                 | Byte disable hold time (to $\overline{WE}$ HIGH)              | 8                                | –   | 5                                | –   | ns   |

**Notes**

6. t<sub>WZ</sub> is specified with a load capacitance of 5 pF. Transition is measured when the outputs enter a high-impedance state.
7. This parameter is characterized but not 100% tested.

Figure 8. Read Cycle Timing 1 ( $\overline{CE}$  LOW,  $\overline{OE}$  LOW)

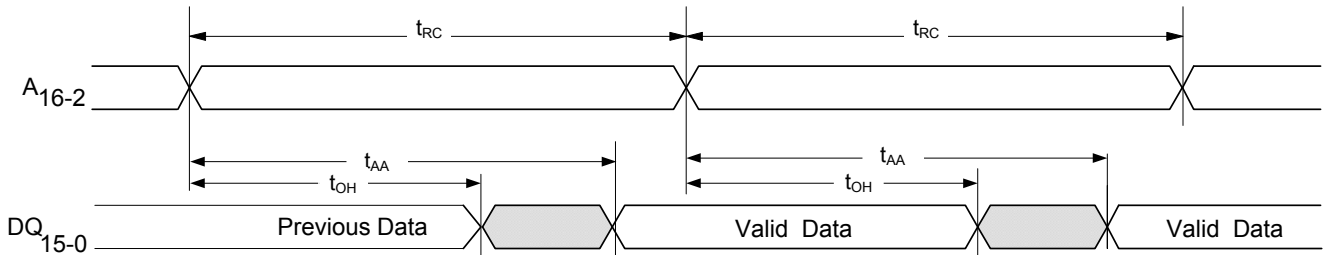


Figure 9. Read Cycle Timing 2 ( $\overline{CE}$  Controlled)

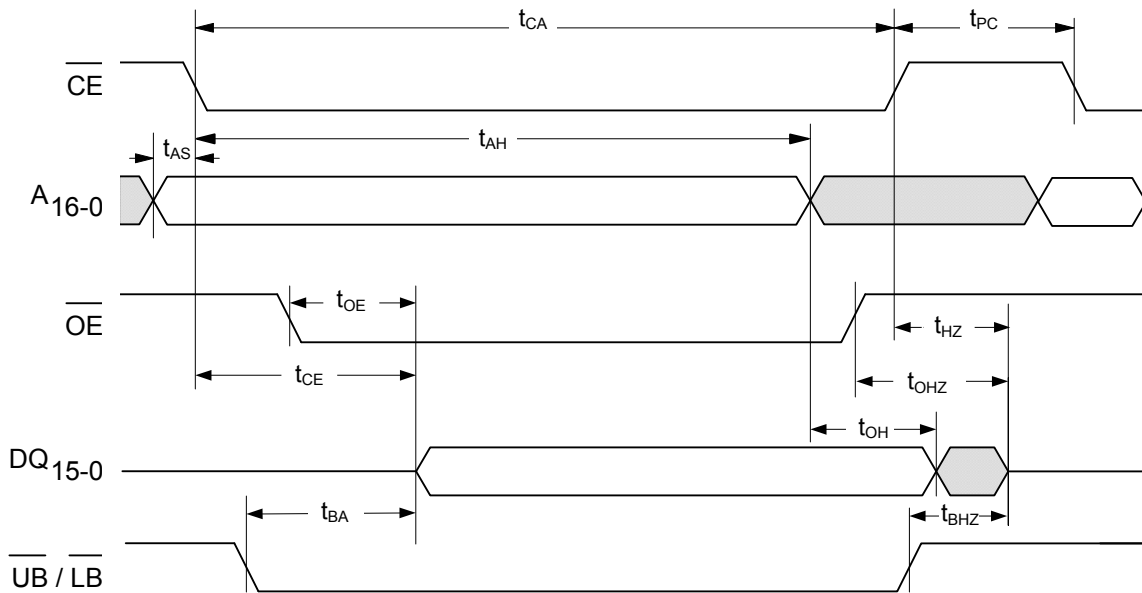
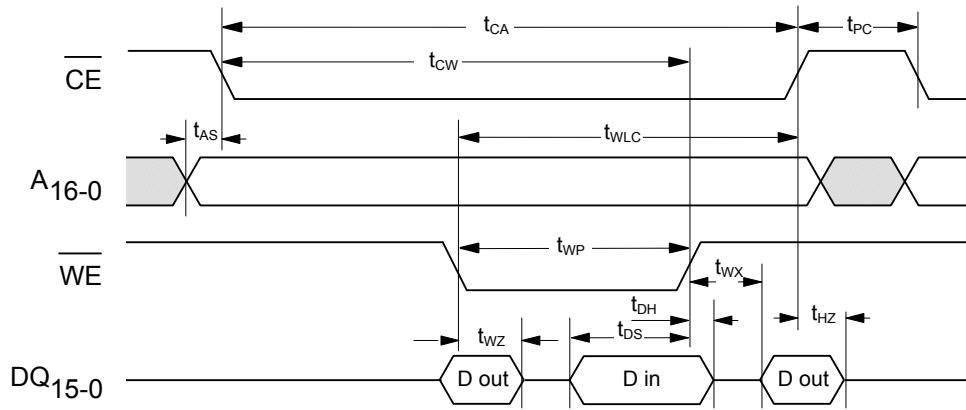
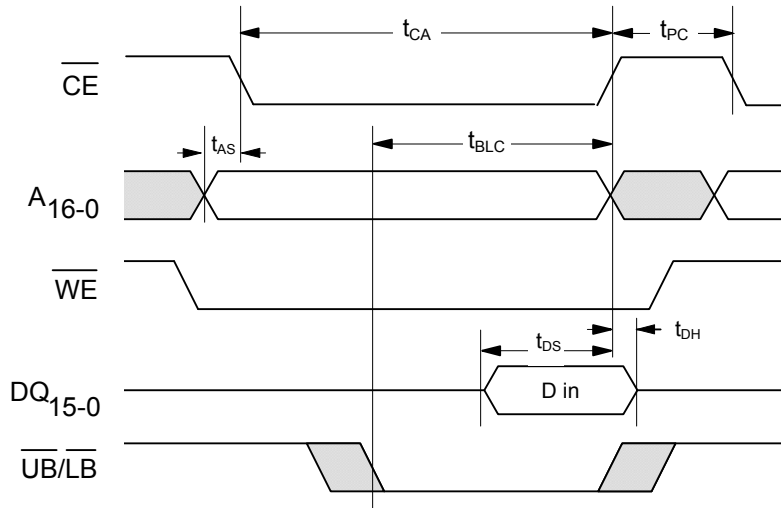


Figure 10. Page Mode Read Cycle Timing [8]



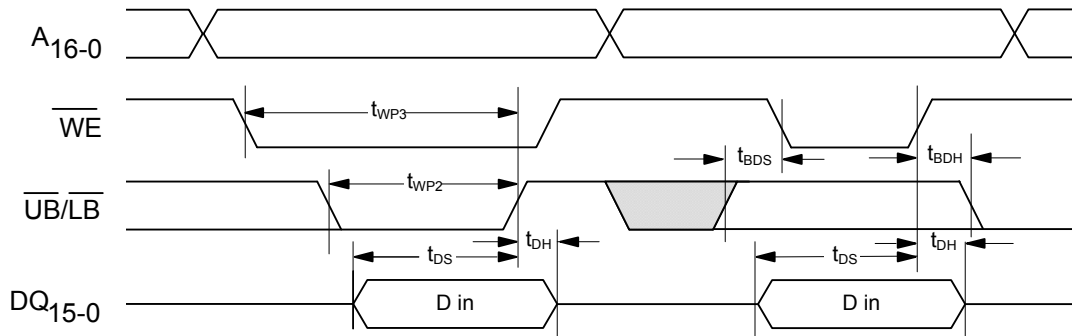
Note

8. Although sequential column addressing is shown, it is not required.

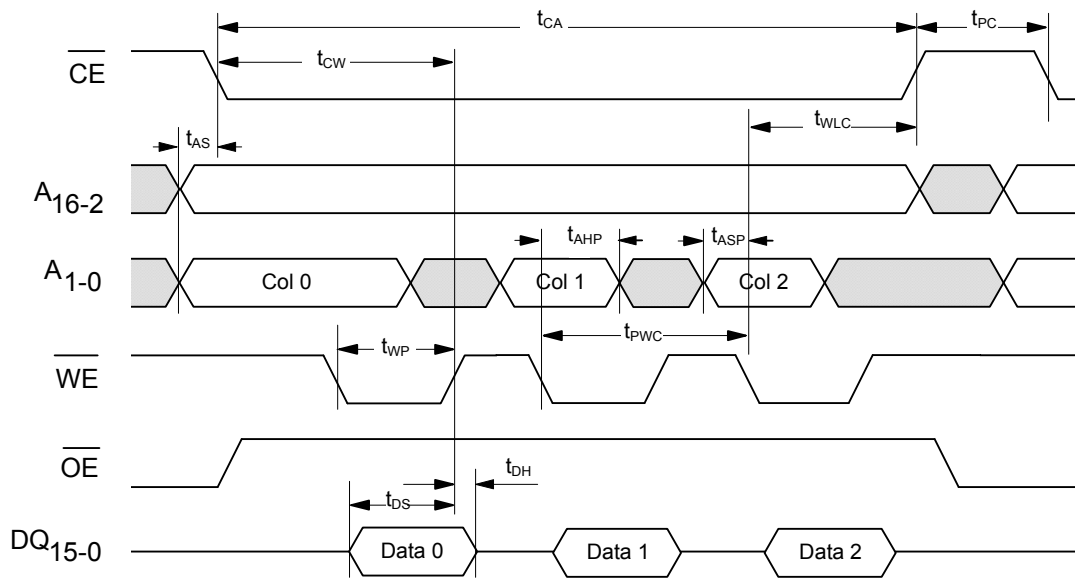
**Figure 11. Write Cycle Timing 1 ( $\overline{WE}$  Controlled) [9]**

**Figure 12. Write Cycle Timing 2 ( $\overline{CE}$  Controlled)**

**Figure 13. Write Cycle Timing 3 ( $\overline{CE}$  LOW) [9]**


**Note**  
 9.  $\overline{OE}$  (not shown) is LOW only to show the effect of  $\overline{WE}$  on DQ pins.

**Figure 14. Write Cycle Timing 4 ( $\overline{CE}$  LOW) <sup>[10]</sup>**



**Figure 15. Page Mode Write Cycle Timing**



**Note**  
10.  $\overline{UB}$  and  $\overline{LB}$  to show byte enable and byte masking cases.

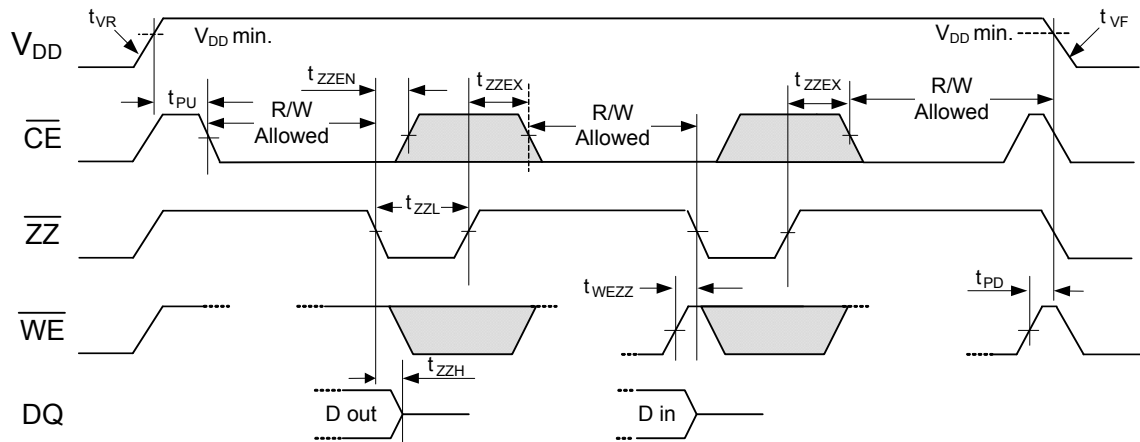


## Power Cycle and Sleep Mode Timing

Over the [Operating Range](#)

| Parameter       | Description   | Min | Max | Unit            |
|-----------------|---|-----|-----|-----------------|
| $t_{PU}$        | Power-up (after $V_{DD}$ min. is reached) to first access time                      | 1   | –   | ms              |
| $t_{PD}$        | Last write ( $\overline{WE}$ HIGH) to power down time                               | 0   | –   | ms              |
| $t_{VR}^{[11]}$ | $V_{DD}$ power-up ramp rate   | 50  | –   | $\mu\text{s/V}$ |
| $t_{VF}^{[11]}$ | $V_{DD}$ power-down ramp rate   | 100 | –   | $\mu\text{s/V}$ |
| $t_{ZZH}$       | $\overline{ZZ}$ active to DQ HI-Z time  | –   | 20  | ns              |
| $t_{WEZZ}$      | Last write to sleep mode entry time   | 0   | –   | $\mu\text{s}$   |
| $t_{ZZL}$       | $\overline{ZZ}$ active LOW time   | 1   | –   | $\mu\text{s}$   |
| $t_{ZZEN}$      | Sleep mode entry time ( $\overline{ZZ}$ LOW to $\overline{CE}$ don't care)          | –   | 0   | $\mu\text{s}$   |
| $t_{ZZEX}$      | Sleep mode exit time ( $\overline{ZZ}$ HIGH to 1 <sup>st</sup> access after wakeup) | –   | 450 | $\mu\text{s}$   |

Figure 16. Power Cycle and Sleep Mode Timing



**Note**

11. Slope measured at any point on the  $V_{DD}$  waveform.

**Functional Truth Table**

| $\overline{CE}$ | $\overline{WE}$ | $A_{16-2}$ | $A_{1-0}$ | $\overline{ZZ}$ | Operation <sup>[12, 13]</sup>                         |
|-----------------|-----------------|------------|-----------|-----------------|---|
| X               | X               | X          | X         | L               | Sleep Mode  |
| H               | X               | X          | X         | H               | Standby/Idle  |
| ↓<br>L          | H<br>H          | V<br>V     | V<br>V    | H<br>H          | Read  |
| L               | H               | No Change  | Change    | H               | Page Mode Read  |
| L               | H               | Change     | V         | H               | Random Read   |
| ↓<br>L          | L<br>L          | V<br>V     | V<br>V    | H<br>H          | $\overline{CE}$ -Controlled Write <sup>[13]</sup>     |
| L               | ↓               | V          | V         | H               | $\overline{WE}$ -Controlled Write <sup>[13, 14]</sup> |
| L               | ↓               | No Change  | V         | H               | Page Mode Write <sup>[15]</sup>                       |
| ↑<br>L          | X<br>X          | X<br>X     | X<br>X    | H<br>H          | Starts precharge                                      |

**Byte Select Truth Table**

| $\overline{WE}$ | $\overline{OE}$ | $\overline{LB}$ | $\overline{UB}$ | Operation <sup>[16]</sup>         |
|-----------------|-----------------|-----------------|-----------------|-----------------------------------|
| H               | H               | X               | X               | Read; Outputs disabled            |
|                 | X               | H               | H               |                                   |
| H               | L               | H               | L               | Read upper byte; HI-Z lower byte  |
|                 |                 | L               | H               | Read lower byte; HI-Z upper byte  |
|                 |                 | L               | L               | Read both bytes                   |
| L               | X               | H               | L               | Write upper byte; Mask lower byte |
|                 |                 | L               | H               | Write lower byte; Mask upper byte |
|                 |                 | L               | L               | Write both bytes                  |

**Notes**

12. H = Logic HIGH, L = Logic LOW, V = Valid Data, X = Don't Care, ↓ = toggle LOW, ↑ = toggle HIGH.

13. For write cycles, data-in is latched on the rising edge of  $\overline{CE}$  or  $\overline{WE}$ , whichever comes first.

14.  $\overline{WE}$ -controlled write cycle begins as a Read cycle and then  $A_{16-2}$  is latched.

15. Addresses  $A_{1-0}$  must remain stable for at least 15 ns during page mode operation.

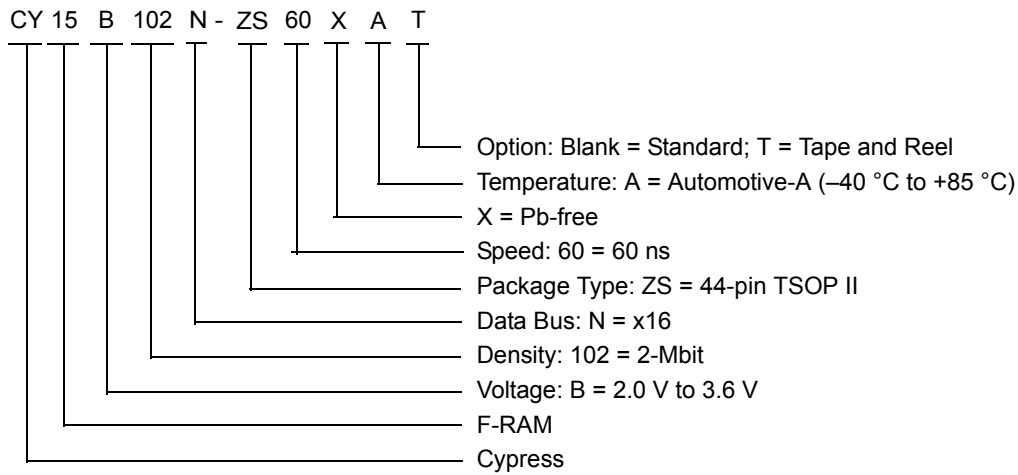
16. The  $\overline{UB}$  and  $\overline{LB}$  pins may be grounded if 1) the system does not perform byte writes and 2) the device is not configured as a 256K x 8.

### Ordering Information

| Access Time (ns) | Ordering Code     | Package Diagram | Package Type                                | Operating Range |
|------------------|-------------------|-----------------|---|-----------------|
| 60               | CY15B102N-ZS60XAT | 51-85087        | 44-pin TSOP II with software WP, sleep mode | Automotive-A    |
|                  | CY15B102N-ZS60XA  |                 |   |                 |

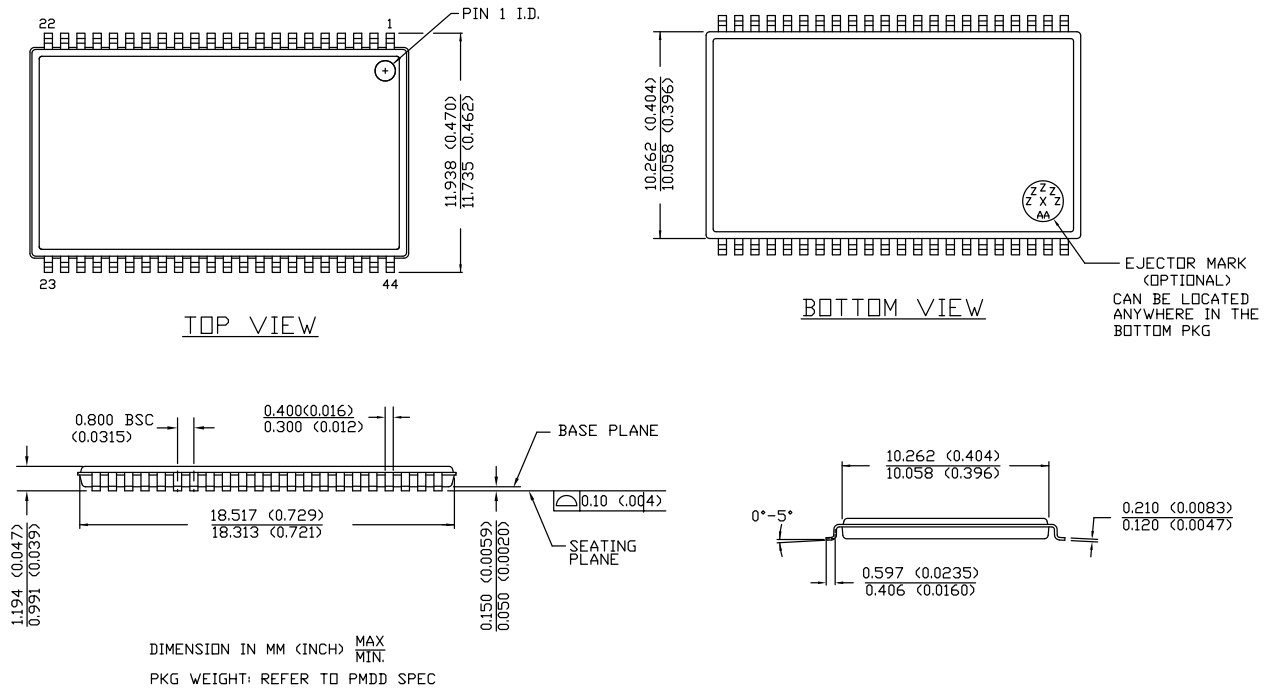
All the above parts are Pb-free.

### Ordering Code Definitions



Package Diagram

Figure 17. 44-pin TSOP Package Outline, 51-85087



51-85087 \*E

## Acronyms

| Acronym         | Description                             |
|-----------------|---|
| $\overline{UB}$ | Upper Byte                              |
| $\overline{LB}$ | Lower Byte                              |
| $\overline{CE}$ | Chip Enable                             |
| CMOS            | Complementary Metal Oxide Semiconductor |
| EIA             | Electronic Industries Alliance          |
| F-RAM           | Ferroelectric Random Access Memory      |
| I/O             | Input/Output                            |
| $\overline{OE}$ | Output Enable                           |
| RoHS            | Restriction of Hazardous Substances     |
| RW              | Read and Write                          |
| SRAM            | Static Random Access Memory             |
| TSOP            | Thin Small Outline Package              |
| $\overline{WE}$ | Write Enable                            |

## Document Conventions

### Units of Measure

| Symbol             | Unit of Measure |
|--------------------|-----------------|
| $^{\circ}\text{C}$ | degree Celsius  |
| Hz                 | hertz           |
| kHz                | kilohertz       |
| $\text{k}\Omega$   | kiloohm         |
| MHz                | megahertz       |
| $\text{M}\Omega$   | megaohm         |
| $\mu\text{A}$      | microampere     |
| $\mu\text{F}$      | microfarad      |
| $\mu\text{s}$      | microsecond     |
| $\text{mA}$        | milliampere     |
| ms                 | millisecond     |
| ns                 | nanosecond      |
| $\Omega$           | ohm             |
| %                  | percent         |
| $\text{pF}$        | picofarad       |
| V                  | volt            |
| W                  | watt            |

## Document History Page

| Document Title: CY15B102N, 2-Mbit (128K × 16) Automotive F-RAM Memory |         |                 |                 |  |
|---|---------|-----------------|-----------------|--|
| Document Number: 001-93140  |         |                 |                 |  |
| Rev.  | ECN No. | Orig. of Change | Submission Date | Description of Change  |
| **  | 4425046 | GVCH            | 07/22/2014      | New data sheet.  |
| *A  | 4743648 | GVCH            | 04/27/2015      | Changed status from Advance to Preliminary.<br>Updated to new template.<br>Completing Sunset Review.   |
| *B  | 4774256 | GVCH            | 06/04/2015      | Changed status from Preliminary to Final.<br>Updated <a href="#">AC Switching Characteristics</a> :<br>Added a column "V <sub>DD</sub> = 2.0 V to 2.7 V" and included details of all parameters in the same column.  |
| *C  | 4883462 | ZSK / PSR       | 09/04/2015      | Updated <a href="#">Functional Description</a> :<br>Added "For a complete list of related resources, <a href="#">click here</a> ." at the end.<br>Updated <a href="#">Maximum Ratings</a> :<br>Removed "Maximum junction temperature".<br>Added "Maximum accumulated storage time".<br>Added "Ambient temperature with power applied". |
| *D  | 5975027 | AESATMP9        | 11/23/2017      | Updated logo and copyright.  |

## Sales, Solutions, and Legal Information

### Worldwide Sales and Design Support

Cypress maintains a worldwide network of offices, solution centers, manufacturer's representatives, and distributors. To find the office closest to you, visit us at [Cypress Locations](#).

#### Products

|                               |  |
|-------------------------------|--|
| ARM® Cortex® Microcontrollers | <a href="http://cypress.com/arm">cypress.com/arm</a>               |
| Automotive                    | <a href="http://cypress.com/automotive">cypress.com/automotive</a> |
| Clocks & Buffers              | <a href="http://cypress.com/clocks">cypress.com/clocks</a>         |
| Interface                     | <a href="http://cypress.com/interface">cypress.com/interface</a>   |
| Internet of Things            | <a href="http://cypress.com/iot">cypress.com/iot</a>               |
| Memory                        | <a href="http://cypress.com/memory">cypress.com/memory</a>         |
| Microcontrollers              | <a href="http://cypress.com/mcu">cypress.com/mcu</a>               |
| PSoC                          | <a href="http://cypress.com/psoc">cypress.com/psoc</a>             |
| Power Management ICs          | <a href="http://cypress.com/pmic">cypress.com/pmic</a>             |
| Touch Sensing                 | <a href="http://cypress.com/touch">cypress.com/touch</a>           |
| USB Controllers               | <a href="http://cypress.com/usb">cypress.com/usb</a>               |
| Wireless Connectivity         | <a href="http://cypress.com/wireless">cypress.com/wireless</a>     |

#### PSoC® Solutions

[PSoC 1](#) | [PSoC 3](#) | [PSoC 4](#) | [PSoC 5LP](#) | [PSoC 6](#)

#### Cypress Developer Community

[Forums](#) | [WICED IOT Forums](#) | [Projects](#) | [Video](#) | [Blogs](#) | [Training](#) | [Components](#)

#### Technical Support

[cypress.com/support](http://cypress.com/support)

---

© Cypress Semiconductor Corporation, 2014-2017. This document is the property of Cypress Semiconductor Corporation and its subsidiaries, including Spansion LLC ("Cypress"). This document, including any software or firmware included or referenced in this document ("Software"), is owned by Cypress under the intellectual property laws and treaties of the United States and other countries worldwide. Cypress reserves all rights under such laws and treaties and does not, except as specifically stated in this paragraph, grant any license under its patents, copyrights, trademarks, or other intellectual property rights. If the Software is not accompanied by a license agreement and you do not otherwise have a written agreement with Cypress governing the use of the Software, then Cypress hereby grants you a personal, non-exclusive, nontransferable license (without the right to sublicense) (1) under its copyright rights in the Software (a) for Software provided in source code form, to modify and reproduce the Software solely for use with Cypress hardware products, only internally within your organization, and (b) to distribute the Software in binary code form externally to end users (either directly or indirectly through resellers and distributors), solely for use on Cypress hardware product units, and (2) under those claims of Cypress's patents that are infringed by the Software (as provided by Cypress, unmodified) to make, use, distribute, and import the Software solely for use with Cypress hardware products. Any other use, reproduction, modification, translation, or compilation of the Software is prohibited.

TO THE EXTENT PERMITTED BY APPLICABLE LAW, CYPRESS MAKES NO WARRANTY OF ANY KIND, EXPRESS OR IMPLIED, WITH REGARD TO THIS DOCUMENT OR ANY SOFTWARE OR ACCOMPANYING HARDWARE, INCLUDING, BUT NOT LIMITED TO, THE IMPLIED WARRANTIES OF MERCHANTABILITY AND FITNESS FOR A PARTICULAR PURPOSE. To the extent permitted by applicable law, Cypress reserves the right to make changes to this document without further notice. Cypress does not assume any liability arising out of the application or use of any product or circuit described in this document. Any information provided in this document, including any sample design information or programming code, is provided only for reference purposes. It is the responsibility of the user of this document to properly design, program, and test the functionality and safety of any application made of this information and any resulting product. Cypress products are not designed, intended, or authorized for use as critical components in systems designed or intended for the operation of weapons, weapons systems, nuclear installations, life-support devices or systems, other medical devices or systems (including resuscitation equipment and surgical implants), pollution control or hazardous substances management, or other uses where the failure of the device or system could cause personal injury, death, or property damage ("Unintended Uses"). A critical component is any component of a device or system whose failure to perform can be reasonably expected to cause the failure of the device or system, or to affect its safety or effectiveness. Cypress is not liable, in whole or in part, and you shall and hereby do release Cypress from any claim, damage, or other liability arising from or related to all Unintended Uses of Cypress products. You shall indemnify and hold Cypress harmless from and against all claims, costs, damages, and other liabilities, including claims for personal injury or death, arising from or related to any Unintended Uses of Cypress products.

Cypress, the Cypress logo, Spansion, the Spansion logo, and combinations thereof, WICED, PSoC, CapSense, EZ-USB, F-RAM, and Traveo are trademarks or registered trademarks of Cypress in the United States and other countries. For a more complete list of Cypress trademarks, visit [cypress.com](http://cypress.com). Other names and brands may be claimed as property of their respective owners.