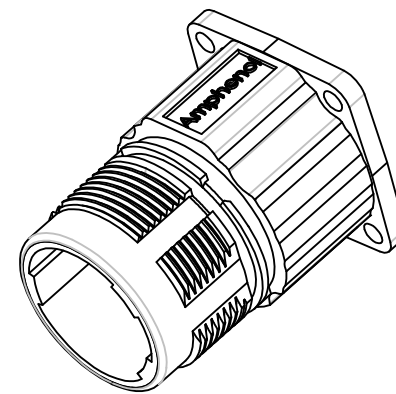


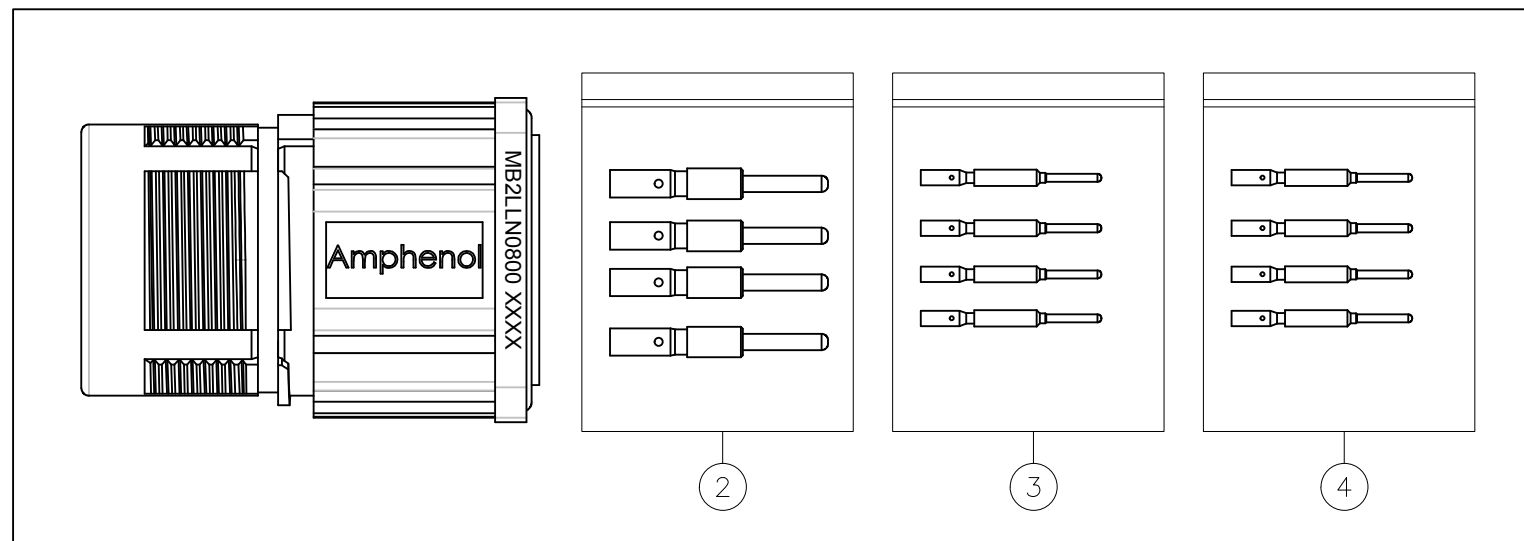
MOUNTING HOLE



REVISIONS					
REV	ECO	DESCRIPTION	DATE	BY	APPR
A1	-	FIRST RELEASE	Jun.27,2015	Drack	Tommy
A2	-	UPDATE DRAWING	Nov.6,2017	White	Tommy

NOTES: UNLESS OTHERWISE SPECIFIED

- MATERIAL:
INSULATION INSERT:PA66,UL94 V0
SEAL: VITON
HOUSING BODY: ZINC DIE CAST, NICKEL PLATED
CONTACT: COPPER ALLOY, GOLD PLATED
- SPECIFICATIONS:
 - CURRENT RATING: SIGNAL: 10 AMPS
POWER: 30AMPS
 - VOLTAGE RATING: SIGNAL: 250V AC/DC
POWER: 630V AC/DC
 - CONTACT RESISTANCE: SIGNAL: <5 mOHMS
POWER: <3 mOHMS
 - OPERATING TEMPERATURE: -20°C TO +130°C
 - DIELECTRIC WITHSTANDING VOLTAGE: LESS THAN 2 MILLIAMPS CURRENT LEAKAGE @ SIGNAL: 2500VOLTS AC.
POWER: 6000 VOLTS AC.
 - DEGREE OF PROTECTION: IP67 (MATED CONDITION)
 - DEGREE OF POLLUTION: 3 PER UL840
 - OVERVOLTAGE CATEGORY: III PER UL840
 - MATING CYCLE DURABILITY: >500 CYCLES
 - RoHS COMPLIANT
- ALL DIMENSIONS ARE FOR REFERENCE USE ONLY.



QUANTITY	PART NUMBER	DESCRIPTION	ITEM
4	SC000146	CONTACT, PIN, Ø1.0mm ,Crimp 28~24AWG	4
4	SC000035	CONTACT, PIN, Ø1.0mm ,Crimp 22~18AWG	3
4	SC000036	CONTACT, PIN, Ø2.0mm ,Crimp 14~18AWG	2
1	MB2LLN0800	CONNECTOR	1

SIGNATURES		DATE	MATERIALS LIST			
DRAWN:	White	Nov.6,2017	<h1>Amphenol</h1> <p>Sine Systems - www.amphenol-sine.com 44724 Morley Drive Clinton Township, MI 48036</p> <p>KIT:M23,B SERIES,RECEPTACLE, 8 POS(4+4),PIN CONTACT</p>			
CHECKED:	Tod	Nov.6,2017				
ENGINEER:						
APPROVAL:	Tommy	Nov.6,2017	SIZE	TYPE	DWG NO:	REVISION
MATERIAL SPECIFICATIONS:			B	C-	MB2LLN0800-KIT	A2
PROCESS SPECIFICATIONS:			SCALE	NONE	SHEET	1 OF 1
NEXT ASSY:						

TITLE: KIT:M23,B SERIES,RECEPTACLE,8 POS(4+4),PIN CONTACT
DWG NO: MB2LLN0800-KIT
REV: A2
SH: 1 OF: 1