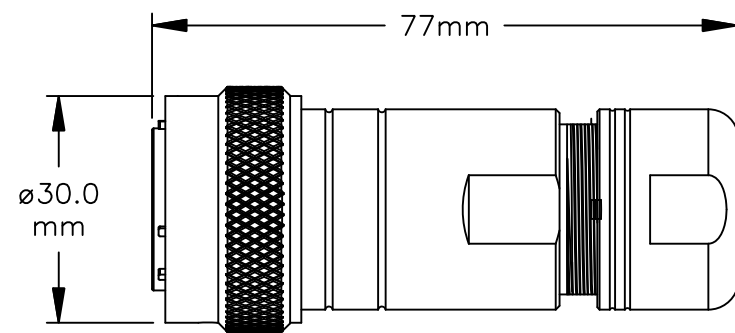
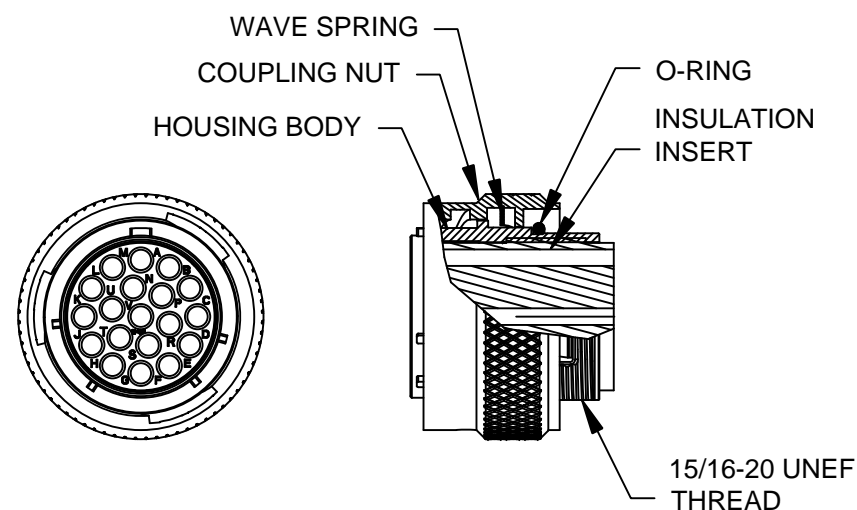


REVISIONS					
REV	ECD	DESCRIPTION	DATE	BY	APPR
01	-	RELEASE NEW DWG FORMAT	-	-	-



ASSEMBLED VIEW



NOTES:

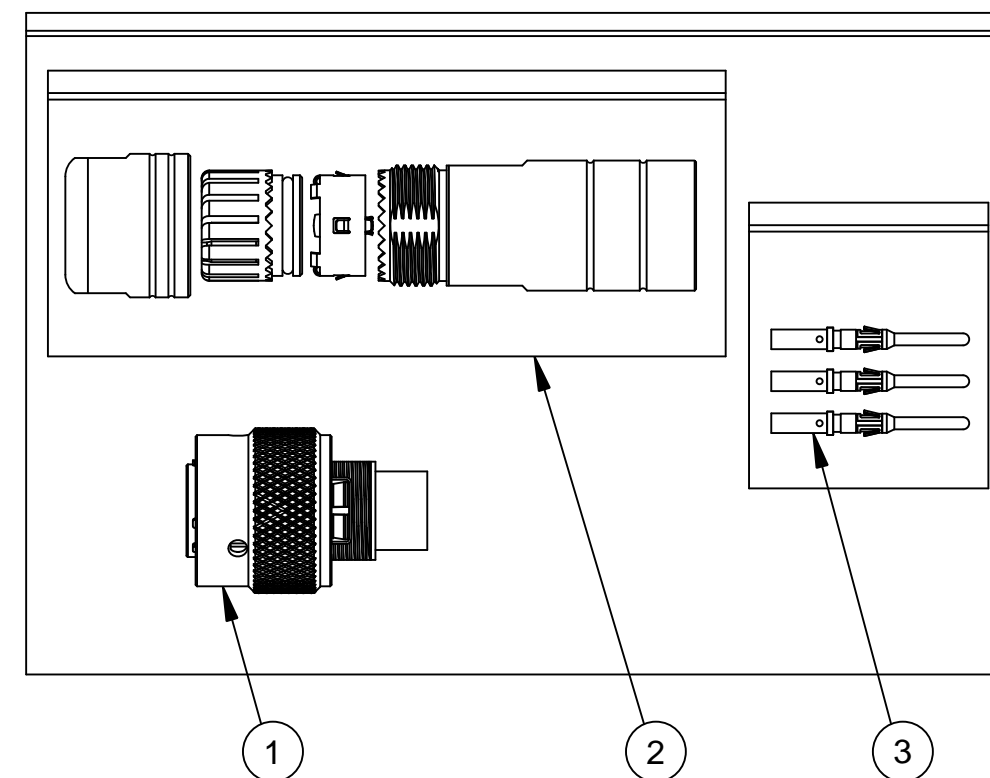
- 1) CORD GRIP RANGE: 3mm TO 6.5mm
- 2) CONTACT BARREL RANGE: 16AWG TO 18AWG
- 3) RECOMMENDED CRIMP TOOLS:  
HAND CRIMPER: MFX-3959  
PNEUMATIC CRIMPER: MFX-3960
- 4) EXTRACTION TOOL: QXRT16
- 5) MATERIALS:  
HOUSING BODY: ZINC DIE CAST, NICKEL PLATED  
COUPLING NUT: ALUMINUM ALLOY, NICKEL PLATED  
WAVE SPRING: STAINLESS STEEL  
INSULATION INSERT: PA66, UL94/V-0  
CONTACT: BRASS, GOLD FLASH PLATED  
SEAL AND O-RING: NBR (NITRILE BUTADIENE RUBBER)
- 6) ELECTRICAL DATA:
  - a) CURRENT (MAX): 13A
  - b) VOLTAGE (MAX): 250V AC/DC
  - c) INSULATION RESISTANCE (MIN): 5000M OHMS
  - d) TEST VOLTAGE (BETWEEN CONTACTS): 3050V

7) TECHNICAL DATA:

- a) TEMPERATURE RANGE: -40°C TO 105°C
- b) PROTECTION: IP67 (MATED CONDITION)
- c) MATING CYCLES: >500
- d) VIBRATION RESISTANCE PER MIL-STD-202 METHOD 204
- e) THERMAL SHOCK PER MIL-STD-202 METHOD 207
- f) 48 HOUR SALT SPRAY PER MIL-STD-202 METHOD 101

8) RoHS COMPLIANT

ILLUSTRATION: COMPLETE KIT



QUANTITY	PART NUMBER	DESCRIPTION	ITEM
19	MP16M23F	CONTACT, PIN, SIZE 16	3
1	RT0L-16CG-S1	CORD GRIP	2
1	RT061619PNH	CONNECTOR	1

MATERIALS LIST

UNLESS OTHERWISE SPECIFIED		SIGNATURES		DATE		<h1 style="text-align: center;">Amphenol</h1> <p style="text-align: center;">Sine Systems - www.amphenol-sine.com 44724 Morley Drive Clinton Township, MI 48036</p> <p style="text-align: center; font-weight: bold;">KIT, ECO-MATE</p>											
1) All dimensions are in metric(mm).		DRAWN: MRF		10SEP13													
2) Tolerances are as follows:		CHECKED:															
1 PL DEC ±0.30 2 PL DEC ±0.15 3 PL DEC ±0.08		ENGINEER:															
3) Note reference =		APPROVAL:				<table border="1" style="width: 100%;"> <tr> <td>SIZE</td> <td>TYPE</td> <td>DWG NO.</td> <td>REVISION</td> </tr> <tr> <td>B</td> <td>C-</td> <td>RT061619PNH-K</td> <td>01</td> </tr> </table>				SIZE	TYPE	DWG NO.	REVISION	B	C-	RT061619PNH-K	01
SIZE	TYPE	DWG NO.	REVISION														
B	C-	RT061619PNH-K	01														
MATERIAL SPECIFICATIONS:		CUSTOMER:				<table border="1" style="width: 100%;"> <tr> <td>SCALE</td> <td colspan="2">SHEET</td> <td>OF</td> </tr> <tr> <td>NONE</td> <td colspan="2">1</td> <td>1</td> </tr> </table>				SCALE	SHEET		OF	NONE	1		1
SCALE	SHEET		OF														
NONE	1		1														
PROCESS SPECIFICATIONS:		THIS DRAWING IS SUPPLIED FOR INFORMATION ONLY. DESIGN FEATURES, SPECIFICATIONS AND PERFORMANCE DATA SHOWN HEREON ARE THE PROPERTY OF THE AMPHENOL CORPORATION. NO RIGHTS OF REPRODUCTION ARE IMPLIED. ALL DIMENSIONS ARE SUBJECT TO NORMAL MANUFACTURING VARIATIONS.															
NEXT ASSY:																	

TITLE:

KIT, ECO-MATE

DWG NO:

REV: 01

SH: 1

DF: 1