

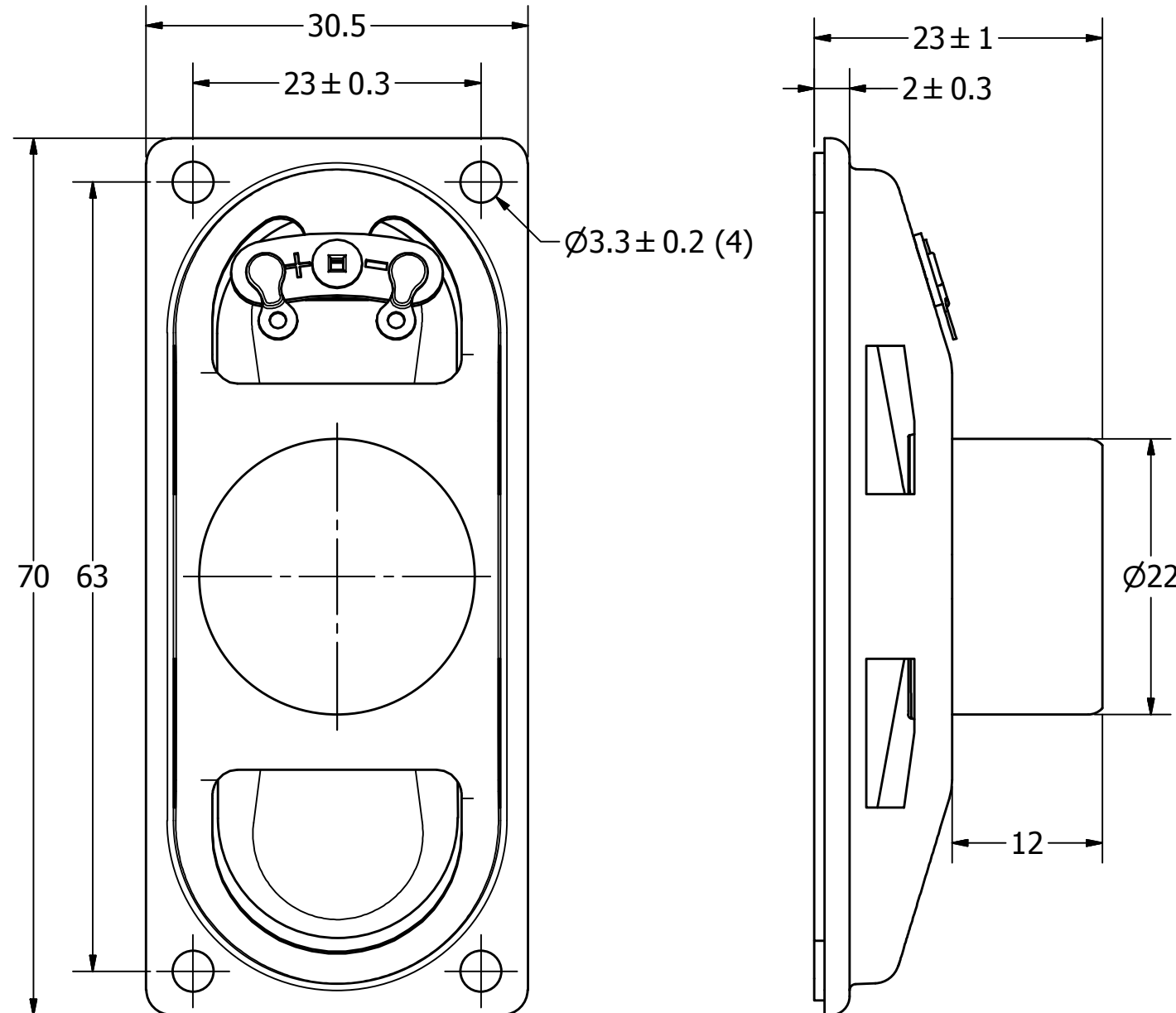
SPECIFICATIONS

PARAMETERS	VALUES	UNITS
RATED INPUT POWER	2	W
MAX INPUT POWER	5	W
IMPEDANCE	4 ± 15%	OHM
OUTPUT SPL @ 1W/0.5M (AT 0.6, 0.8, 1.0, 1.2 kHz)	86 ± 3	dB
DISTORTION (MAX.)	5%	-
RESONANT FREQUENCY	300 ± 70	Hz
FREQUENCY RANGE	100 ~ 20,000	Hz
HOUSING MATERIAL	METAL	-
CONE MATERIAL	PAPER	-
MAGNET MATERIAL	Nd-Fe-B	-
OPERATING TEMPERATURE	-20 ~ +60	°C
WEIGHT	35	grams

THIS DOCUMENT CONTAINS DATA PROPRIETARY TO PROJECTS UNLIMITED, INC. ANY USE OR REPRODUCTION, IN ANY FORM, WITHOUT PRIOR WRITTEN PERMISSION OF PROJECTS UNLIMITED, INC. IS PROHIBITED.
©2003, Projects Unlimited Inc.

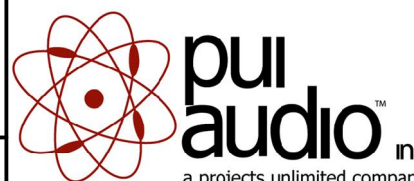
REVISION HISTORY

LTR	DESCRIPTION	DATE	APPROVED
-	RELEASED FROM ENGINEERING	4/12/2006	
A	REVISED TO INVENTOR 3-D DRAWING TEMPLATE	10/9/2006	B.R.
B	REVISED FLANGE HEIGHT DIMENSION	8/16/2011	C.W.
C	REVISED SPL TEST PARAMETERS	3/12/2015	M.L.



NOTES:

1. ALL DIMENSIONS ARE IN MILLIMETERS.
2. SPECIFICATIONS SUBJECT TO CHANGE OR WITHDRAWAL WITHOUT NOTICE.
3. THIS PART IS RoHS 2011/65/EU COMPLIANT.

UNLESS OTHERWISE SPECIFIED: DIMENSIONS ARE IN MILLIMETERS, TOLERANCES ARE ±0.5 AND ANGLES ARE ±3°.	SIZE A3	Designed by	Date	Checked by	Date	Approved by	Date	Drawn Date
		B.R.	4/11/2006	B.R.	4/11/2006	E.P.	4/11/2006	10/9/2008
AS07004PO-R.idw		 pui audio inc <small>a projects unlimited company</small>		AS07004PO-R				
Speaker						Edition	Sheet	
						-	1 / 1	