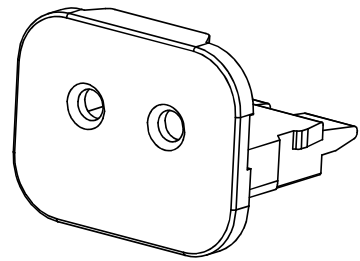
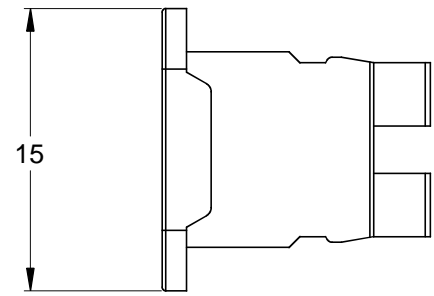
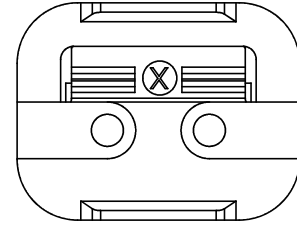
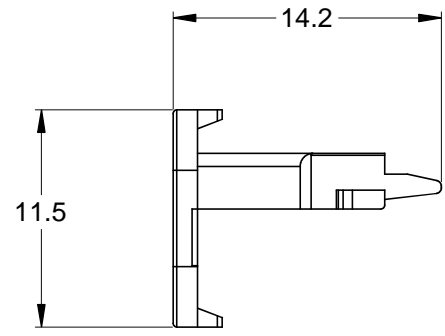


REVISIONS					
REV	ECO	DESCRIPTION	DATE	BY	APPR
A2		RELEASE NEW DWG FORMAT	18/SEP/13	DRP	



NOTES: UNLESS OTHERWISE SPECIFIED

1. MATERIAL: THERMOPLASTIC; COLOR: BLACK
2. RoHS COMPLIANT
3. CAVITIES: 2
4. KEYED: N/A
5. USE WITH CONNECTORS AT06-2S-LEDXX01 (XX = LED VOLTAGE RATING)
6. ALL DIMENSIONS ARE FOR REFERENCE USE ONLY.

AW2S-LED									
QUANTITY	PART NUMBER	DESCRIPTION			ITEM				
MATERIALS LIST									
<p>UNLESS OTHERWISE SPECIFIED</p> <p>1) All dimensions are in metric(mm).</p> <p>2) Tolerances are as follows:</p> <table border="0"> <tr> <td>1 PL DEC ±0.30</td> <td rowspan="3">Fractions ±1/64</td> </tr> <tr> <td>2 PL DEC ±0.15</td> </tr> <tr> <td>3 PL DEC ±0.08</td> </tr> </table> <p>Angles ±1°</p> <p>3) Note reference = </p>		1 PL DEC ±0.30	Fractions ±1/64	2 PL DEC ±0.15	3 PL DEC ±0.08	<p>SIGNATURES</p> <p>DRAWN: D.PARKS</p> <p>CHECKED:</p> <p>ENGINEER:</p> <p>APPROVAL:</p>		<p>DATE</p> <p>18/SEP/13</p>	
1 PL DEC ±0.30	Fractions ±1/64								
2 PL DEC ±0.15									
3 PL DEC ±0.08									
<p>MATERIAL SPECIFICATIONS:</p>		<p>CUSTOMER:</p>		<h1>Amphenol</h1> <p>Sine Systems - www.amphenol-sine.com 44724 Morley Drive Clinton Township, MI 48036</p>					
<p>PROCESS SPECIFICATIONS:</p>		<p>THIS DRAWING IS SUPPLIED FOR INFORMATION ONLY. DESIGN FEATURES, SPECIFICATIONS AND PERFORMANCE DATA SHOWN HEREON ARE THE PROPERTY OF THE AMPHENOL CORPORATION. NO RIGHTS OF REPRODUCTION ARE IMPLIED. ALL DIMENSIONS ARE SUBJECT TO NORMAL MANUFACTURING VARIATIONS.</p>							
<p>NEXT ASSY:</p>		<p>SIZE: A TYPE: C- DWG NO: AW2S-LED REVISION: A2</p>							
		<p>SCALE: NONE</p>		<p>SHEET 1 OF 1</p>					