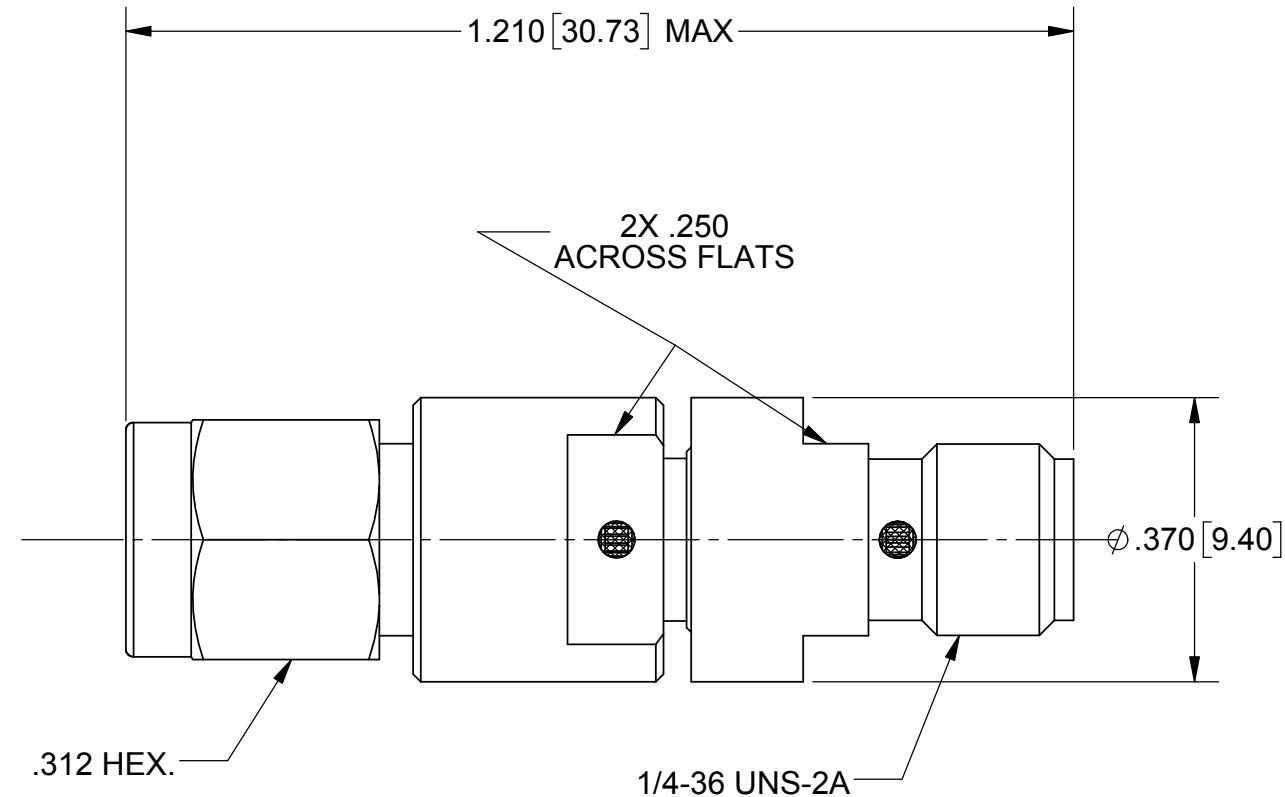
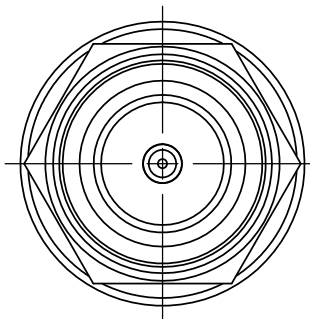
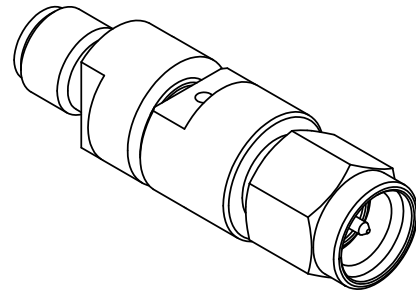


# PRODUCT DATA DRAWING

REVISION HISTORY			
REV	DESCRIPTION	DATE	APPROVED
E	DCN 41727	10/15	DAL
F	DCN 43286	04/17	STW



**MATERIAL:**

**BODY & COUPLING NUT:** STAINLESS STEEL PER AMS-5640, ALLOY UNS S30300, TYPE 1, OR ASTM A582, TYPE 303

**LOCK RING & CONTACTS** BERYLLIUM COPPER PER ASTM B196, ALLOY No. UNS C17300, TD04

**SLEEVE:** BRASS PER ASTM B16, ALLOY UNS No. C36000

**BELLOWS SPRING:** ELECTRO DEPOSITED NICKEL: GOLD PLATED

**INSULATORS:** PTFE PER ASTM D1710, TYPE I, GRADE 1, CLASS B

**GASKET:** SILICONE RUBBER PER A-A-59588, CLASS 2B, GRADE 60/70

**RESISTOR ELEMENT:** ALUMINUM NITRIDE SUBSTRATE WITH TANTALUM NITRIDE RESISTOR: GOLD PLATED TERMINATIONS

**FINISH:**

**BODY & COUPLING NUT:** PASSIVATED PER AMS-2700

**CONTACTS & SLEEVE:** GOLD PER ASTM B488, TYPE II, CODE C, CLASS 1.27, OVER NICKEL PER AMS-QQ-N-290, CLASS 1, .00005" MIN.

**PERFORMANCE:**

**IMPEDANCE:** 50 OHMS  
**FREQ. RANGE:** DC TO 18.0 GHz

**ELECTRICAL CHARACTERISTICS**

ATTENUATOR INCREMENT (dB)	ATTENUATION ACCURACY (dB)	VSWR		
		DC TO 4 GHz	4 TO 12.4 GHz	12.4 TO 18.0 GHz
0 TO .5	+0.00 -0.30	1.15	1.25	1.35
1 TO 6	+/- .3			
7 TO 15	+/- .5			
16 TO 20	+/- .7			
30 TO 40	+/- 1.00			

**NOTES:**

1. REPLACE "XX" IN PART NUMBER WITH DESIRED dB VALUE.

MATERIAL: SEE NOTES	DIMENSIONS ARE IN INCHES TOLERANCES: FRACTIONAL: ±1/64 ANGULAR: X° ±1'0" X"X' ±15'	UNLESS OTHERWISE SPECIFIED 1) ALL DIMENSIONS ARE IN INCHES (MILLIMETERS) 2) ALL DIMENSIONS ARE AFTER PLATING. 3) BREAK CORNERS & EDGES .005 R. MAX. 4) CHAM. 1ST & LAST THREADS. 5) SURFACE ROUGHNESS 63-MIL-STD-10. 6) DIA.'S ON COMMON CENTERS TO BE CONCENTRIC WITHIN .005 T.I.R. 7) REMOVE ALL BURRS	 Amphenol 2400 Centrepark West Drive, Suite 100 West Palm Beach, FL 33409 TITLE: SMA JACK TO PLUG DC-18.0 GHz ATTENUATOR
FINISH: SEE NOTES	DECIMAL: X ±.030 .XX ±.010 .XXX ±.005	INTERPRET DIMENSIONS AND TOLERANCES PER ASME Y14.5M - 1994	
SURFACE AREA: N/A	THIRD ANGLE PROJECTION	DRAWN: GPF 10/02/15	SIZE: B CAGE CODE: 95077 DWG. NO: SF0930-6200-XX
PROPRIETARY THE INFORMATION CONTAINED IN THIS DRAWING IS THE SOLE PROPERTY OF SV MICROWAVE, INC. ANY REPRODUCTION IN PART OR AS A WHOLE WITHOUT THE WRITTEN PERMISSION OF SV MICROWAVE, INC IS PROHIBITED.		CHECKED: DAL 10/02/15	SCALE: 4:1
		APPROVED: JM 03/18/96	SHEET 1 OF 1