



PART NAME

PI SERIES - ABS MOLDED ENCLOSURE

PART No.

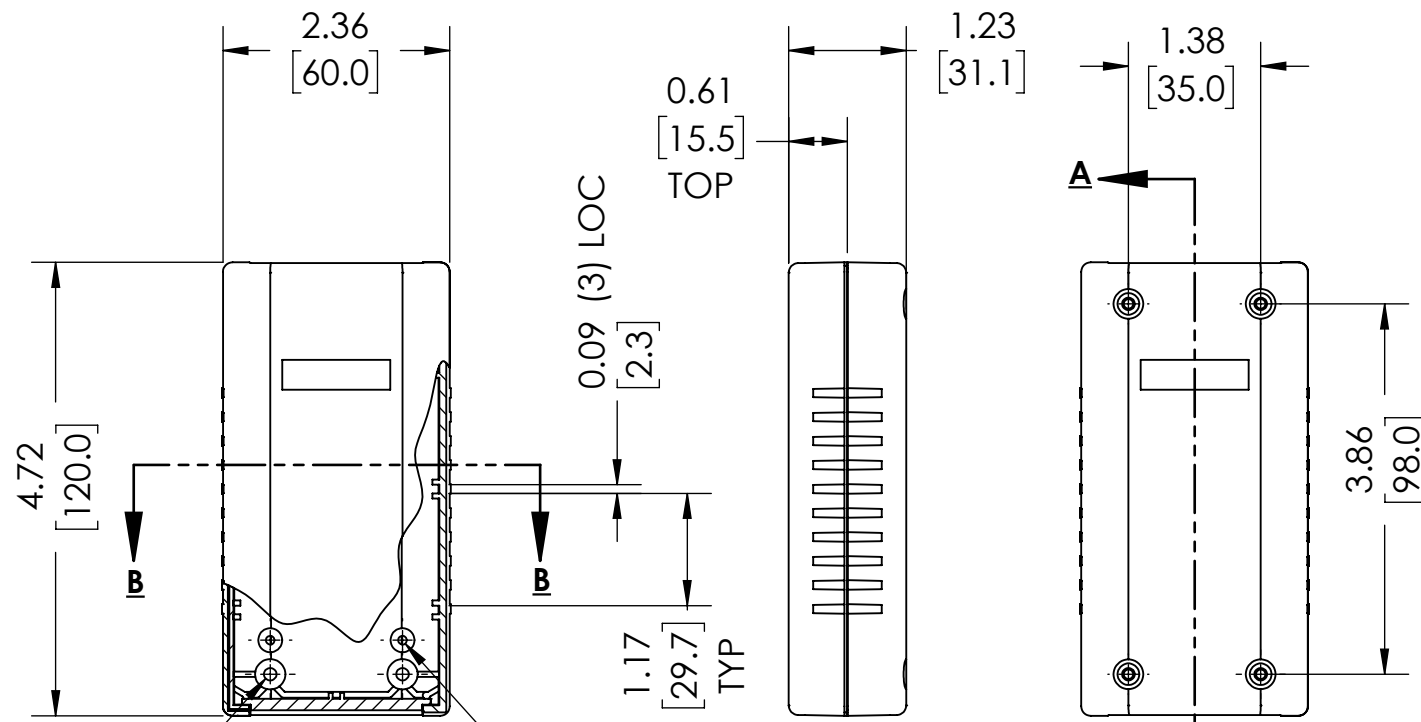
PI-1903 & PI-1903-LG

REVISION DATE

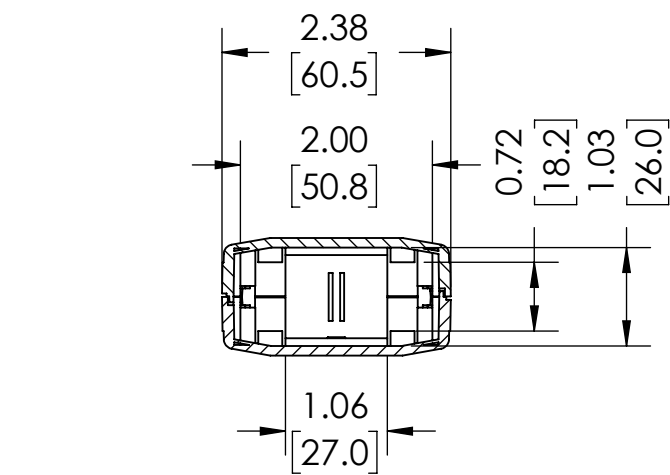
5/29/2018

DRAWING FOR REFERENCE

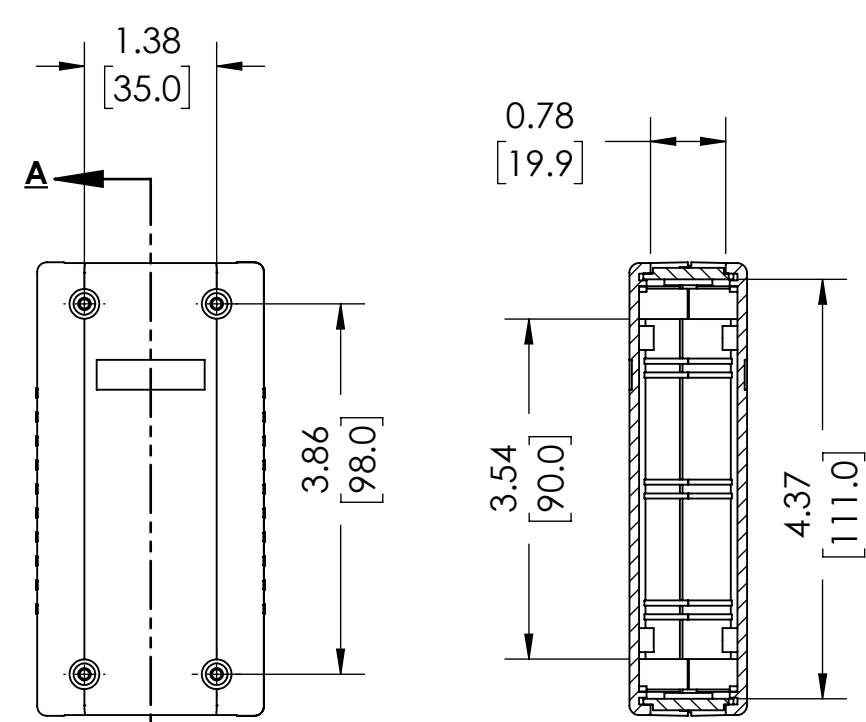
WE RESERVE THE RIGHT TO MAKE CHANGES TO OUR STANDARD PRODUCTS. PLEASE CONSULT WITH BUD INDUSTRIES PRIOR TO USING THIS DRAWING FOR DESIGN PURPOSE.



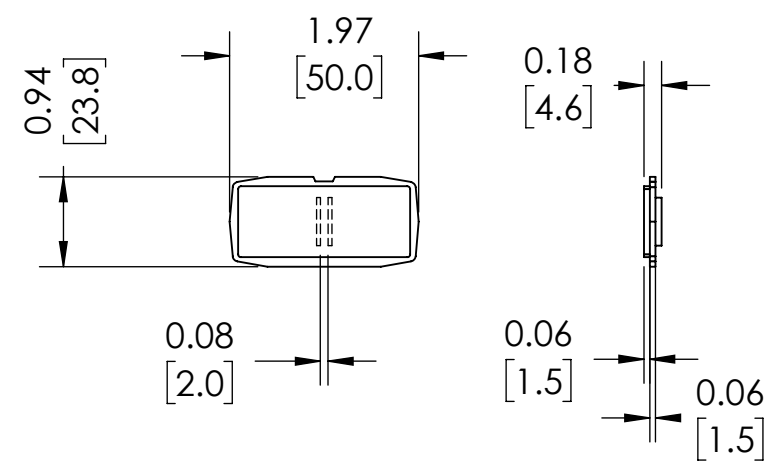
1.79 [45.5]
 .315 DIA BOSS WITH M3 X .25 INSERT (4)
 .25 DIA BOSS WITH .09 DIA HOLE X .16 DP MOUNTING BOSSES (4) SEE PCB BELOW FOR LOCATIONS - USE M2.5 OR #4 SHEET METAL SCREW (NOT SUPPLIED)



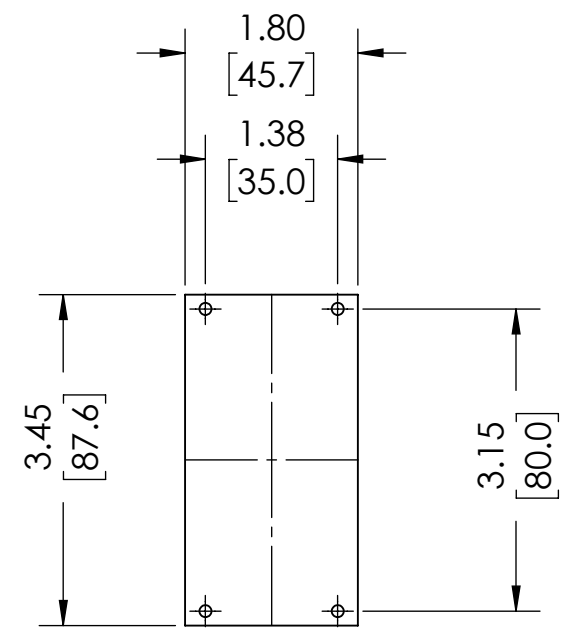
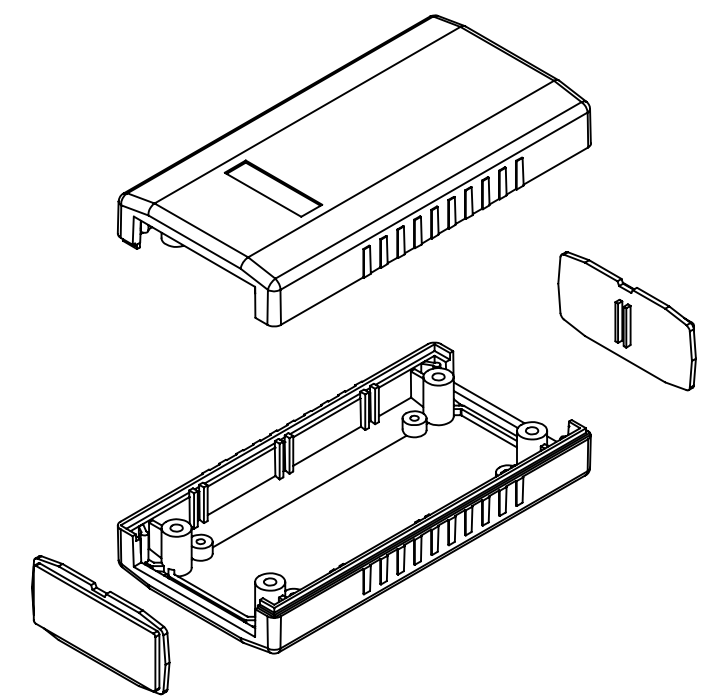
SECTION B-B



SECTION A-A



PANEL (2) PCS



SUGGESTED PCB LAYOUT

- NOTE:
- FOUR (4X) M3 X 20mm [0.79"] SCREWS SUPPLIED FOR ASSEMBLY
 - ALL OUTSIDE AND INSIDE LARGE SURFACES FOLLOW CONTOUR OF MAIN FACE

FOR ADDITIONAL PRODUCT INFORMATION AND ACCESSORIES VISIT WWW.BUDIND.COM

MATERIAL AND FINISH:
 NO SUFFIX - DARK GRAY ABS COVERS WITH LIGHT GRAY ABS END PANELS. UL94V-0 FLAMMABILITY RATING.
 SUFFIX -LG - LIGHT GRAY ABS COVERS WITH DARK GRAY ABS END PANELS. UL94-HB FLAMMABILITY RATING.