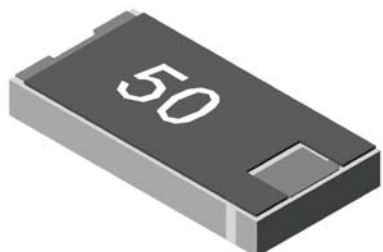


#### Description

The A16A50X4 is high performance Alumina (Al<sub>2</sub>O<sub>3</sub>) chip termination intended as a low cost alternative to Beryllium Oxide (BeO) and Aluminum Nitride (AlN). The termination is well suited to all cellular frequency bands such as; AMPS, GSM, DCS, PCS, PHS and UMTS. The medium power handling makes the part ideal for terminating circulators and for use in power combiners. The termination is also RoHS compliant!



#### Features:

- RoHS Compliant
- 16 Watts
- DC – 4.0 GHz
- Al<sub>2</sub>O<sub>3</sub> Ceramic
- Non-Nichrome Resistive Element
- Low VSWR
- 100% Tested
- Small Size

#### General Specifications

<b>Resistive Element</b>	Thick film
<b>Substrate</b>	Al <sub>2</sub> O <sub>3</sub> Ceramic
<b>Terminal Finish</b>	Matte Tin over Nickel Barrier
<b>Operating Temperature</b>	-55 to +150°C (see de-rating chart)

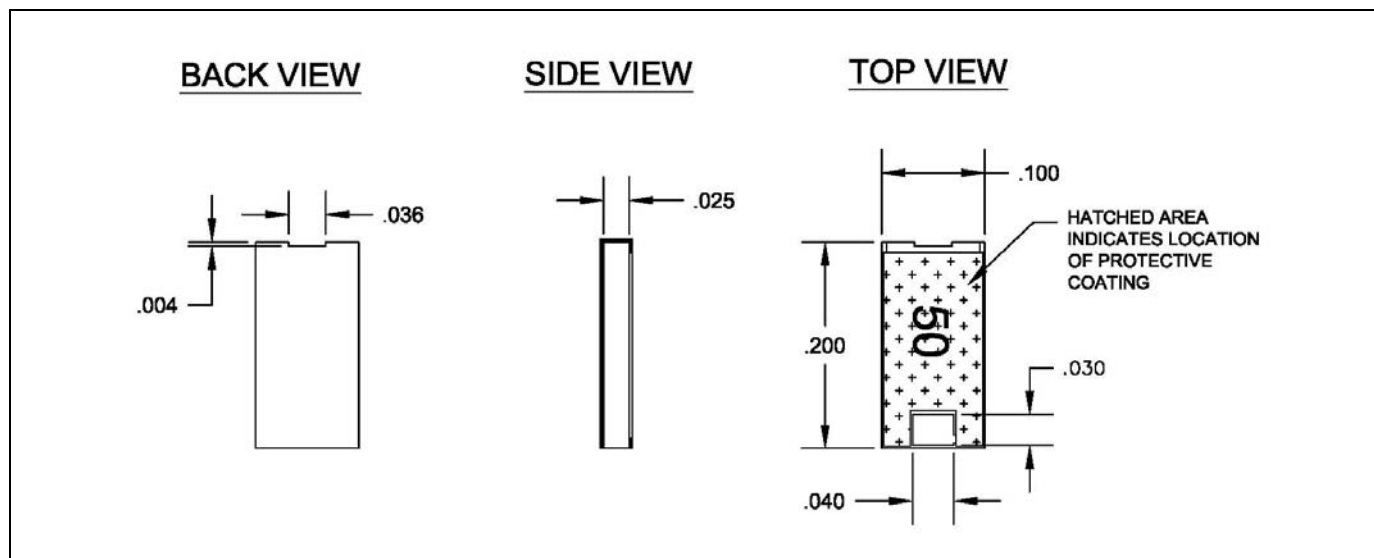
Tolerance is ±0.010", unless otherwise specified. Designed to meet or exceed applicable portions of MIL-E-5400. **All dimensions in inches.**

#### Electrical Specifications

<b>Resistance Value:</b>	50 Ohms, ± 2%
<b>Power:</b>	16 Watts
<b>Frequency Range:</b>	DC – 4.0 GHz
<b>Return Loss</b>	> 28 dB to 2.2 GHz > 25 dB to 2.7 GHz > 20 dB to 4.0 GHz

Specification based on unit properly installed using suggested mounting instructions and a 50 ohm nominal impedance. **Specifications subject to change.**

#### Outline Drawing

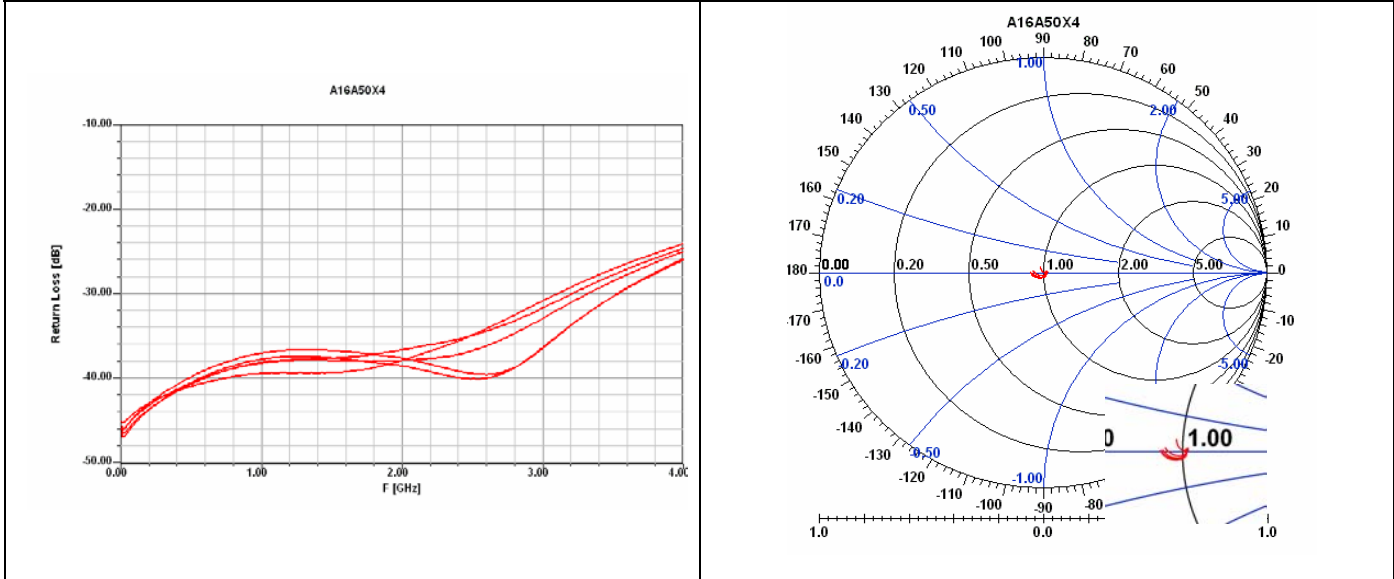


A16A50X4 (097) rev.E pg.1 of 2

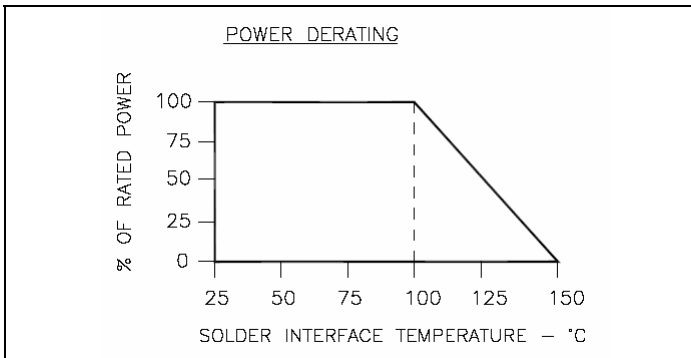




## Typical Performance:



## Power De-rating:



## Tape & Reel:

Available upon request.

## Mounting Footprint and Procedure:

1. MAKE SURE THAT THE DEVICES ARE MOUNTED ON FLAT SURFACES (.001" UNDER THE DEVICE) TO OPTIMIZE THE HEAT TRANSFER.
2. POSITION DEVICE ON MOUNTING SURFACE AND SOLDER IN PLACE USING A LEAD FREE TYPE OR SN96 TYPE SOLDER.
3. SOLDER LEADS IN PLACE USING AN SN96 TYPE SOLDER WITH A CONTROLLED TEMPERATURE IRON (250°C).

A16A50X4 (097) rev.E pg.2 of 2

USA/Canada: (315) 432-8909  
 Toll Free: (800) 544-2414  
 Europe: +44 2392-232392

Available on Tape and Reel For Pick and Place Manufacturing.



**Anaren**  
 What'll we think of next?™