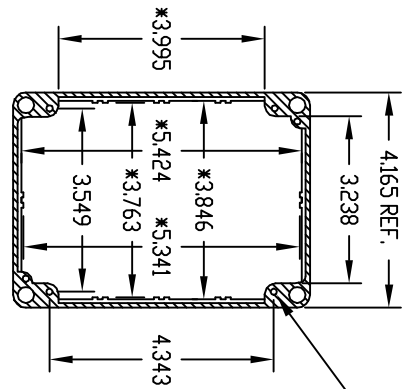


PART NAME

NEMA 4 ENCLOSURE

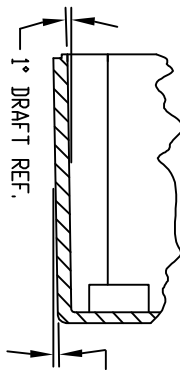
PART No.

AN-1305 & AN-1305-G

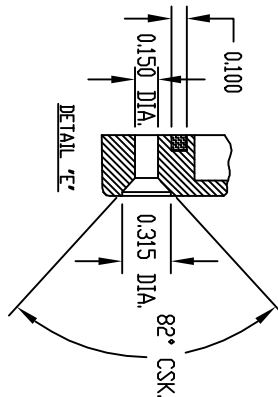


SECTION 'C-C'  
\* DIMENSIONS ARE AT BOTTOM OF ENCLOSURE

0.125 DIA. x 0.250 DEEP  
(4) HOLES  
ACCEPTS EITHER M3.5 METRIC OR #6 STD. SHEET METAL SCREWS x 0.250" LG. (NOT SUPPLIED)

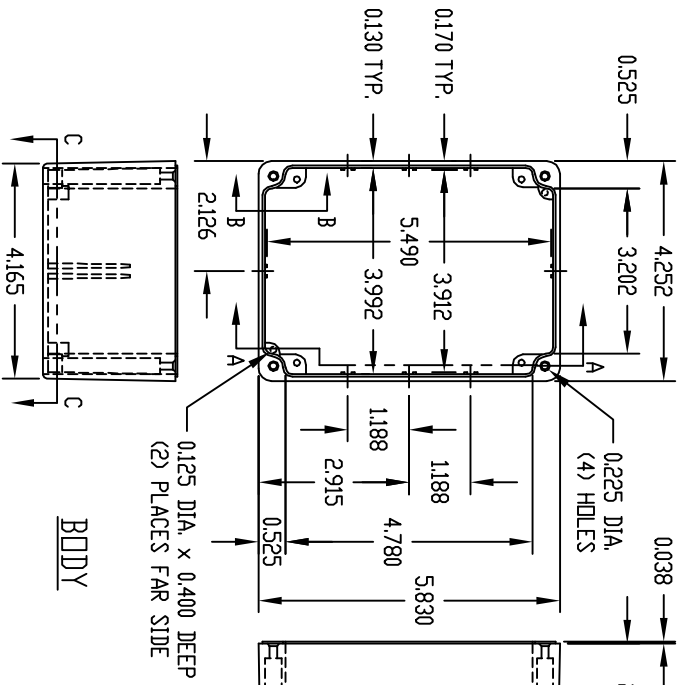


SECTION 'B-B'



DETAIL 'E'

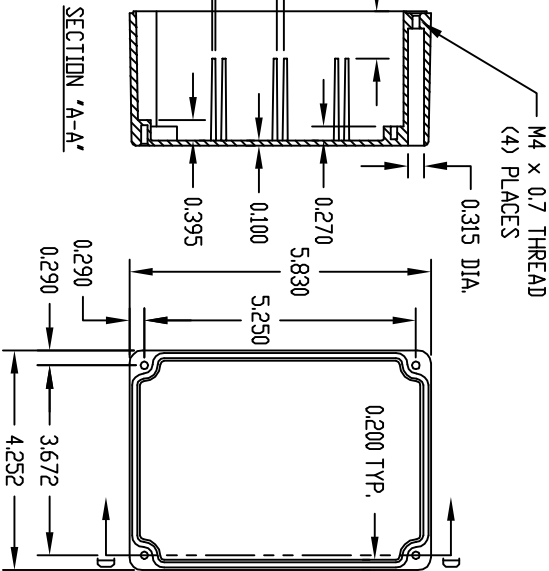
MATERIAL: ALUMINUM ALLOY #A380  
FINISH: NATURAL (NO SUFFIX)  
GRAY (SUFFIX -G)  
FOUR (4) M4 x 20mm (0.787") LG. SCREWS SUPPLIED FOR ASSEMBLY.  
TWO (2) M3.5 x 6mm LG. NICKEL PLATED SCREWS AND WASHERS SUPPLIED FOR GROUNDING  
ALL DIMENSIONS HAVE ±0.015 TOLERANCE UNLESS OTHERWISE SPECIFIED



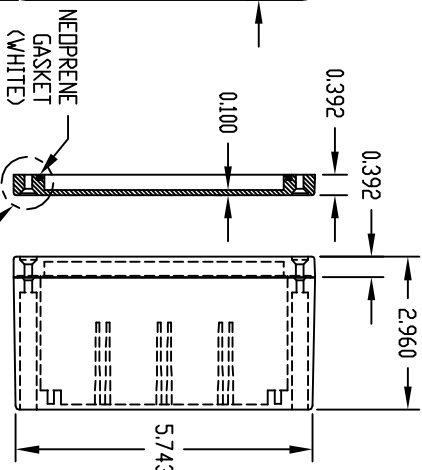
0.125 DIA. x 0.400 DEEP  
(2) PLACES FAR SIDE

BODY

SECTION 'A-A'



COVER



SECTION 'D-D'  
SEE DETAIL 'E'

NEDPRENE GASKET (WHITE)