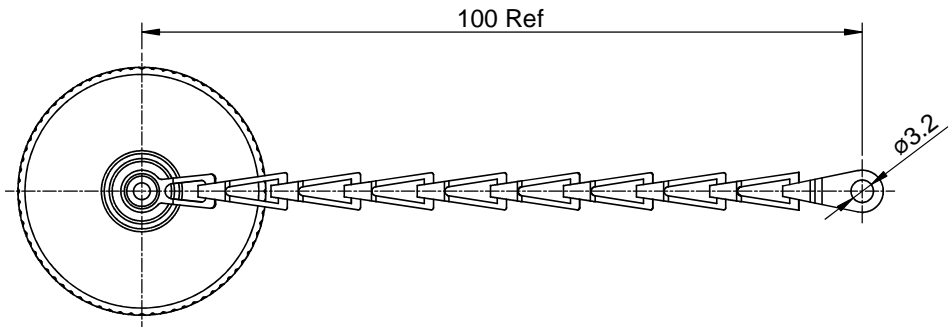
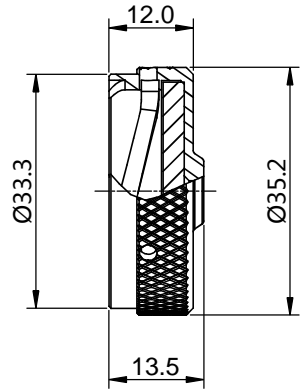


REVISIONS					
REV	ECO	DESCRIPTION	DATE	BY	APPR
B1	-	RELEASED DRAWING	JUN-23-2014	BEN	TOMMY



RT018DC X X  
① ②

P/N	①	②	CHAIN	PLATING
RT018DC	---	---	NO CHAIN	NICKEL PLTING
RT018DCA	---	A	NO CHAIN	BLACK ANODIZING
RT018DCG	G	---	CHAIN	NICKEL PLTING
RT018DCGA	G	A	CHAIN	BLACK ANODIZING

**NOTES : (UNLESS OTHERWISE SPECIFIED)**

- MATERIAL :**  
 RIVET : COPPER ALLOY,NICKEL PLATING  
 CHAIN : STAINLESS STEEL.  
 DUST CAP : AL ALLOY , NICKEL PLATED.  
 O-RING : NBR.
- SPECIFICATIONS :**  
 2.1 OPERATING TEMPERATURE : -40°C ~ +105°C.  
 2.2 IP--CLASS : IP67.  
 2.3 MATING CYCLES DURABILITY : 500 CYCLES MIN.  
 2.4 ROHS COMPLIANT.
- ALL DIMENSIONS ARE FOR REFERENCE USE ONLY.

SEE PART NUMBER CHART		DESCRIPTION		ITEM
QUANTITY	PART NUMBER	MATERIALS LIST		
UNLESS OTHERWISE SPECIFIED		SIGNATURES		DATE
1) All dimensions are in metric(mm).		DRAWN: BEN		JUN-23-2014
2) Tolerances are as follows:		CHECKED:		
1 PL DEC ±0.30   Fractions ±1/64		ENGINEER:		
2 PL DEC ±0.15   Angles ±1°		APPROVAL:		
3 PL DEC ±0.08		CUSTOMER:		
3) Note reference =		<p><b>Amphenol</b></p> <p>Sine Systems - www.amphenol-sine.com          44724 Morley Drive          Clinton Township, MI 48036</p>		
MATERIAL SPECIFICATIONS:		ECO-MATE,DUSTCAP FOR RECEPTACLES,SIZE 18		
PROCESS SPECIFICATIONS:		SIZE	TYPE	DWG NO.
NEXT ASSY:		B	C-	RT018DCxx
		SCALE	NONE	REVISION B1
				SHEET 1 OF 1

TITLE: ECO-MATE,DUSTCAP FOR RECEPTACLES,SIZE 18  
 DWG NO: RT018DCXX  
 REV: B1  
 SH: 1  
 OF: 1