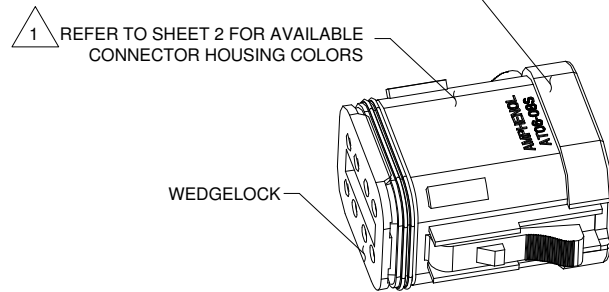
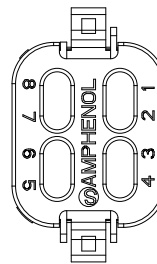
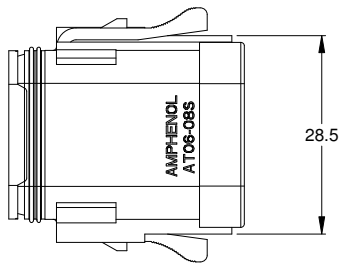
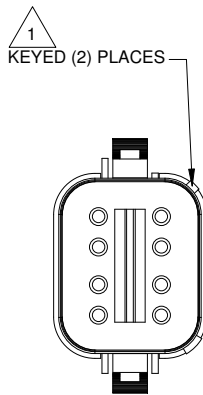


REVISIONS					
REV	ECO	DESCRIPTION	DATE	BY	APPR
A3	-	RELEASE NEW DWG FORMAT	03/JAN/14	ORION	-
A4	C0548S	ADD WEDGELOCK AND UPDATE DIMENSIONS	26JUN16	JONY	-



NOTES: UNLESS OTHERWISE SPECIFIED

1 SEE SHEET 2 FOR KEY ARRANGEMENTS AND COLORS.

2. MATERIAL:  
 HOUSING: THERMOPLASTIC  
 SEAL: SILICONE RUBBER  
 WEDGELOCK: THERMOPLASTIC
3. MODIFICATIONS: BLOCKED GROMMET

4. SPECIFICATIONS:
- 4.1 CURRENT RATING: 13 AMPS
  - 4.2 OPERATING TEMPERATURE: -55°C TO +125°C
  - 4.3 DIELECTRIC WITHSTANDING VOLTAGE: LESS THAN 2 MILLIAMPS CURRENT LEAKAGE @ 1500 VOLTS AC.
  - 4.4 INSULATION RESISTANCE: 1000 MEGOHMS MIN @ 25°C.
  - 4.5 MOISTURE RESISTANCE: IP67 ( MATED CONDITION )
  - 4.6 MATING CYCLE DURABILITY: 100 CYCLES
  - 4.7 RoHS COMPLIANT

5. MATING PART: AT04-08PX\* RECEPTACLE  
 ( X = A,B,C,D KEYS; \* = MODIFICATIONS AND COLORS )

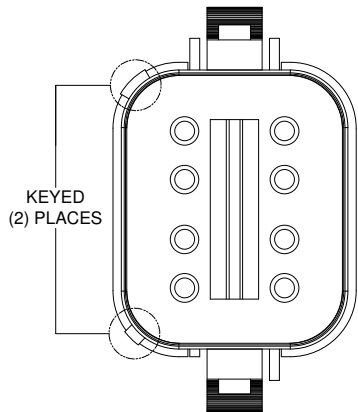
6. ALL DIMENSIONS ARE FOR REFERENCE USE ONLY.

SEE PART NUMBER CHART		DESCRIPTION		ITEM
QUANTITY	PART NUMBER	DESCRIPTION		ITEM
<b>MATERIALS LIST</b>				
UNLESS OTHERWISE SPECIFIED		SIGNATURES		DATE
1) All dimensions are in metric (mm).		DRAWN: ORIONLI		03/JAN/14
2) Tolerances are as follows:		CHECKED:		
1 PL DEC ±0.30		ENGINEER:		
2 PL DEC ±0.15		APPROVAL:		
3 PL DEC ±0.08		CUSTOMER:		
3) Note reference - $\triangle$		THIS DRAWING IS SUPPLIED FOR INFORMATION ONLY. DESIGN FEATURES, SPECIFICATIONS AND PERFORMANCE DATA SHOWN HEREON ARE THE PROPERTY OF THE AMPHENOL CORPORATION. NO RIGHTS OF REPRODUCTION ARE IMPLIED. ALL DIMENSIONS ARE SUBJECT TO NORMAL MANUFACTURING VARIATIONS.		
MATERIAL SPECIFICATIONS:		SIZE		TYPE
PROCESS SPECIFICATIONS:		B C-		DWG NO:
NEXT ASSY:		SCALE		NONE
		AT06-08SX-SS01		REVISION
		SHEET 1 OF 2		A4

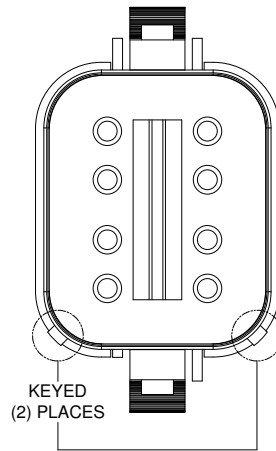
TITLE: PLUG & SOCKET, AT SERIES, KEYED, BLOCKED GROMMET  
 DWG NO.: AT06-08SX-SS01  
 REV: A4  
 SH: 1  
 OF: 2

REVISIONS					
REV	ECO	DESCRIPTION	DATE	BY	APPR

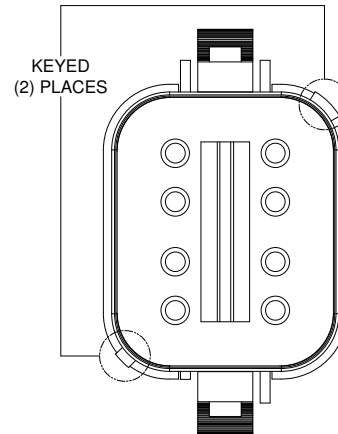
P/N AT06-08SA-SS01  
KEY-A CONFIGURATION  
STANDARD COLOR: GREY



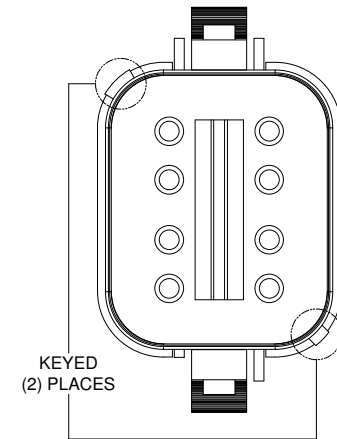
P/N AT06-08SB-SS01  
KEY-B CONFIGURATION  
STANDARD COLOR: BLACK



P/N AT06-08SC-SS01  
KEY-C CONFIGURATION  
STANDARD COLOR: GREEN



P/N AT06-08SD-SS01  
KEY-D CONFIGURATION  
STANDARD COLOR: BROWN



KEY-A CONFIGURATION	
COLOR	PART NUMBER
<b>* GREY</b>	<b>AT06-08SA-SS01</b>
BLACK	AT06-08SA-SSBLK
GREEN	AT06-08SA-SSGRN
BROWN	AT06-08SA-SSBRN

KEY-B CONFIGURATION	
COLOR	PART NUMBER
GREY	AT06-08SB-SSGRY
<b>* BLACK</b>	<b>AT06-08SB-SS01</b>
GREEN	AT06-08SB-SSGRN
BROWN	AT06-08SB-SSBRN

KEY-C CONFIGURATION	
COLOR	PART NUMBER
GREY	AT06-08SC-SSGRY
BLACK	AT06-08SC-SSBLK
<b>* GREEN</b>	<b>AT06-08SC-SS01</b>
BROWN	AT06-08SC-SSBRN

KEY-D CONFIGURATION	
COLOR	PART NUMBER
GREY	AT06-08SD-SSGRY
BLACK	AT06-08SD-SSBLK
GREEN	AT06-08SD-SSGRN
<b>* BROWN</b>	<b>AT06-08SD-SS01</b>

NOTE:

AN ASTERISKS ( \* ) PLACED BEFORE THE COLOR DENOTES THE STANDARD MOLDED COLOR OF THE CONNECTORS SHOWN ABOVE. STRAIN RELIEF END CAPS ARE AVAILABLE IN BLACK ONLY.

OTHER COLORS SHOWN ARE AVAILABLE VIA SPECIAL ORDER.

QUANTITY	PART NUMBER	DESCRIPTION	ITEM
<b>MATERIALS LIST</b>			
UNLESS OTHERWISE SPECIFIED 1) All dimensions are in metric (mm). 2) Tolerances are as follows: 1 PL DEC ±0.30 2 PL DEC ±0.15 3 PL DEC ±0.08 Fractions ±1/64 Angles ±1°		SIGNATURES DATE DRAWN: ORIONLI 03/JAN/14	
MATERIAL SPECIFICATIONS:		CHECKED:	
PROCESS SPECIFICATIONS:		ENGINEER:	
NEXT ASSY:		APPROVAL:	
		CUSTOMER:	
		THIS DRAWING IS SUPPLIED FOR INFORMATION ONLY. DESIGN FEATURES, SPECIFICATIONS AND PERFORMANCE DATA SHOWN HEREON ARE THE PROPERTY OF THE AMPHENOL CORPORATION. NO RIGHTS OF REPRODUCTION ARE IMPLIED. ALL DIMENSIONS ARE SUBJECT TO NORMAL MANUFACTURING VARIATIONS.	
		<p style="text-align: center;"><b>Amphenol</b></p> <p style="text-align: center;">Sine Systems - www.amphenol-sine.com 44724 Morley Drive Clinton Township, MI 48036</p>	
		<p style="text-align: center;">PLUG, 8 SOCKET, AT SERIES, KEYED, BLOCKED GROMMET</p>	
		SIZE: <b>B C-</b>	REVISION: <b>A4</b>
		SCALE: NONE	SHEET 2 OF 2

TITLE: PLUG & SOCKET, AT SERIES, KEYED, BLOCKED GROMMET DWG NO: AT06-08SX-SS01 REV: A4 SH: 2 OF: 2